

<http://www.parsun.com.cn>

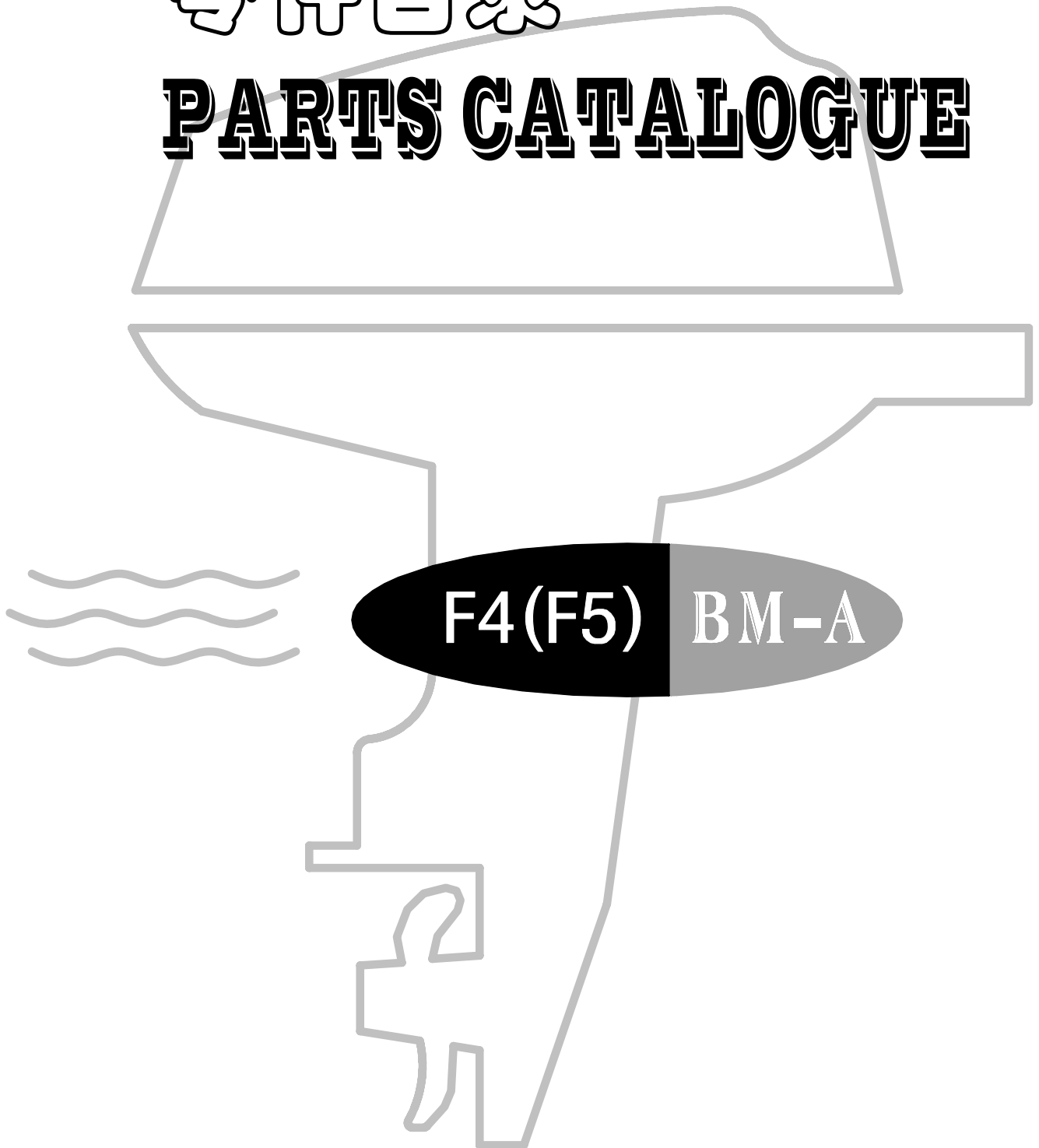
PARSUN

2010

百胜

零件目录

PARTS CATALOGUE



苏州百胜动力机器有限公司

SUZHOU PARSUN POWER MACHINE CO., LTD

目录 CONTENTS

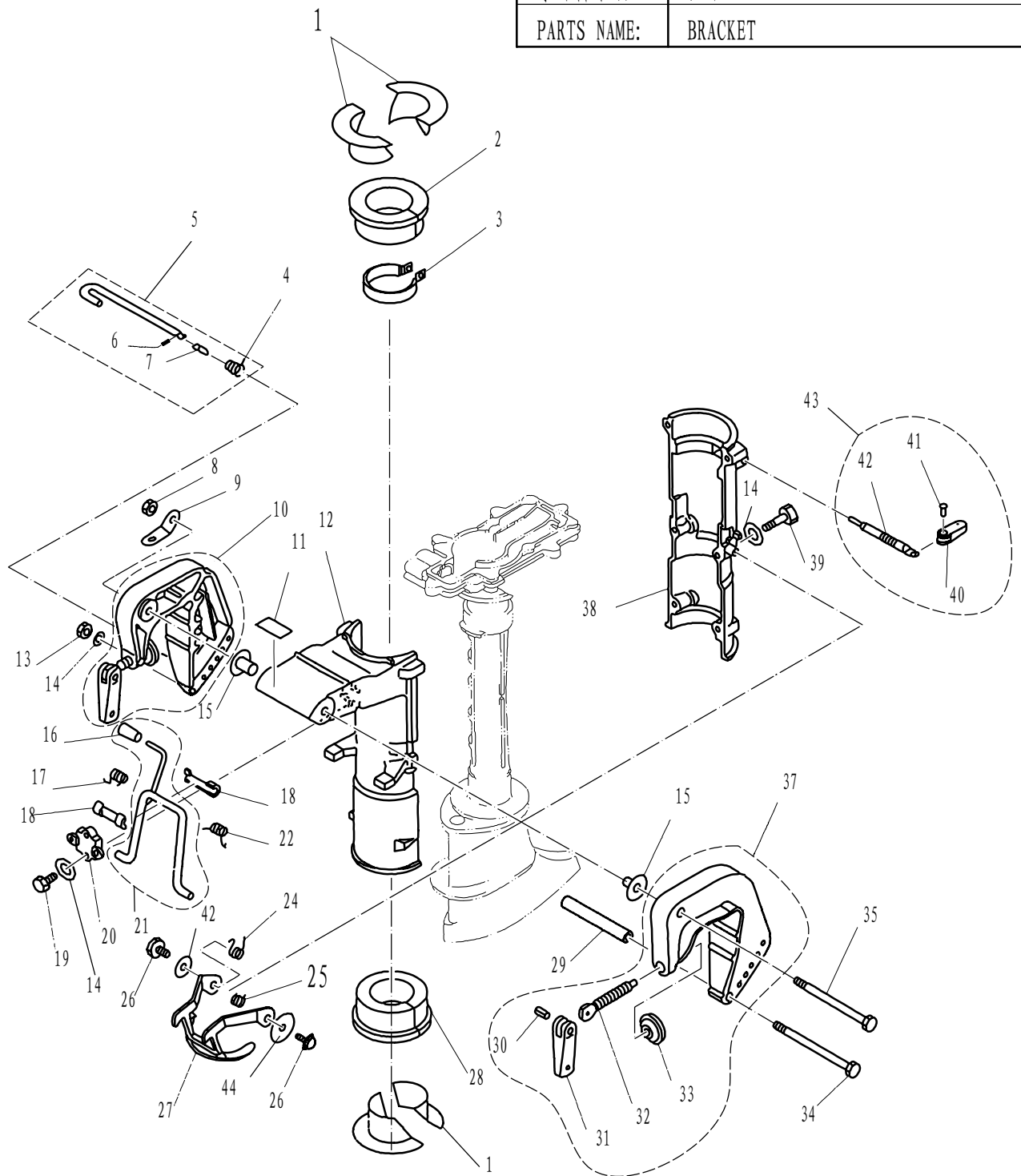
控制系统	1
CONTROL	1
托架	2~3
BRACKET	2~3
操舵系统	4~5
STEERING	4~5
水上装置壳体	6
UPPER CASING	6
水下驱动组件	7~8
LOWER DRIVE ASSY	7~8
水下装置壳体&驱动系统	9
LOWER CASING & DRIVE	9
点火系统	10
IGNITOR ASSY	10
气缸&曲轴箱1	11~12
CYLINDER & CRANKCASE 1	11~12
曲轴&活塞	13
CRANKSHAFT & PISTON	13
凸轮轴&阀门	14
CAMSHAFT & VALVE	14
气缸&曲轴箱2	15
CYLINDER & CRANKCASE 2	15
燃油系统	16~17
FUEL	16~17
进气系统	18
INTAKE	18
内燃油箱	19
INNER FUEL TANK	19
起动机组件	20~21
STARTER	20~21
底罩	22
BOTTOM COWLING	22
顶罩	23
TOP COWLING	23
外燃油箱 (12L)	24
OUTER FUEL TANK (12L)	24
气缸头总成 (修理件)	I
CYLINDER HEAD ASSY (REPAIR KIT)	I
发动机头组件 (修理件)	II~IV
ENGINE ASSY (REPAIR KIT)	II~IV
附录 (修理件)	V~VI
APPENDIX (REPAIR KIT)	V~VI

零部件名称:

托架

PARTS NAME:

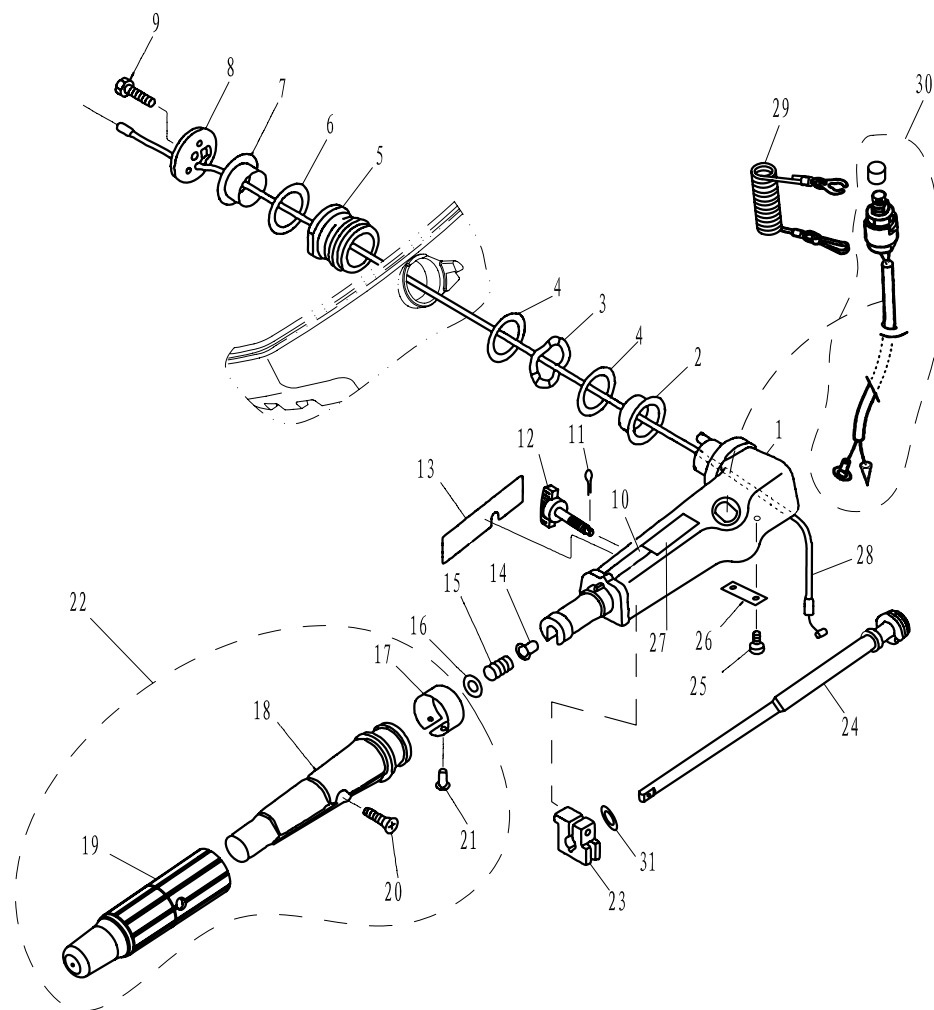
BRACKET



SN. 参照号码	PART NO. 零件编号	DESCRIPTION 零件名称 (中文)	DESCRIPTION 零件名称 (英文)	QTY 数量				REMARKS 备注
1	F4-0200008	减震圈衬管	BUSH , SHOCK ABSORPTION	4				
2	F4-0200007	上减震圈	TOP , SHOCK ABSORPTION	1				
3	F4-0202000	水上装置锁紧圈组件	UPPER LOCKING RING ASSY	1				
4	F4-01050002	锥形弹簧	SPRING , CONICAL	1				
5	F4-01050000	角度调整杆组件	TILT ROD ASSY	1				

零部件名称: 操舵系统

PARTS NAME: STEERING



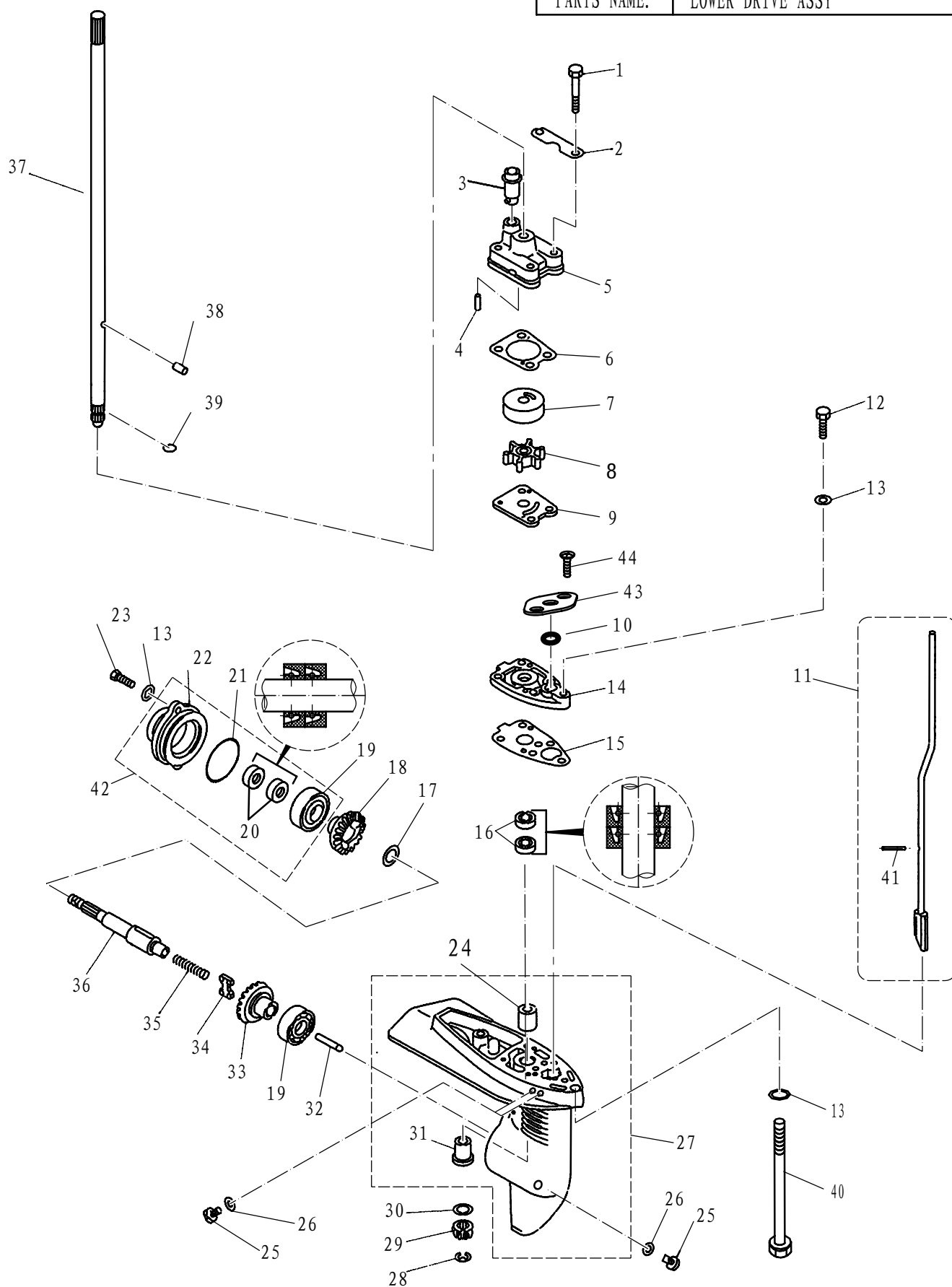
SN. 参照号码	PART NO. 零件编号	DESCRIPTION 零件名称(中文)	DESCRIPTION 零件名称(英文)	QTY 数量				REMARKS 备注
1	F4-01090001	操舵手柄	HANDLE, STEERING	1				
2	F4-01000009	操舵手柄衬套A	BUSGING, HANDTE A	1				
3	F4-01000012	手柄衬套波形垫圈	BUSH	1				
4	F4-01000010	衬套垫圈B	WASHER, BUSHING B	2				
5	F4-05000014	操舵手柄减震器	BUSHING, RABBER	1				
6	F4-01000011	衬套垫圈A	WASHER BUSHING A	1				
7	F4-01000008	操舵手柄衬套B	BUSHING	1				
8	F4-01000014	操舵手柄盖板	COVER, HANDLE STEERING	1				
9	GB/T5783-M8x25	六角头螺栓M8x25	BOLT M8 × 25	1				
10	F4-08000014	标贴14	MARK 14	1				
11	GB/T91-1.6x12	开口销φ1.6x12	PIN, COTTER φ1.6x12	1				
12	F4-01090200	阻力调整旋钮组件	BOLT, FRICTION ADJUSTING	1				
13	F4-08000012	标贴12	MARK 12	1				
14	F4-01090006	衬套	BUSH	1				
15	F4-01090007	压缩弹簧	SPRING, COMPRESSION	1				
16	GB/T848-10	小垫圈10	SMALL WASHER 10	1				
17	F4-01090303	油门标志牌	INDICATOR THROTTLE	1				
18	F4-01090301	操舵手柄塑胶套	GRIP, STEERING HARDLE	1				
19	F4-01090302	操舵手柄橡胶套	RUBBER, HANDLE	1				
20	GB/T820-M5x25	十字槽半沉头螺钉M5x25	SCREW M5 × 25	1				

零部件名称:

水下驱动组件

PARTS NAME:

LOWER DRIVE ASSY



SN. 参照号码	PART NO. 零件编号	DESCRIPTION 零件名称 (中文)	DESCRIPTION 零件名称 (英文)	QTY 数量					REMARKS 备注
1	GB/T5782-M6x45	六角头螺栓M6×45	BOLT M6×45	4					
2	F4-0300020	泵壳固定板	PLATE , WATER PUMP FIXED	2					

零部件名称:

水下驱动组件

PARTS NAME:

LOWER DRIVE ASSY

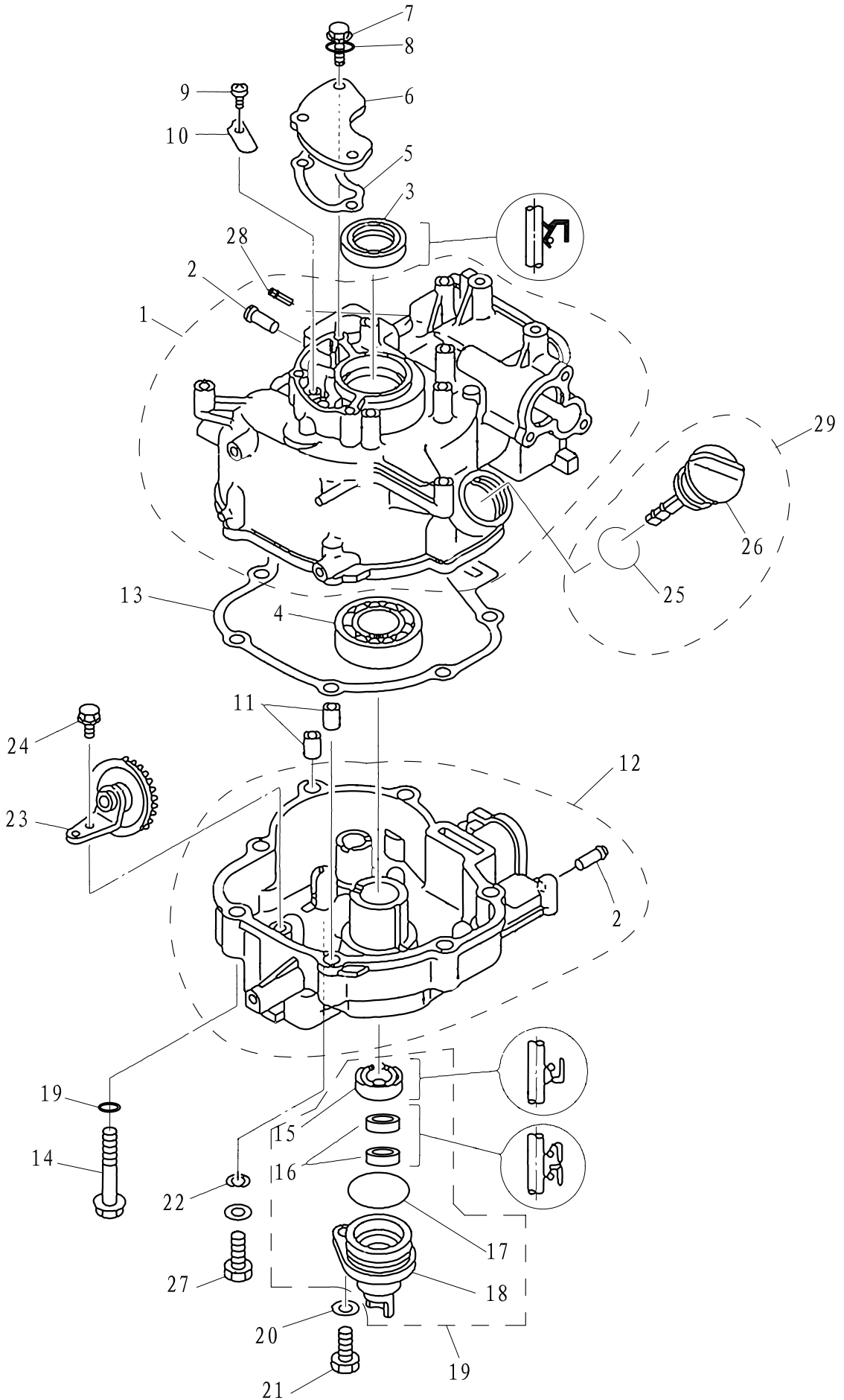
SN. 参照号码	PART NO. 零件编号	DESCRIPTION 零件名称(中文)	DESCRIPTION 零件名称(英文)	QTY 数量					REMARKS 备注
3	F4-03000021	泵壳橡胶管	RUBBER TUBE ,WATER PUMP	1					
4	F4-03000013	水泵座定位销	PIN ,WATER PUMP	2					
5	F4-03000019	水泵壳	HOUSING ,WATER PUMP	1					
6	F4-03000018	泵壳密封垫	GASKET ,WATER PUMP COVER	1					
7	F4-03000017	水泵内壳	COVER ,INNER WATER PUMP	1					
8	F4-03060000	水泵叶轮	IMPELLER ,WATER PUMP	1					
9	F4-03000015	外档板	OUT PLATE	1					
10	F2.6-03000009	O形密封圈	O-RING	1					
11	F4-03020000	变档凸轮组件	CAM ASSY ,SHIFT ROD	1					L
	F4-03020000S	变档凸轮组件	CAM ASSY ,SHIFT ROD	1					S
12	GB/T5783-M6x25	六角头螺栓M6×25	BOLT M6×25	1					
13	GB/T97.1-6	平垫圈6	WASHER 6	5					
14	F4-03000012	水泵座	BASE ,WATER PUMP	1					
15	F4-03000011	水泵座密封垫	HERMETIC GASKET	1					
16	F4-03000027	油封 10.8×21×7	OIL SEAL	2					
17	F4-03000009	倒档齿轮垫圈	WASHER ,REVERSE GEAR	1					
18	F4-03040000	倒档齿轮组件	REVERSE GEAR ASSY	1					
19	GB/T276-6004C2	深沟球轴承6004C2	BEARING 6004C2	2					
20	F4-03050002	油封13×22×7	OIL SEAL	2					
21	JISB2401-P48	水下装置壳体盖O形圈	O-RING P48	1					
22	F4-03050001	水下装置壳体盖	COVER ,LOWER CASING	1					
23	GB/T5783-M6x20	六角头螺栓M6×20	HEXAGON BOLT M6×20	2					
24	F4-03000003	不带档边筒形轴承	BEARING	1					
25	F4-03000023	注油孔螺塞	PLUG ,OIL HOLE	3					
26	F4-03000024	注油孔螺塞密封垫	GASKET	3					
27	F4-03000001	水下装置壳体	LOWER CASING	1					
28	GB/T896-6	开口档圈6	CIRCLIP 6	1					
29	F4-03000007	主动齿轮	INITIATIVE GEAR	1					
30	F4-03000006	主动齿轮垫圈	WASHER ,INITIATIVE GEAR	1					
31	F4-03000002	带档边筒形轴承	BEARING	1					
32	F4-03000008	变档柱塞	PLUGER ,SHIFT	1					
33	F4-03010000	正档齿轮组件	POSITIVE GEAR ASSY	1					
34	F4-03030002	离合器块	CLUTCH BLOCK	1					
35	F4-03030003	离合器块压簧	SPRING ,CLUTCH BLOCK	1					
36	F4-03030001	螺旋桨轴	SHAFT ,PROPELLER	1					
37	F4-03000004	驱动轴	SHAFT ,DRIVE	1					L
	F4-03000004S	驱动轴	SHAFT ,DRIVE	1					S
38	F4-03000016	叶轮定位销	PIN	2					
39	F4-03000005	轴用钢丝档圈	CLIP	1					
40	GB/T5782-M6x170	六角头长螺栓M6×170	BOLT M6×170	2					L (S: M6×40)
41	GB/T879.4-1.5x20	弹性圆柱销 φ1.5×20	PIN ,SPRING φ1.5×20	1					
42	F4-03050000	水下装置壳体盖组件	COVER ASSY,LOWER CASING	1					
43	F4-03000028	O形圈档板	PLATE,O-RING	1					
44	GB/T818-M5x6	十字槽盘头螺钉 M5x6	BOLT M5x6	2					

零部件名称:

气缸&曲轴箱1

PARTS NAME:

CYLINDER & CRANKCASE 1

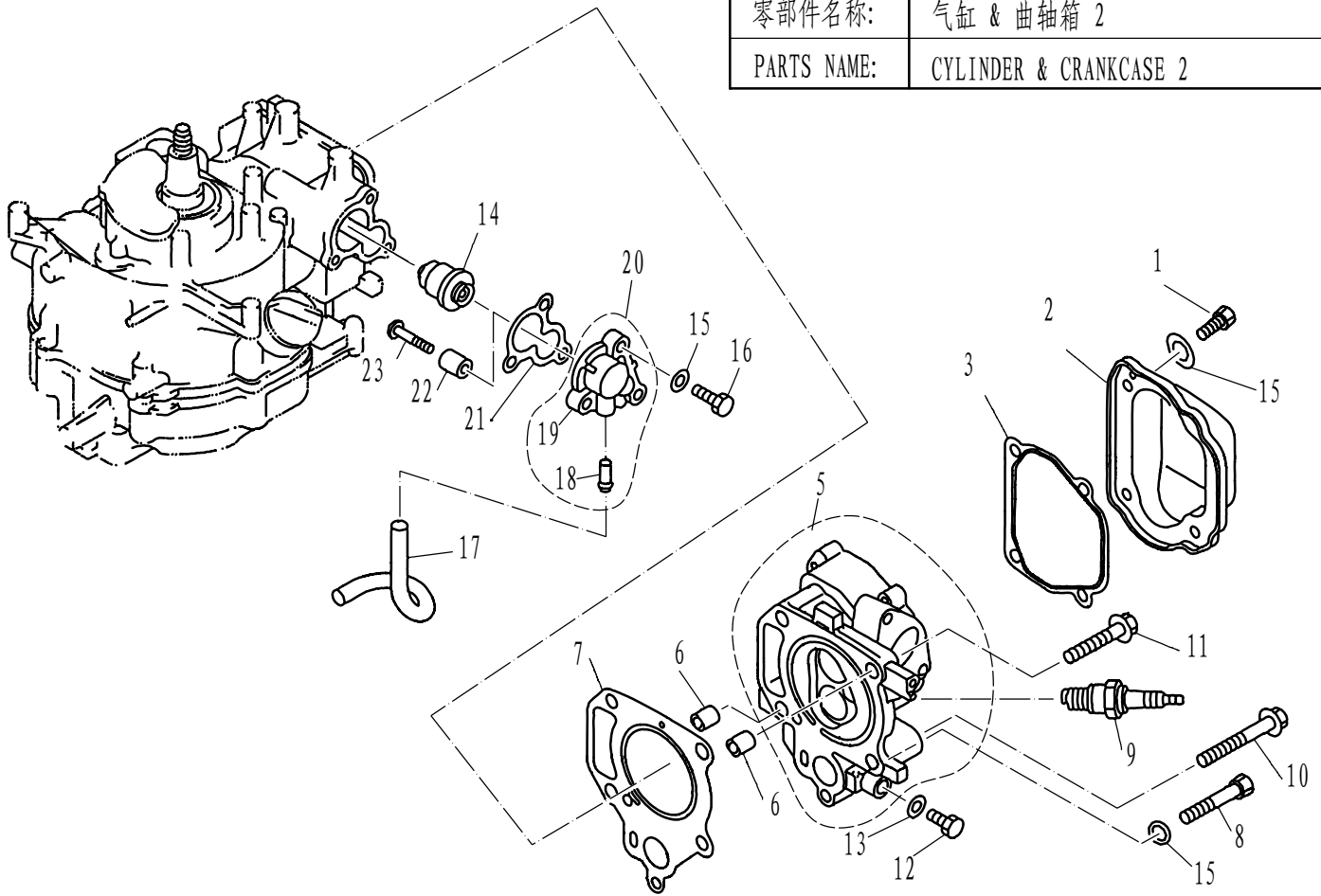


零部件名称:

气缸 & 曲轴箱 2

PARTS NAME:

CYLINDER & CRANKCASE 2



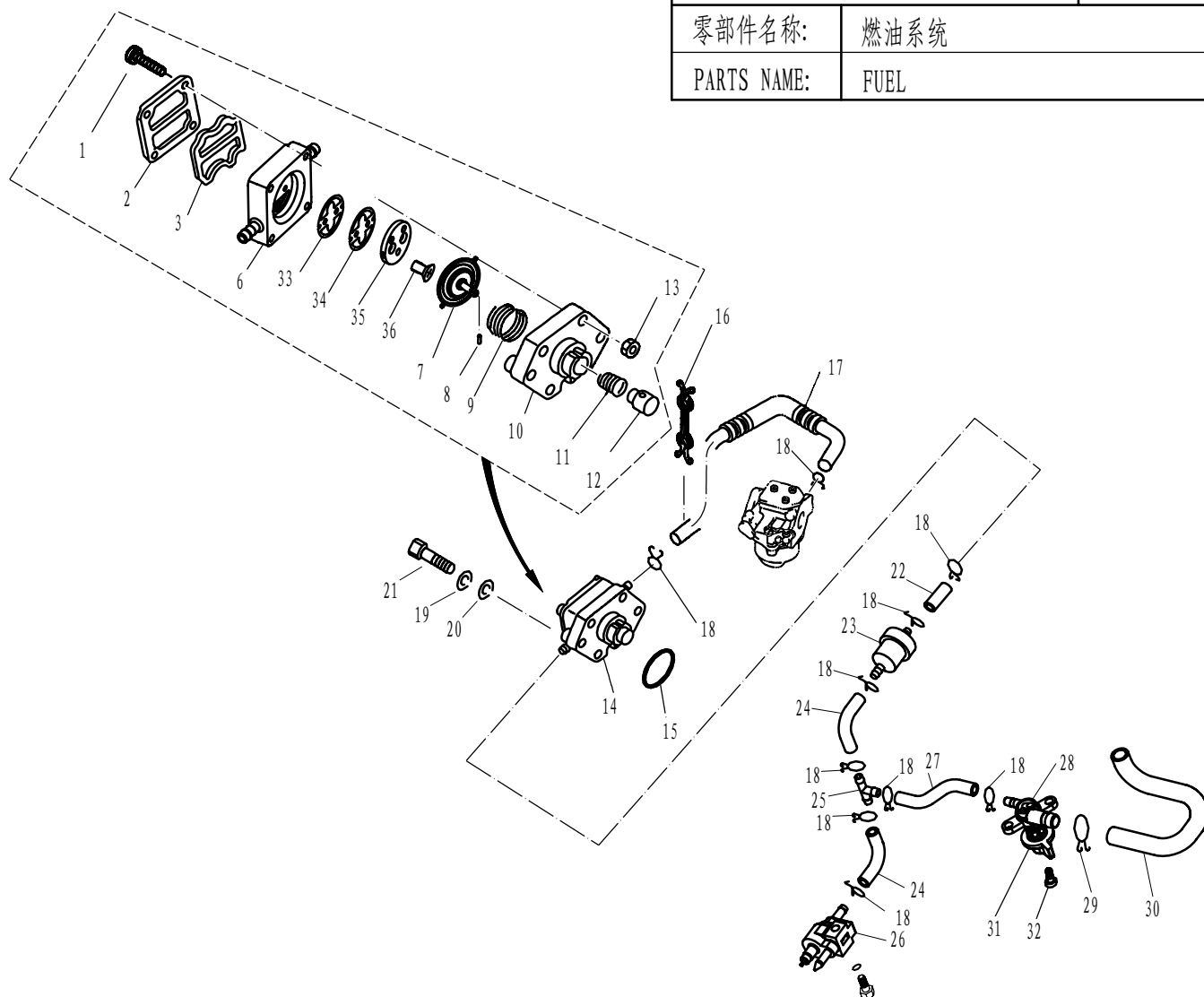
SN. 参照号码	PART NO. 零件编号	DESCRIPTION 零件名称 (中文)	DESCRIPTION 零件名称 (英文)	QTY 数量					REMARKS 备注
1	GB/T5783-M6x16	六角头螺栓M6×16	BOLT M6×16	4					
2	F4-04000018	缸头罩	COVER ,CYLINDER HEAD	1					
3	F4-04000017	缸头罩密封垫	GASKET ,CYLINDER COVER	1					
4									
5	F4-04080100	气缸头组件	CYLINDER HEAD ASSY	1					
6	F4-04000003	空心定位销	PIN ,HOLLOW	2					
7	F4-04000014	缸头复合垫	GASKET ,CYLINDER HEAD	1					
8	GB/T5782-M6x45	六角螺栓M6×45	BOLT M6x45	1					
9	BPR7HS	火花塞	PLUG ,SPARK	1					
10	F4-04000034	气缸头螺栓B	BOLT ,CYLINDER HEAD "A"	3					
11	F4-04000033	气缸头螺栓A	BOLT ,CYLINDER HEAD "B"	1					
12	GB/T5783-M8x14	六角螺栓 M8x14	BOLT M8x14	1					
13	F4-04000006	放油螺栓密封垫	WASHER , BOLT	1					
14	T15-04000010	节温器	THERMOSTAT	1					
15	GB/T97.1-6	平垫圈6	WASHER 6	8					
16	GB/T5783-M6x20	六角头螺栓M6×20	BOLT M6×20	3					
17	F4-04000012	回水管	PIPE ,RETURN	1					
18	F4-04010002	水咀	SPILE WATER	1					
19	F4-04070001	节温器盖	COVER ,THERMOSTAT	1					
20	F4-04070100	节温器盖水咀组件	COVER AND SPILE WATER ASSY	1					
21	F4-04000011	节温器盖密封垫	GASKET ,THERMOSTAT	1					
22	F4-04070003	节温器盖阳极	ANODE	1					
23	GB/T818-M5x25	十字槽盘头螺钉M5×25	SCREW ,PAN HEAD M5×25	1					

零部件名称:

燃油系统

PARTS NAME:

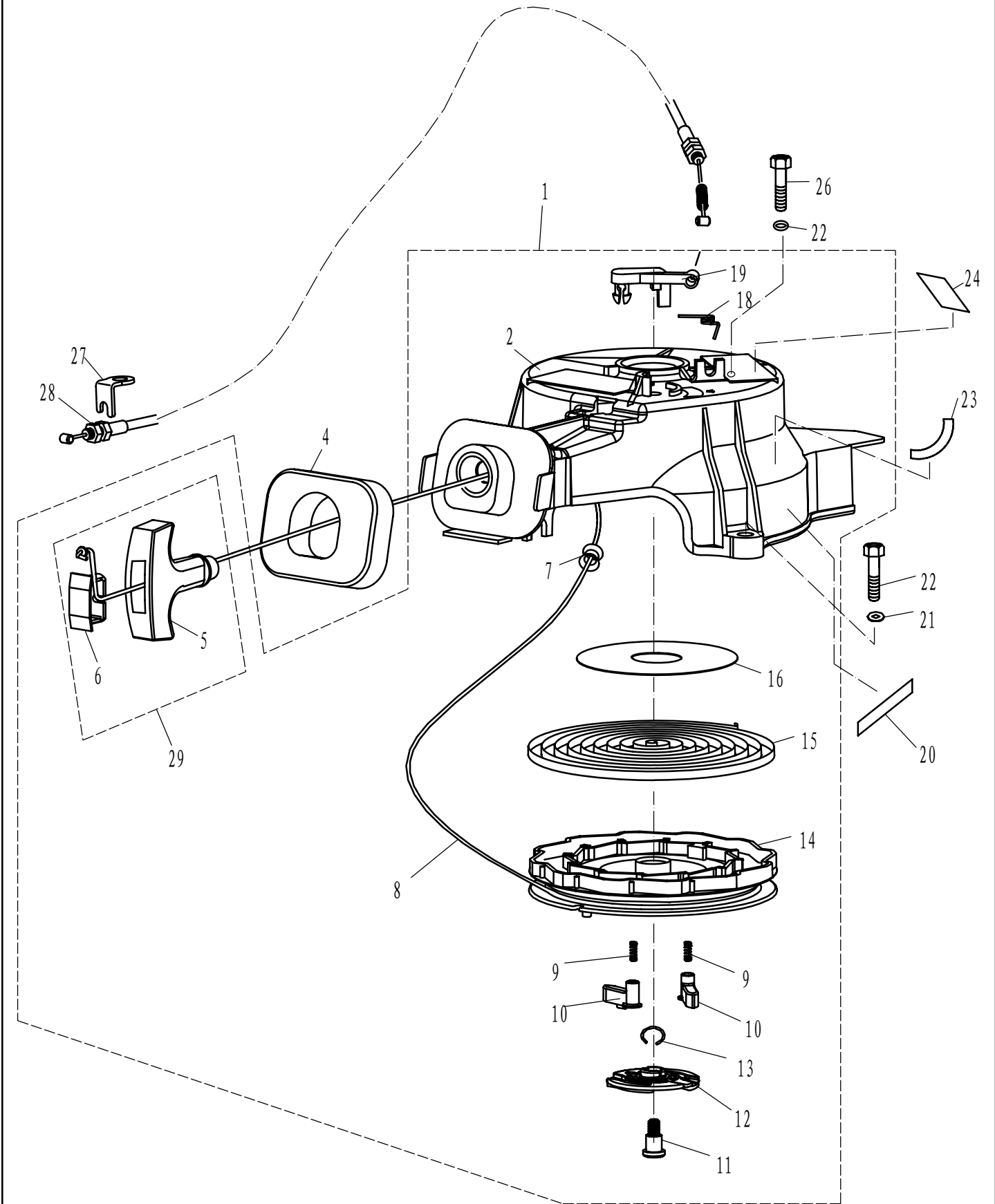
FUEL



SN. 参照号码	PART NO. 零件编号	DESCRIPTION 零件名称(中文)	DESCRIPTION 零件名称(英文)	QTY 数量				REMARKS 备注
1	GB/T823-M4x25	十字槽小盘头螺钉M4×25	SCREW ,SMALL PAN HEAD M4×25	4				
2	F4-04090003	燃油泵盖	COVER ,FUEL PUMP	1				
3	F4-04090004	上隔膜	DIAPHRAGM ,TOP	1				
4								
5								
6	F4-04090100A	燃油泵壳	FUEL PUMP SHELL	1				
7	F4-04090100	隔膜组件	DIAPHRAGM ASSY	1				
8	GB/T309-3x12	滚针φ3×12	ROLLER NEEDLE φ3×12	1				
9	F4-04090008	隔膜弹簧	SPRING ,DIAPHRAGM	1				
10	F4-04090001	燃油泵座	SEAT ,FUEL PUMP	1				
11	F4-04090007	柱塞弹簧	SPRING ,PLUNGER	1				
12	F4-04090006	柱塞	PLUNGER	1				
13	GB/T6170-M4	螺母M4	NUT M4	4				
14	F4-04090000	燃油泵组件	FUEL PUMP ASSY	1				
15	F4-04090009	燃油泵座O形圈	O-RING	1				
16	F4-04000031-2	尼龙管夹(B)	CLIP ,NYLON "B"	1				
17	F4-04000028	燃油管E	PIPE ,FUEL "E"	1				φ10×φ5×260
18	F4-04000030	油管夹簧B	SPRING ,FUEL PIPE "B"	9				
19	GB/T93-6	弹簧垫圈6	WASHER ,SPRING 6	2				
20	GB/T97.1-6	平垫圈6	WASHER 6	2				

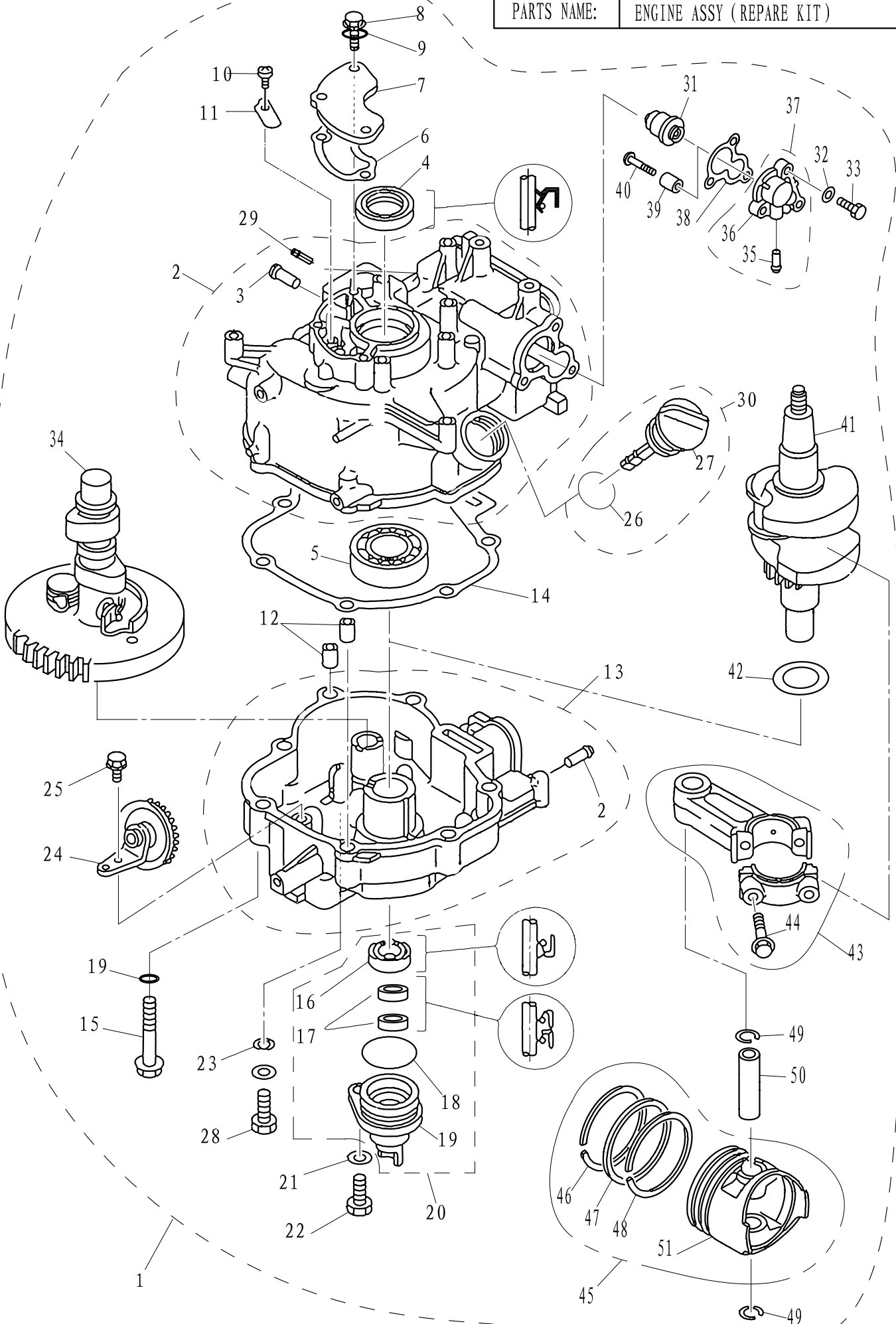
零部件名称: 起动器组件

PARTS NAME: STARTER



零部件名称: 发动机头组件 (修理件)

PARTS NAME: ENGINE ASSY (REPAIR KIT)



零部件名称:

发动机头组件(修理件)

PARTS NAME:

ENGINE ASSY (REPAIR KIT)

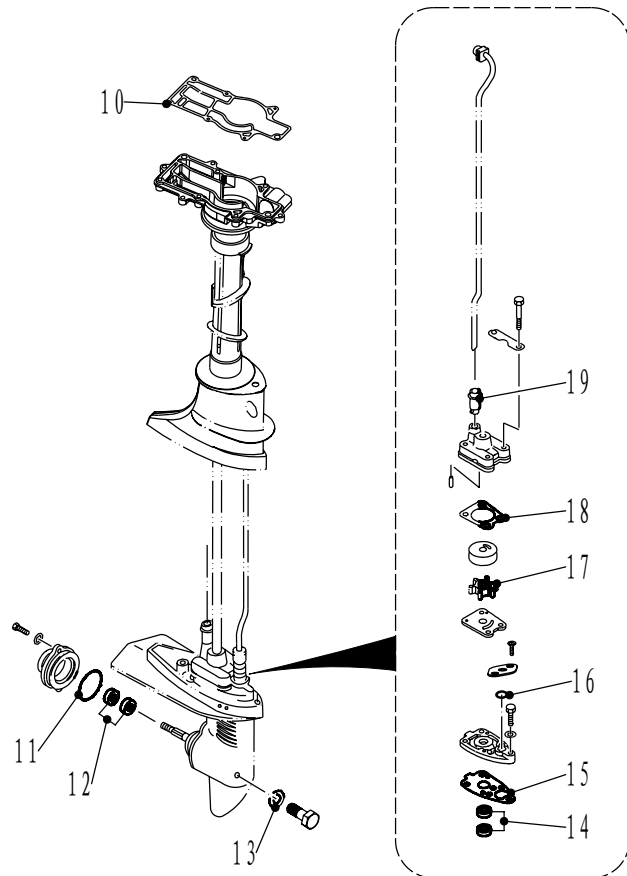
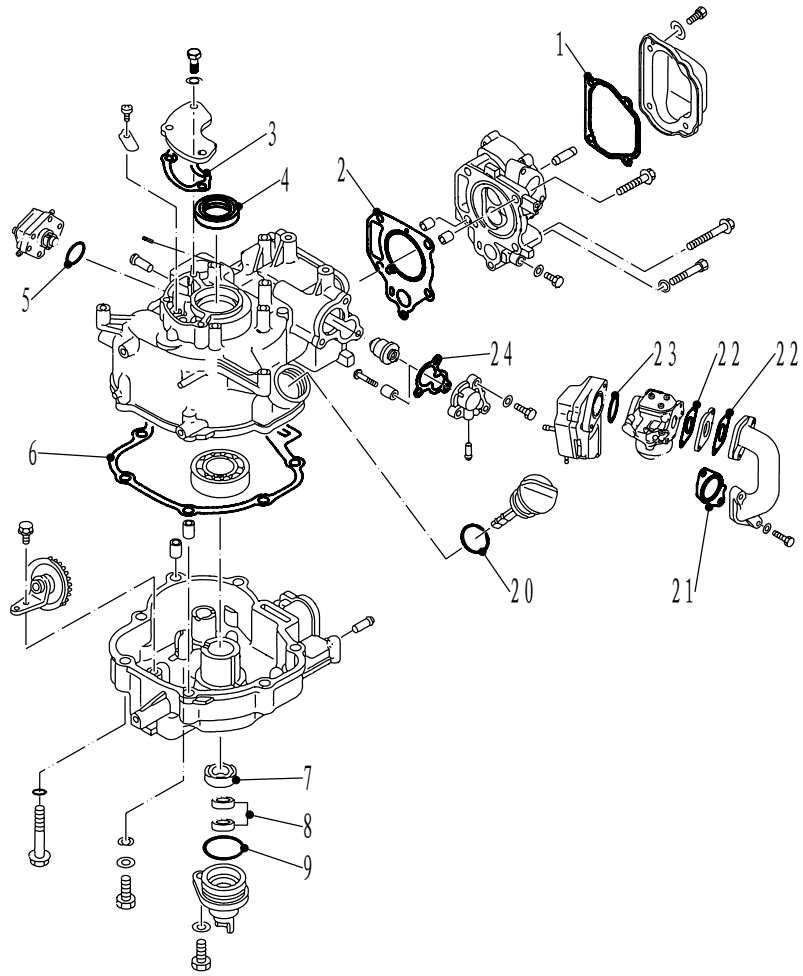
SN. 参照号码	PART NO. 零件编号	DESCRIPTION 零件名称(中文)	DESCRIPTION 零件名称(英文)	QTY 数量					REMARKS 备注
1	F4-04150000	发动机头组件	ENGINE ASSY	1					
2	F4-04010100	曲轴箱体组件	CRANK CASE	1					
3	F4-04010102	气嘴	PIPE, JOINT	2					
4	F4-04010004	曲轴油封A25x40x5	OIL SEAL	1					
5	GB/T276-6205C3	深沟球轴承6205C3	BEARING 6205C3	1					
6	F4-04000009	呼吸器密封垫	BREATHER GASKET	1					
7	F4-04000010	呼吸器盖板	COVER	1					
8	GB/T5783-M6x14	六角头螺栓M6x14	BOLT M6x14	3					
9	GB/T97.1-6	平垫圈6	WASHER 6	3					
10	GB/T818-M4x6	十字槽盘头螺钉M4x6	SCREW, PAN HEAD M4x6	1					
11	F4-04010003	呼吸器阀片	VALVE, BREATHER FLAP	1					
12	F4-04000003	空心定位销 $\phi 10 \times 8.4 \times 14$	HOLLOW PIN	2					
13	F4-04050200	曲轴箱盖组件	COVER, CRANK CASE	1					
14	F4-04000002	曲轴箱体复合垫	CRANKCASE COMPLEX GASKET	1					
15	F4-04000039	凸缘螺栓M8x50	BOLT, HEXAGON M8x50	7					
16	F2.6-04010001	曲轴油封20x30x7(B)	OIL SEAL	1					
17	F4-04060004	驱动轴上油封10.8x21x7	OIL SEAL	2					
18	F4-04060002	油封壳体O型圈	O-RING	1					
19	F4-04060001	油封壳体	SHELL, OIL SEAL	1					
20	F4-04060000	油封壳体组件	OIL SEAL SHELL ASSY	1					
21	GB/T97.1-8	平垫圈8	WASHER 8	8					
22	GB/T5783-M8x20	六角头螺栓M8x20	BOLT M8x20	1					
23	F4-04000006	放油螺栓密封垫	WASHER	1					
24	F4-04050100	甩油轮组件	GEAR UNIT ASSY	1					
25	GB/T5783-M6x12	六角头螺栓M6x12	BOLT M6x12	1					
26	F4-04000008	机油盖阻油圈	O-RING	1					
27	F4-04000007	带尺机油盖	PLUG WITH DIPSTICK	1					
28	F4-04000001	放油螺栓	BOLT, DISCHARGING OIL	1					
29	F2.6-04010103	出水嘴	WATER PIPE, OUT	1					
30	F4-04000010	带尺机油盖组件	PLUG WITH DIPSTICK ASSY	1					
31	T15-04000010	节温器	THERMOSTAT	1					
32	GB/T97.1-6	平垫圈6	WASHER 6	8					
33	GB/T5783-M6x20	六角头螺栓M6x20	BOLT M6x20	3					
34	F4-04040000	凸轮减压组件	CAMSHAFT ASSY	1					
35	F4-04010002	水咀	SPILE WATER	1					
36	F4-04070001	节温器盖	COVER, THERMOSTAT	1					
37	F4-04070100	节温器盖水咀组件	COVER AND SPILE WATER ASSY	1					
38	F4-04000011	节温器盖密封垫	GASKET, THERMOSTAT	1					
39	F4-04070003	节温器盖阳极	ANODE	1					
40	GB/T818-M5x25	十字槽盘头螺钉M5x25	SCREW, PAN HEAD M5x25	1					
41	F4-04030000	曲轴组件	CRANK ASSY	1					
42	F4-04000004	箱盖减磨片	WASHER, PLATE	1					
43	F4-04020100	连杆组件	ROD, CONNECTING	1					

零部件名称:

附录 (修理件)

PARTS NAME:

APPENDIX (REPAIR KIT)



零部件名称:

化油器总成

PARTS NAME:

F4-04140000

