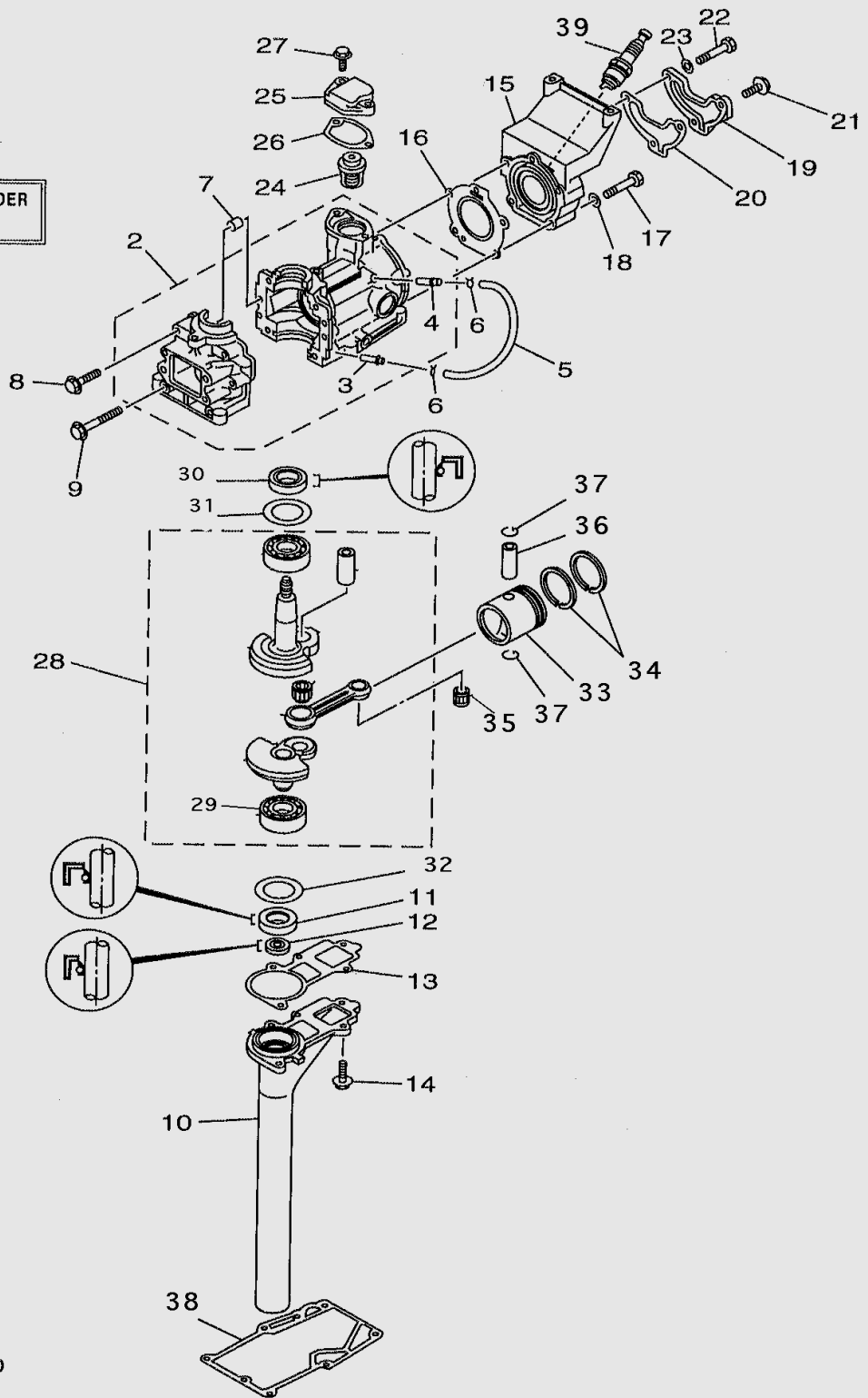


1	3MHS-01000	6L5-42610-13-4D	TOP COWLING ASSY	1
2	3MHS-01002	6L5-W0070-13-00	GRAPHIC SET	2
3	3MHS-01003	6L5-42678-12-00	GRAPHIC, REAR	1
4	3MHS-01004	6L5-42711-11-00	COWLING, BOTTOM(WITH BUSH)	1
5	3MHS-01005	6L5-42712-12-00	COWLING, BOTTOM	1
6	3MHS-01006	6L5-42774-00-00	STAY, APRON	1

7	3MHS-01007-1	6L5-42775-00-00	STAY, APRON -1	1
8	3MHS-01008	97880-05010-00	SCREW, PAN HEAD	2
9/10	3MHS-01009/10	97095-06016-00	BOLT	4
11	3MHS-01011-1	6L5-42647-00-00	STAY, APRON ASSY-1	2
12	3MHS-01012	6L5-42823-00-00	PLATE, STOP	2
13	3MHS-01013	90167-03M02-00	SCREW, TAPPING	2
14	3MHS-01014	6L5-44191-00-00	INDICATOR, SHIFT	1
15	3MHS-01015	6L5-24591-00-00	EMBLEM, FUEL COCK	1
16	3MHS-01016	6L5-42662-00-00	DAMPER	1
17	3MHS-01017	6L5-42663-00-00	DAMPER	1
18	3MHS-01018	6L5-24111-02-00	TANK, FUEL	1
19	3MHS-01019-1	6L5-24610-20-00	CAP ASSY	1
20	3MHS-01020	6A0-82317-00-00	DAMPER, IGNITION COIL	3
21	3MHS-01021	624-42542-00-00	PIPE	3
22	3MHS-01022	90119-06M65-00	BOLT, WITH WASHER	2
23	3MHS-01023	6L5-24641-00-00	GASKET, CAP 1	1
24	3MHS-01024-1	6L5-24500-60-00	FUEL COCK ASSY 1	1
25	3MHS-01025	90159-06M10-00	SCREW, WITH WASHER	1
26	3MHS-01026	6L5-44196-20-00	INDICATOR 3	1
27	3MHS-01027	6L5-44197-20-00	INDICATOR 4	1
28	3MHS-01028	6L5-24251-00-00	STRAINER 1	1
29	3MHS-01029	6L5-24311-00-00	PIPE, FUEL 1	1
30	15FMH-02008	90467-06016-00	CLIP	2
31	3MHS-01031	6L5-24312-00-00	PIPE 2	1
32	3MHS-01032	90465-13M11-00	CLAMP	2
33	3MHS-01033	656-W2810-02-00	TOOL KIT	1

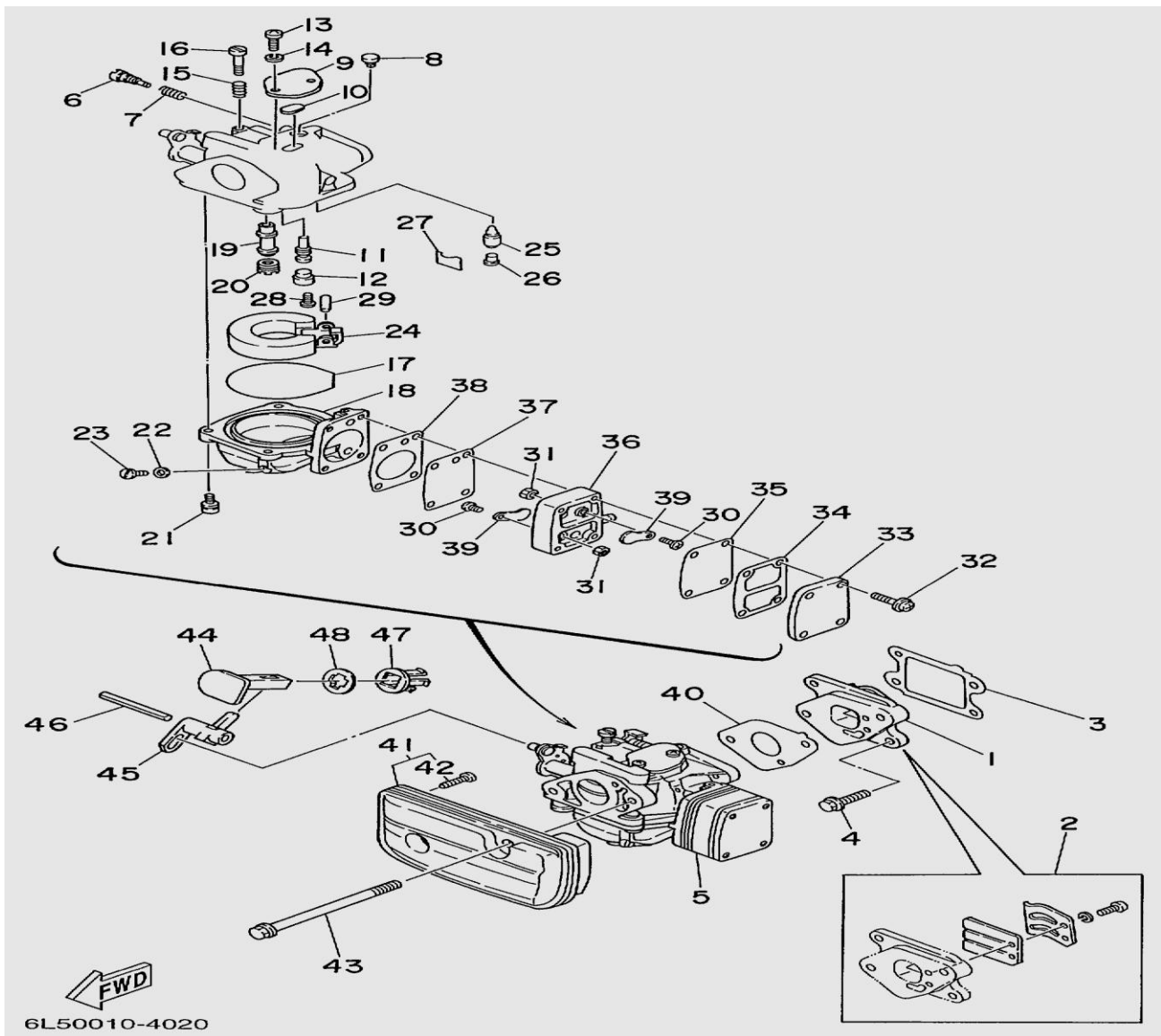
1
CRANK CYLINDER
ASSY



6L50100-9010

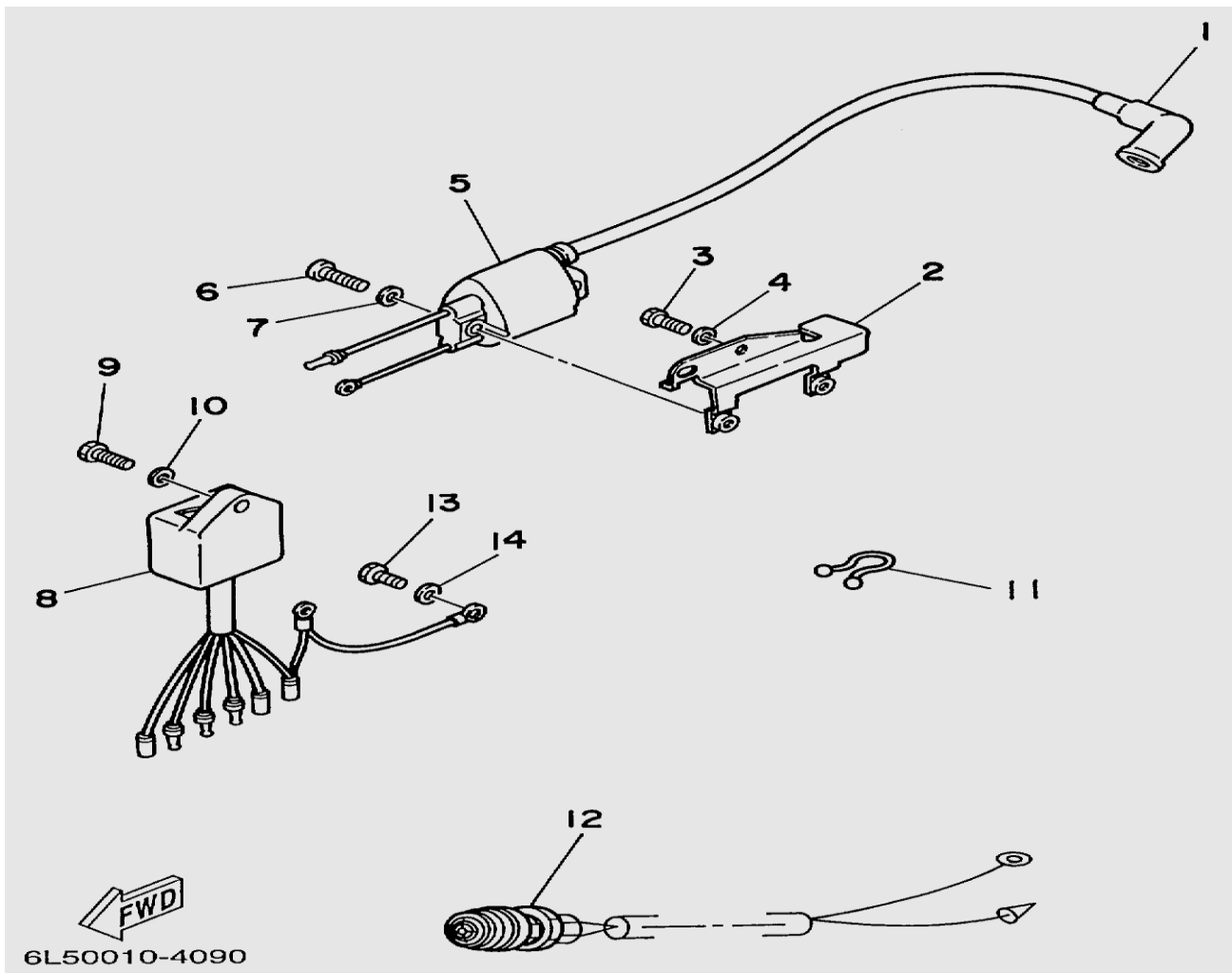
1	3MHS-02001	6L5-W0090-01-1S	CRANK CILINDER ASSY	1
2	3MHS-02002	6L5-15100-00-0S		1
3	15FMH-02004	624-14485-00-00	PIPE, JOINT	1
4	PNFM40E-02003	6E5-11372-00-00	NIPPLE, HOSE	1
5	5MHS-02013	90445-07M29-00	HOSE (L135)	1
6	15FMH-02008	90467-06016-00	CLIP	2

7	15FMH-02011	93606-12019-00	PIN, DOWEL	2
8	3MHS-02008	90105-06M16-00	BOLT, FLANGE	4
9	3MHS-02009	90105-06M40-00	BOLT, FLANGE	2
10	3MHS-02010	6L5-15396-00-94	HOUSING, OIL SEAL	1
11	5MHS-02039	93101-20M29-00	OIL SEAL	1
12	3MHS-02012	93101-09M42-00	OIL SEAL	1
13	3MHS-02013	6L5-15369-A0-00	GASKET, OIL SEAL HOUSING	1
14	3MHS-02014	97595-06020-00	BOLT, WITH WASHER	5
38	3MHS-02038	6L5-45113-A1-00	GASKET, UPPER CASING	1
15	3MHS-02015	6L5-11111-00-1S	HEAD, CYLINDER 1	1
16	3MHS-02016	6L5-11181-A2-00	GASKET, CYLINDER HEAD 1	1
17/18	3MHS-02017/18	97013-06047-00	BOLT	3
19	3MHS-02019	6L5-11191-00-1S	COVER, CYLINDER HEAD 1	1
20	3MHS-02020	6L5-11193-A1-00	GASKET, HEAD COVER 1	1
21	3MHS-02021	90119-06MA2	BOLT, WITH WASHER	1
22/23	3MHS-02022/23	90119-06027	BOLT	2
24	15FMH-02023	6E5-12411-02-00	THERMOSTAT	1
25	3MHS-02025	6L5-12413-00-1S	COVER, THERMOSTAT	1
26	3MHS-02026	6L5-12414-A1-00	GASKET, COVER	1
27	3MHS-02027	90119-06MA2	BOLT, WITH WASHER	2
39	15FMH-02026	NGK-B6HS1-00-00	PLUG SPARK (NGK B6HS-10)	1
40	3MHS-02040	94702-00274		1
28	3MHS-02028	6L5-11400-00-00	CRANKSHAFT ASSY	1
29	3MHS-02029	93306-204U0-00	BEARING	2
30	5MHS-02039	93102-20M06-00	OIL SEAL	1
31	3MHS-02031	90201-32M00-00	WASHER, PLATE	1
32	3MHS-02032	90201-32M01-00	WASHER, PLATE	1
33	3MHS-02033	6L5-11631-00-96	PISTON (0.50MM O/S)AP	1
34	3MHS-02034	6L5-11610-20-00	PISTON RING SET (0.50MM O/S)AP	1
35	3MHS-02035	93310-112U0-00	BEARING 15*12*14,5	1
36	3MHS-02036	6L5-11633-00-00	PIN, PISTON	1
37	5MHS-02045	93450-13022-00	CIRCLIP	2

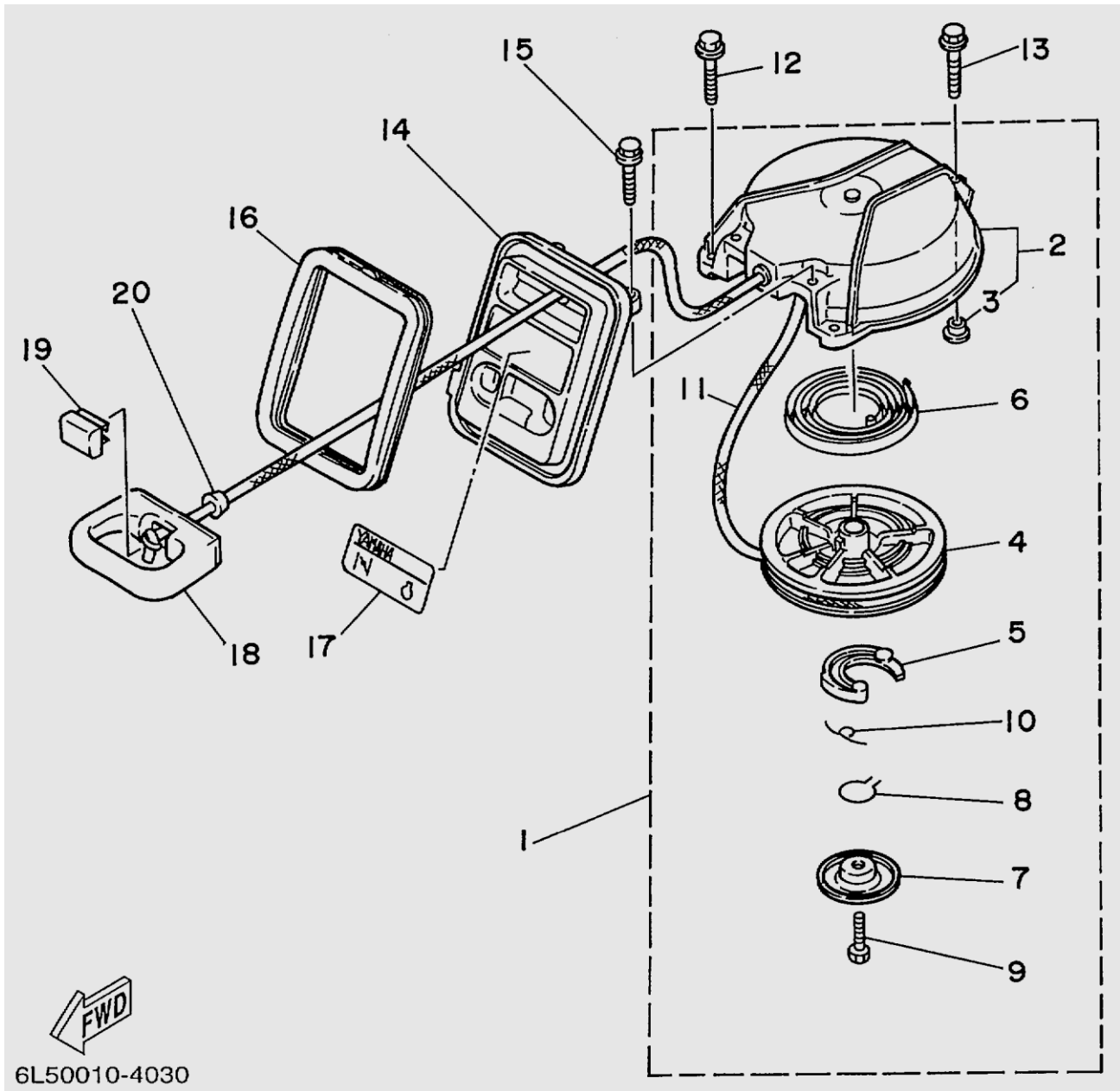


6L50010-4020

1	3MHS-04001	6L5-13610-02-00		1
2	3MHS-04002	6L5-W0004-02-00	REED SET	1
3	3MHS-04003	6L5-13621-A2-00	GASKET, VALVE SEAT	1
4	3MHS-04004	95895-06016-00	BOLT, FLANGE	2
40	3MHS-04040	6L5-14198-A1-00	GASKET	1
41	3MHS-04041-1	6L5-14440-00-00	SILENCER ASSY, INTAKE	1
42	3MHS-04042	97780-40716-00	SCREW, TAPPING	2
43	3MHS-04043	95895-06095-00	BOLT, FLANGE	2
44	3MHS-04044	6L5-41271-00-00	KNOB, CHOKE	1
45	3MHS-04045	6L5-41252-00-00	LEVER, CHOKE 1	1
46	3MHS-04046	91690-40048-00	PIN, SPRING	1
47	15FMH-04014	689-41273-00-00	GROMMET	1
48	PNFM40-04017	6J8-41274-00-00	GROMMET 2	1
5-39	3MHS-04005	6L5-14301-03-00	CARBURETOR ASSY 1	1

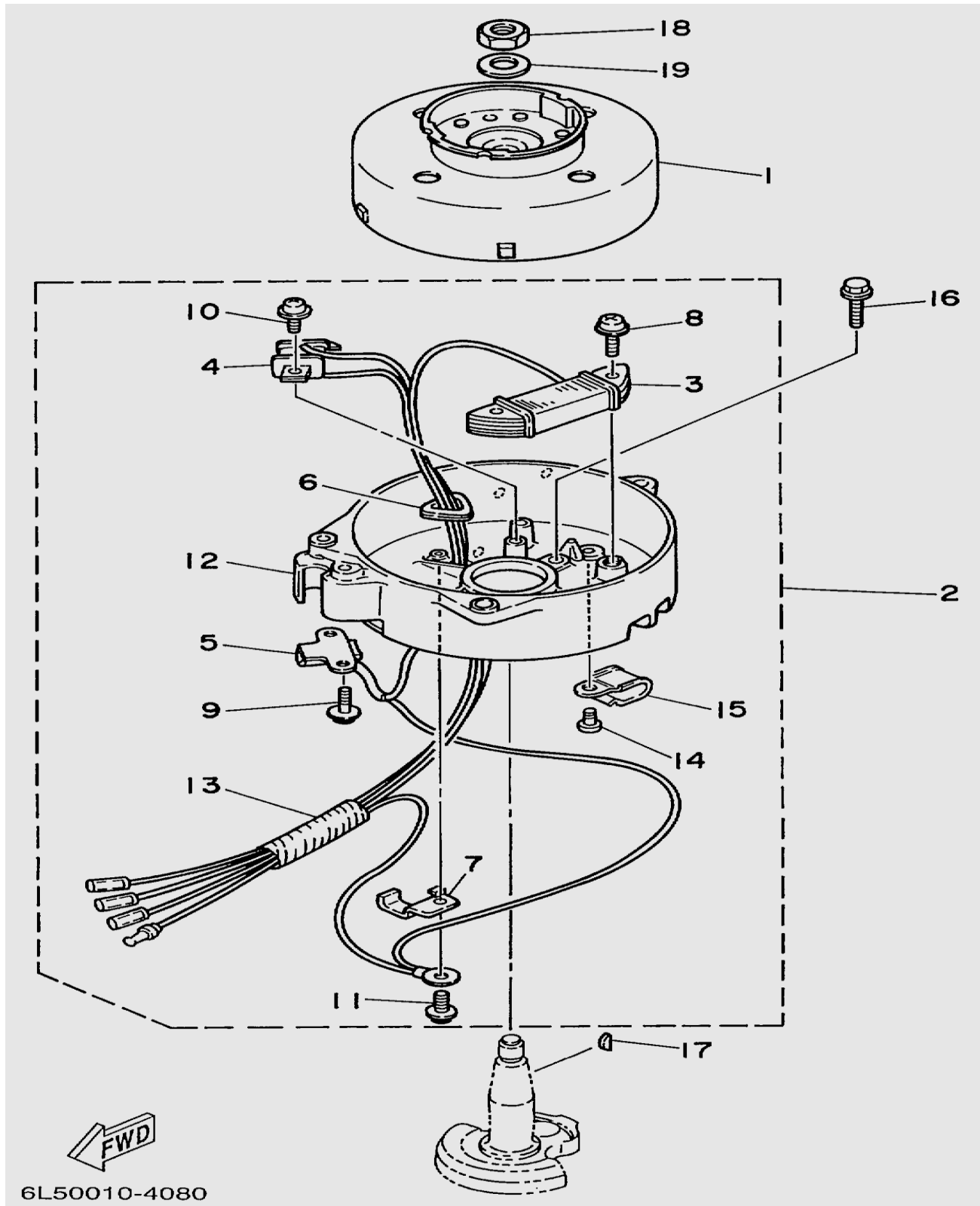


1	5MHS-06002	663-82370-01-00	CAP	1
2	3MHS-09002	6L5-82316-00-00	BRACKET, IGNITION COIL	1
3/4	3MHS-09003/4	97095-06016-00	BOLT	2
5	5MHS-06005	6L5-85570-M0-00	IGNITION COIL ASSY	1
6/7	3MHS-09006/7	97880-06016-00	SCREW, PAN HEAD	2
8	3MHS-09008	6L5-85540-M0-00	C. D. I. UNIT ASSY	1
9/10	3MHS-09009/10	97095-06016-00	BOLT	1
11	15FMH-09003	90465-18147-00	CLAMP	1
12	3MHS-09012	6L5-82550-00-00	ENGINE STOP SWITCH ASSY	1
13/14	3MHS-09013/14	97090-06012-00	BOLT	1



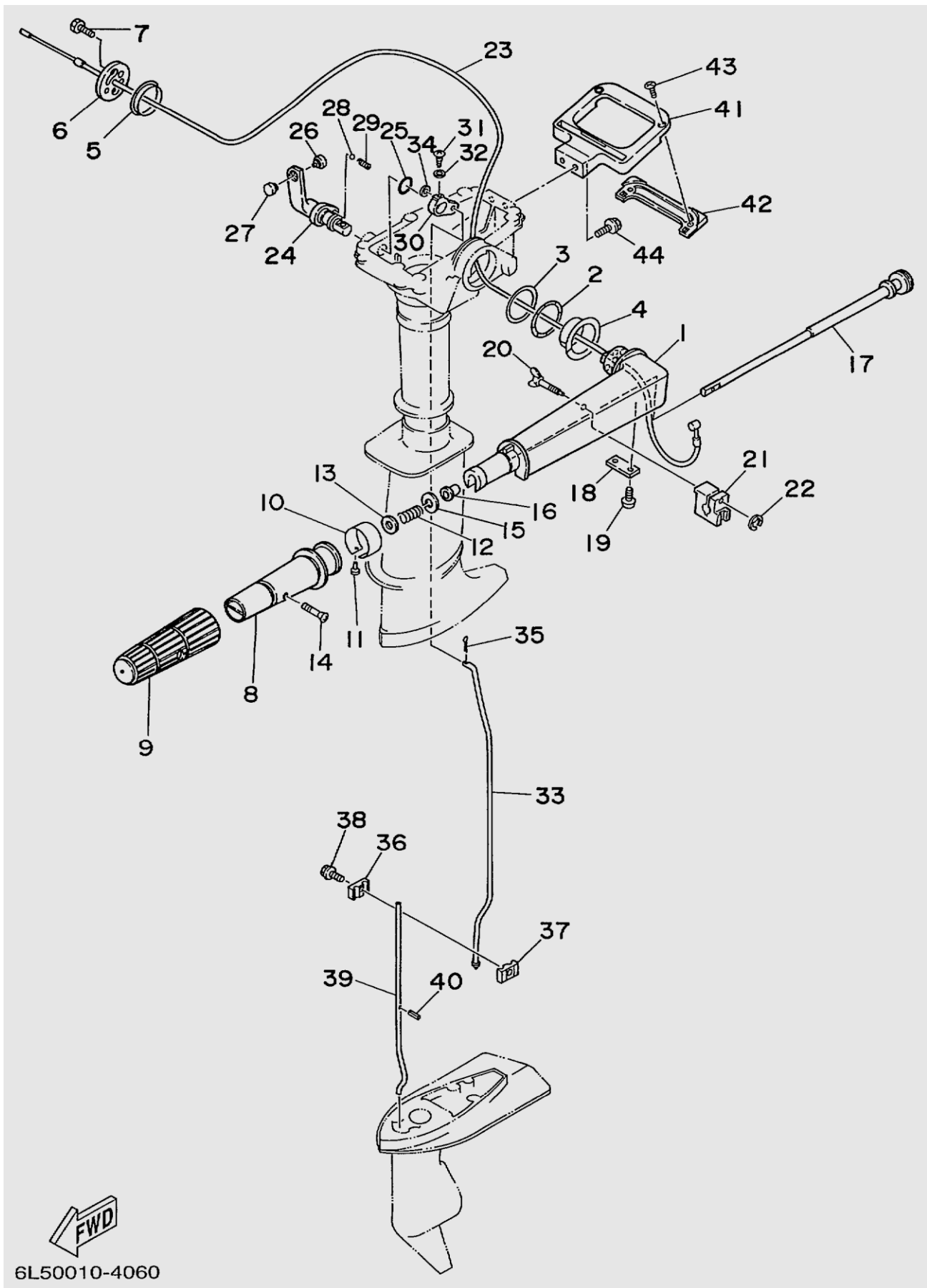
1	3MHS-07001	6L5-15710-00-00	CASE, STARTER ASSY	1
2	3MHS-07002	6L5-15711-00-00	CASE, STARTER	1
3	3MHS-07003	90387-06M70-00	COLLAR	1
4	3MHS-07004	6L5-15714-00-00	DRUM, SHEAVE	1
5	3MHS-07005	6L5-15741-00-00	PAWL, DRIVE	1
6	3MHS-07006	6L5-15713-00-00	SPRING, STARTER	1
7	3MHS-07007	6L5-15716-00-00	PLATE, DRIVE	1
8	3MHS-07008	6A1-15705-00-00	SPRING, DRIVE PAWL	1
9	3MHS-07009	97313-06012-00	BOLT	1
10	3MHS-07010	6A1-15767-00-00	SPRING	1
11	3MHS-07011	90580-40M02-00	ROPE, STARTER	1
12	15FMH-14004	95895-06020-00	BOLT, FLANGE	2
13	3MHS-07013	95895-06035-00	BOLT, FLANGE	1
14	3MHS-07014		GUIDE, HOLDER	1
14	3MHS-07014-1	6L5-15758-00-98	GUIDE, ROPE	1

15	3MHS-07015	95895-06016-00	BOLT, FLANGE	2
16	3MHS-07016	6L5-15761-00-00	SEAL, RUBBER 1	1
17	3MHS-07017	6L5-42677-00-00	GRAPHIC, FRONT	1
18	3MHS-07018	6L5-15755-00-00	HANDLE, STARTER	1
18	3MHS-07018-1		HANDLE, STARTER INSERT	1
19	3MHS-07019	6L5-15779-00-00	COVER	1
20	3MHS-07020	6L5-15789-00-00	DAMPER	1



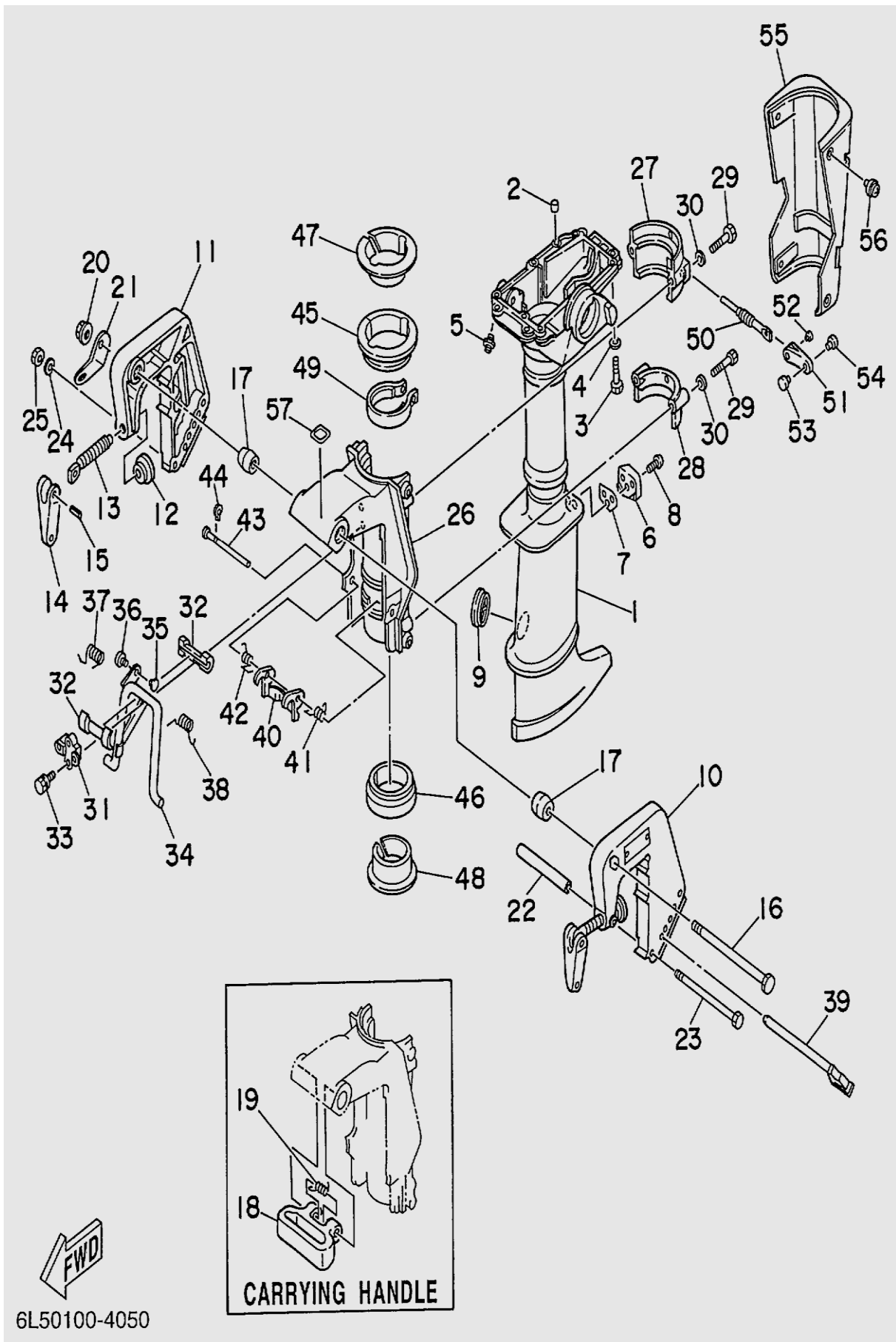
6L50010-4080

1	3MHS-08001	6L5-85550-M0-00	ROTOR ASSY	1
2	3MHS-08002	6L5-85560-M1-00	ROTOR COVER ASSY	1
3	5MHS-05006	6E0-85520-70-00	COIL, CHARGE	1
4	5MHS-05008	6L5-85595-M0-00	COIL, PULSER	1
5	3MHS-08005	6L5-85592-M0-00	PULSER COIL ASSY	1
6	5MHS-05012	6E0-81336-70-00	GROMMET	1
7	3MHS-08007	6E0-81328-70-00	CLAMP	1
8	3MHS-08008	90159-05038-00	SCREW, WITH WASHER	2
9	3MHS-08009	90159-05037-00	SCREW, WITH WASHER	2
10	3MHS-08010	90159-04036-00	SCREW, WITH WASHER	2
11	3MHS-08011	90159-04035-00	SCREW, WITH WASHER	1
12	3MHS-08012	6L5-15771-01-94	STAY 1	1
13	3MHS-08013	90446-10M01-00	HOSE (L60)	1
14	3MHS-08014	97803-05008-00	SCREW, PAN HEAD	1
15	3MHS-08015	90465-10M34-00	CLAMP	1
16	3MHS-08016	95895-06016-00	BOLT, FLANGE	2
17	5MHS-05020	90280-04M06-00	KEY, WOODRUFF	1
18	5MHS-05021	90170-10113-00	NUT	1
19	5MHS-05022	90201-10126-00	WASHER, PLATE	1



1	3MHS-11001	6G1-42111-11-4D	HANDLE, STEERING	1
2	15FMH-11003	90206-36M21-00	WASHER, WAVE	1
3	3MHS-11003	90202-36M55-00	WASHER, PLATE	1
4	3MHS-11004	90386-34M97-00	BUSH	1

5	3MHS-11005	90386-33M96-00	BUSH	1
6	15FMH-11006	6G1-42131-02-00	COVER, HANDLE STEERING	1
7	15FMH-11008	97095-06020-00	BOLT	1
8	15FMH-11013	664-42119-00-00	GRIP, STEERING HANDLE	1
9	15FMH-11016	6G1-42177-00-00	RUBBER, HANDLE	1
10	5MHS-09016	6L5-42137-00-00	INDICATOR, THROTTLE	1
11	15FMH-11015	90269-02M09-00	RIVET	1
12	15FMH-11019	90501-23215-00	SPRING, COMPRESSION	1
13/15	15FMH-11018	92903-10600-00	WASHER, PLATE	2
14	15FMH-11017	90149-05M13-00	SCREW	1
16	15FMH-11020	90386-08032-00	BUSH	1
17	15FMH-11021	6G1-42138-01-00	LEVER, THROTTLE	1
18	15FMH-11023	6E0-42159-02-00	STAY	1
19	15FMH-11024	97885-05012-00	SCREW, PAN HEAD	2
20	15FMH-11009	6L5-42125-00-00		1
21	15FMH-11011	6G1-42126-00-00		1
22	15FMH-11012	99080-03600-00	CIRCLIP	1
23	3MHS-11023	6L5-26301-01-00	THROTTLE CABLE ASSY	1
24	3MHS-11024	6L5-44111-00-00	HANDLE, GEAR SHIFT	1
25	5MHS-09026	93210-12327-00	O-RING	1
26	3MHS-01026	6L5-44196-20-00	INDICATOR 3	1
27	3MHS-01027	6L5-44197-20-00	INDICATOR 4	1
28	3MHS-11028	93505-16024-00	BALL	1
29	3MHS-11029	90501-12274-00	SPRING, COMPRESSION	1
30	3MHS-11030	6L5-44121-00-00	LEVER, SHIFT ROD	1
31	3MHS-11031	97780-40520-00	SCREW, TAPPING	1
32	3MHS-11032	92990-04600-00	WASHER, PLATE	1
33	3MHS-11033	6L5-44143-00-00	ROD, SHIFT	1
34	3MHS-11034	92990-05600-00	WASHER, PLATE	1
35	3MHS-11035	91490-16010-00	PIN, COTTER	1
36	5MHS-09038	6E0-44145-00-00	CONNECTOR, SHIFT ROD	1
37	5MHS-09039	6E0-44146-00-00	CONNECTOR, SHIFT ROD	1
38	3MHS-11038	95895-06020-00	BOLT, FLANGE	1
39	3MHS-11039	6L5-44144-00-00	ROD, SHIFT	1
40	3MHS-11040	91609-25014-00	PIN, SPRING	1
41	3MHS-11041	6L5-42731-00-4D	CARRYING HANDLE	1
42	3MHS-11042	6L5-42735-20-00	PROTECTOR	1
43	3MHS-11043	90161-04M02-00	SCREW, TAPPING	2
44	3MHS-11044	97595-06020-00	BOLT, WITH WASHER	2

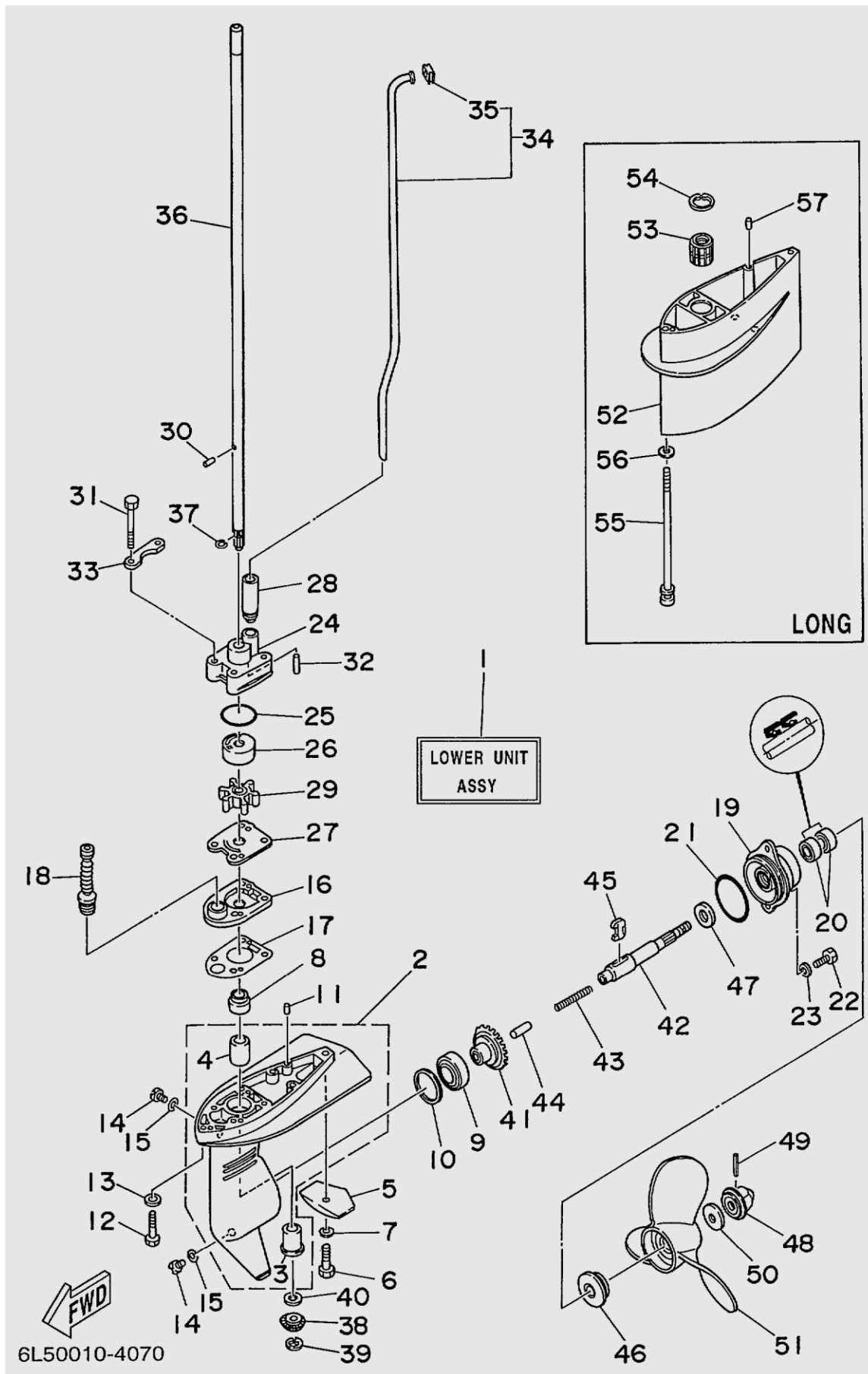


6L50100-4050

1	3MHS-15001	6L5-45111-02-4D	CASING, UPPER	1
2	3MHS-15002	93604-12M07-00	PIN, DOWEL	2
3/4	3MHS-15003/4	97095-06030-00	BOLT	6
5	15FMH-14001	93700-06M03-00	NIPPLE, GREASE	1

6	3MHS-15006	6L5-45152-00-00	COVER, UPPER CASING 2	1
7	3MHS-15007	6L5-45115-A0-00	GASKET, UPPER CASING	1
8	3MHS-15008	90149-05M08-00	SCREW	1
9	5MHS-10009	647-45151-01-00	COVER, UPPER CASING	1
10	3MHS-15010	6L5-43111-01-4D	BRACKET, CLAMP	1
11	3MHS-15011	6L5-43112-00-4D	BRACKET, CLAMP	1
12	15FMH-13012	620-43114-00-00	PAD, TRANSOM CLAMP	2
13	3MHS-15013	6E0-43116-01-00	SCREW, TRANSOM CLAMP	2
14	15FMH-13009	6E0-43118-01-00	HANDLE, TRANSOM CLAMP	2
15	15FMH-13010	90243-04M01-00	PIN	2
16	3MHS-15016	90101-08M10-00	BOLT	1
17	3MHS-15017	6G1-43136-00-00	PIECE, FRICTION	2
18	3MHS-15018	6L5-42121-00-00	BRACKET	1
19	3MHS-15019	90508-16M30-00	SPRING, TORSION	1
20	15FMH-11008	90185-08057-00	NUT, SELF-LOCKING	1
21	5MHS-10019	6A1-43113-01-00	PLATE, CLAMP BRACKET	1
22	5MHS-10021	90387-06M11-00	COLLAR	1
23	3MHS-15023	90101-06335-00	BOLT	1
24	3MHS-15024	92990-06600-00	WASHER, PLATE	1
25	15FMH-12033	95380-06600-00	NUT, HEXAGON	1
26	3MHS-15026	6L5-43311-01-4D	BRACKET, SWIVEL 1	1
27	3MHS-15027	6L5-44511-00-4D	COVER, UPPER MOUNT	1
28	3MHS-15028	6L5-44553-00-4D	COVER, LOWER MOUNT	1
29/30	3MHS-15029/30	97095-06035-00	BOLT	4
31	5MHS-10031	6E0-43313-00-94		1
32	5MHS-10032	620-43189-00-00	BUSHING	2
33	3MHS-15033	95895-06020-00	BOLT, FLANGE	2
34	3MHS-15034	6L5-43181-00-00	LEVER, TILT STOP	1
35/53	3MHS-01026	6L5-44196-00-00	INDICATOR 3	2
36/54	3MHS-01027	6L5-44197-00-00	INDICATOR 4	2
37	5MHS-10034	90508-16020-00	SPRING, TORSION	1
38	5MHS-10035	90508-16021-00	SPRING, TORSION	1
39	3MHS-15039	6L5-43160-00-00	TILT ROD ASSY	1
40	3MHS-15040	6L5-43614-00-00	PLATE, TILT LOCK	1
41	3MHS-15041	90508-08M26-00	SPRING, TORSION	1
42	3MHS-15042	90508-08M27-00	SPRING, TORSION	1
43	3MHS-15043	6L5-43659-00-00	SHAFT, REVERSE LOCK	1
44	15FMH-13051	99080-05600-00	CIRCLIP	1
45	3MHS-15045	6L5-42537-00-00	BUSHING, PIVOT SHAFT	1
46	3MHS-15046	6L5-42538-00-00	BUSHING, PIVOT SHAFT	1
47	3MHS-15047	6L5-42539-00-00	BUSHING, PIVOT SHAFT	1

48	3MHS-15048	6L5-42549-00-00	BUSHING, PIVOT SHAFT	1
49	5MHS-10047	6E0-42528-03-00	PLATE, TILT LOCK	1
50	3MHS-15050	6L5-42529-01-00	SCREW, FRICTION PIECE	1
51	5MHS-10051	6L5-42561-00-00	KNOB, STEERING LOCK	1
52	3MHS-15052	90266-04M05-00	RIVET	1
55	3MHS-15055	6L5-43318-11-00	COVER	1
56	3MHS-15056	90159-06M10-00	SCREW, WITH WASHER	4



1	3MHS-16001	6L5-45300-01-4D	В с б о р е	1
2	3MHS-16002	6L5-45311-00-4D	CASING, LOWER	1
3	3MHS-16003	6L5-45317-09-00	BUSHING, DRIVE SHAFT	1

4	3MHS-16004	6L5-45316-09-00	BUSHING, DRIVE SHAFT	1
5	5MHS-11007	6L5-45251-03-00	ANODE	1
6	15FMH-17011	95895-06030-00	BOLT, FLANGE	1
7	15FMH-17012	92990-06300-00	WASHER, INTERNAL TOOTH	1
8	3MHS-16008	93103-09M41-00	OIL SEAL	1
9	3MHS-16009	93316-003U0-00	BEARING	1
10	3MHS-16010	6L5-45567-00-00	SHIM	1
11	15FMH-16018	93604-12M07-00	PIN, DOWEL	2
12/13	3MHS-16012/13	97095-06030-00	BOLT	3
14	15FMH-16008	90340-08002-00	PLUG, STRAIGHT SCREW	2
15	15FMH-16009	90430-08020-00	GASKET	2
16	3MHS-16016	6L5-45321-00-5B	PLATE	1
17	3MHS-16017	6L5-45315-A0-00	PACKING, LOWER CASING	1
18	3MHS-16018	6L2-44147-00-00	BOOT, SHIFT ROD	1
19	3MHS-16019	6L5-45361-00-4D	CAP, LOWER CASING	1
20	3MHS-16020	93101-13M12-00	OIL SEAL	2
21	3MHS-16021	93210-48214-00	O-RING	1
22/23	3MHS-16022/23	97095-06016-00	BOLT	2
24	3MHS-16024	6L5-44311-00-00	HOUSING, WATER PUMP	1
25	3MHS-16025	93210-33M85-00	O-RING	1
26	3MHS-16026	6L5-44322-00-00	INSERT, CARTRIDGE	1
27	3MHS-16027	6L5-44323-00-00	OUTER PLATE, CARTRIDGE	1
28	3MHS-16028	6E0-44366-00-00	WATER, SEAL	1
29	3MHS-16029	6L5-44352-00-00	IMPELLER	1
30	5MHS-11029	93604-07M13-00	PIN, DOWEL	1
31	3MHS-16031	97095-06040-00	BOLT	4
32	3MHS-16032	93604-18080-00	PIN, DOWEL	2
33	3MHS-16033	6L5-44328-00-00	PLATE	2
34	3MHS-16034	6L5-44360-01-00	WATER TUBE ASSY	1
35	5MHS-11034	646-44365-00-00	DAMPER, WATER SEAL	1
36	3MHS-16036	6L5-45511-00-00	SHAFT, DRIVE	1
37	3MHS-16037	90467-07M12-00	CLIP	1
38	3MHS-16038	6L5-45551-00-00	PINION (13T)	1
39	3MHS-16039	99001-06600-00	CIRCLIP	1
40	3MHS-16040	6L5-45533-00-00	SHIM (T:2.2MM)	1
41	3MHS-16041	6L5-45560-00-00	GEAR 1 (27T)	1
42	3MHS-16042	6L5-45611-00-00	SHAFT, PROPELLER	1
43	5MHS-11046	90501-10064-00	SPRING, COMPRESSION	1
44	3MHS-16044	6L5-45635-00-00	PLUNGER, SHIFT	1
45	3MHS-16045	6L5-45631-00-00	CLUTCH, DOG	1
47	3MHS-16047	90201-13198-00	WASHER, PLATE	1

46	5MHS-11049	6L5-45987-01-00	SPACER	1
48	5MHS-11050	6L5-45616-00-00	NUT, PROPELLER	1
49	3MHS-16049	91490-25030-00	PIN, COTTER	1
50	3MHS-16050	90201-08M54-00	WASHER, PLATE	1
51	3MHS-16051	6L5-45947-00-EL	PROPELLER (3X7-1/4"X6"-BS)	1
	3MHS-16051-1	6L5-45947-00-EL	PROPELLER (3X7-1/4"X8-1/4"-BS)	1
	3MHS-16051-2	6L5-45943-00-EL	PROPELLER (3X7-1/4"X8-1/4"-BS)	1