

零件目录

**PARTS CATALOGUE**



**T30A(T25,T20) BM (FW)**

苏州百胜动力机器有限公司

SUZHOU PARSUN POWER MACHINE CO., LTD

# 目次

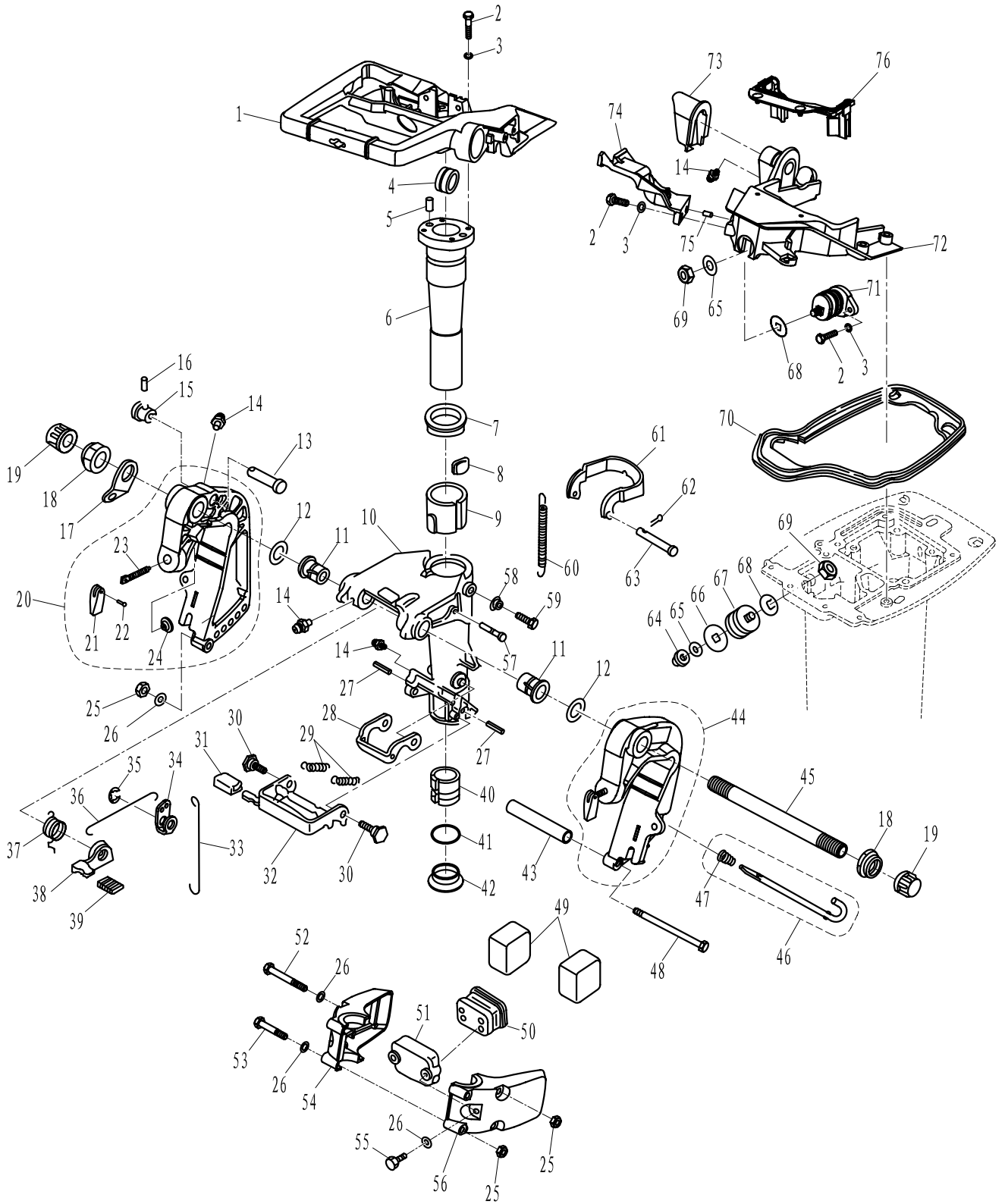
## CONTENTS

托架	1 ~ 3
BRACKET	1 ~ 3
操舵系统	4
STEERING	4
水上装置壳体	5 ~ 6
UPPER CASING	5 ~ 6
底罩	7 ~ 8
BOTTOM COWLING	7 ~ 8
控制系统 I	9 ~ 11
CONTROL SYSTEM I	9 ~ 11
控制系统 II	12 ~ 13
CONTROL SYSTEM II	12 ~ 13
水下装置壳体&驱动系统 I	14 ~ 16
LOWER CASING & DRIVE I	14 ~ 16
水下装置壳体&驱动系统 II	17
LOWER CASING & DRIVE II	17
电气系统 I	18 ~ 19
ELECTRICAL SYSTEM I	18 ~ 19
电气系统 II	20 ~ 21
ELECTRICAL SYSTEM II	20 ~ 21
电气系统 III	22
ELECTRICAL SYSTEM III	22
电气系统 IV	23 ~ 24
ELECTRICAL SYSTEM IV	23 ~ 24
曲轴&活塞	25 ~ 26
CRANKSHAFT & PISTON	25 ~ 26
曲轴箱	27 ~ 28
CRANKCASE	27 ~ 28
燃油系统	29 ~ 30
FUEL SYSTEM	29 ~ 30
进气系统	31 ~ 32
INTAKE SYSTEM	31 ~ 32
化油器总成	33 ~ 34
CARBURETOR ASSY	33 ~ 34
起动器	35 ~ 36
STARTER	35 ~ 36
顶罩组件	37 ~ 38
TOP COWLING ASSY	37 ~ 38
燃油箱	39
FUEL TANK	39



零部件名称: 托架

PARTS NAME: BRACKET





零部件名称:

托架

PARTS NAME:

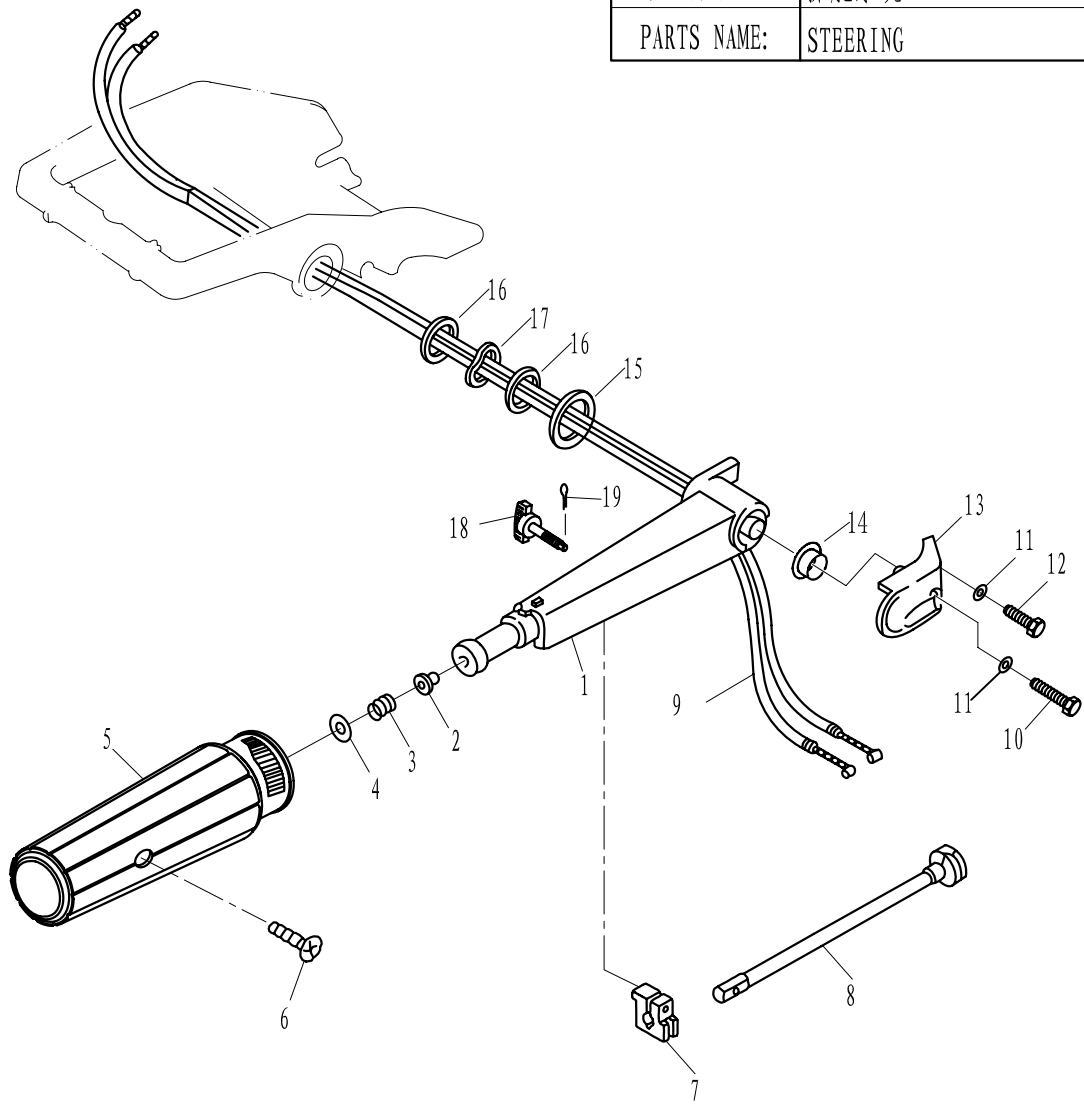
BRACKET

SN. 参照号码	PART NO. 零件编号	DESCRIPTION 零件名称 (中文)	DESCRIPTION 零件名称 (英文)	QTY 数量					REMARKS 备注
1	T20-01020001	操舵托架	STEER BRACKET ASSY	1					
2	GB/T5783-M6x20	六角螺栓 M6x20	BOLT M6x20	7					
3	GB/97.1-6	平垫圈 6	WASHER 6	7					
4	T20-01000001	托架橡胶圈	RUBBER LOOP, BRACKET	1					
5	F25-00000014	定位销 $\phi$ 8x12	PIN $\phi$ 8x12	2					
6	T20-01020002	操舵托架轴	SHAFT, STEER BRACKET	1					
7	T20-01000002	旋转支架上垫圈	UPPER WASHER, ROTARY BRACKET	1					
8	T20-01000200	上衬套锁紧块	LOCKING BLOCK, UPPER BUSH	1					
9	T20-01000003	旋转支架上衬套	UPPER BUSH, ROTARY BRACKET	1					
10	T20-01010301	旋转支架	ROTARY BRACKET	1					
11	F15-01010302	螺管尼龙衬套	BUSH, BOLT	2					
12	F25-01010003	螺管垫圈	WASHER, BOLT	2					
13	T20-01010202	起翘限位轴	LIMITED AXIS, TILT	1					
14	JB/T7940.1-M6	直通式压注油杯M6	OILER M6	5					
15	T20-01010203	起翘限位手柄	LIMITING HANDLE, TILT	1					
16	GB/T879.2- $\phi$ 3x16	轻型直槽弹性圆柱销 $\phi$ 3x16	PIN $\phi$ 3X16	1					
17	F25-01010004	双孔固定板	PLATE, TWO HOLE	1					
18	F15-01010007	托架夹紧螺母	CLAMP NUT, BRACKET	2					
19	F25-01010011	塑料装饰螺母	NUT, PLASTIC	2					
20	T20-01010200	夹紧托架 (右) 组件	BRACKET ASSY (RIGHT)	1					
21	F4-01010004	舰板夹紧手柄	CLAMP HANDLE, STERN	2					
22	F4-01010005	舰板夹紧手柄铆钉	RIVET, CLAMP HANDLE	2					
23	F15-01010102	舰板夹紧螺杆	CLAMP SCREW	2					
24	F4-01010003	舰板夹紧圆盘	CLAMP PAD	2					
25	GB/T6170-M8	六角螺母 M8	NUT M8	5					
26	GB/T97.1-8	平垫圈 8	WASHER 8	7					
27	GB/T879.1-4x38	重型直槽弹性圆柱销 4x38	PIN 4x38	2					
28	T20-01010305	锁紧手柄内架	INNER FRAME, LOCKED HANDLE	1					
29	T20-01010304	支撑架拉簧	SPRING, SUPPORT	2					
30	T20-01010303	扁六角轴位螺钉	BOLT	2					
31	F15-01010305-3	手柄护套	JACKET, HANDLE	1					
32	T20-01010302	支撑架组件	SUPPORT FRAME ASSY	1					
33	T20-01010309	锁紧手柄内架拉杆	PULL ROD, INNER FRAME	1					
34	T20-01010310	拉杆支架	BRACKET, PULL ROD	1					
35	GB/T896-5	开口挡圈 5	CIRCLIP 5	1					
36	T20-01010311	拉杆拉簧	SPRING, PULL ROD	1					
37	T20-01010003	角度锁紧手柄扭簧	WREST SPRING, LOCKING HANDLE	1					
38	T20-01010001	角度锁紧手柄	LOCKING HANDLE	1					
39	T20-01010002	角度锁紧手柄套	JACKET, LOCKING HANDLE	1					
40	T20-01000004	旋转支架下衬套	LOWER BUSH, ROTARY BRACKET	1					
41	T20-01000005	下衬套O型圈	O-RING, LOWER BUSH	1					
42	T20-01000006	旋转支架下垫圈	LOWER WASHER, ROTARY BRACKET	1					
43	T20-01010004	螺栓套管	TUBE, BOLT	1					



零部件名称: 操舵系统

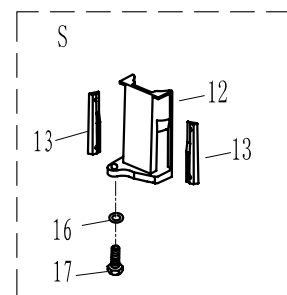
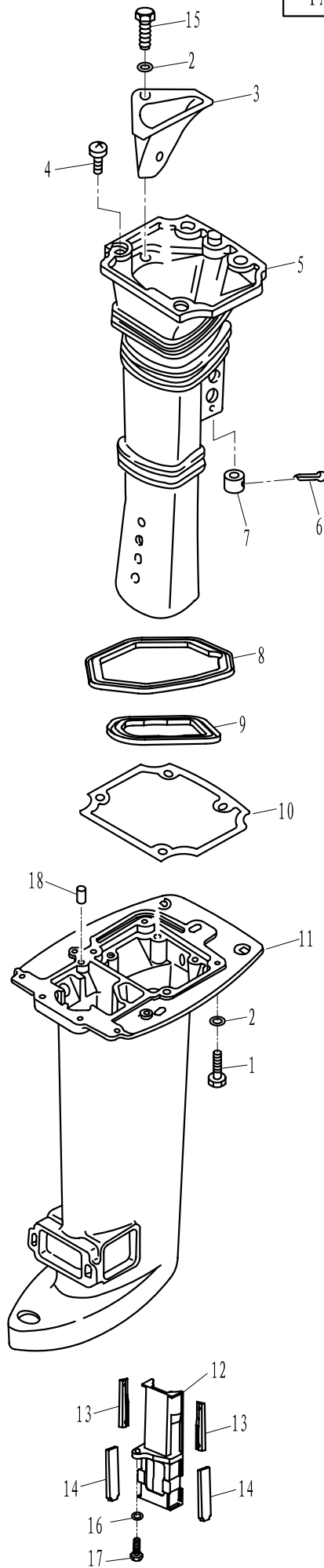
PARTS NAME: STEERING



SN. 参照号码	PART NO. 零件编号	DESCRIPTION 零件名称(中文)	DESCRIPTION 零件名称(英文)	QTY 数量					REMARKS 备注
1	T20-01030001	操舵手柄	HANDLE, STEERING	1					
2	F4-01090006	衬套	BUSH	1					
3	F4-01090007	压缩弹簧	SPRING , COMPRESSION	1					
4	GB/T848-10	小垫圈10	SMALL WASHER 10	1					
5	T15-01020300	操舵手柄塑胶套组件	STEERING HANDLE ASSY	1					
6	GB/T820-M5x25	十字槽半沉头螺钉M5×25	SCREW M5x25	1					
7	F4-01090003	操舵手柄握把摩擦块	FRICTION	1					
8	T20-01030100	节气门杆组件	LEVER , THROTTLE ASSY	1					
9	T20-01030300	油门钢索组件	THROTTLE CABLE ASSY	2					
10	GB/T5782-M6x50	六角螺栓M6x50	BOLT M6x50	1					
11	GB/T97.1-6	平垫圈 6	WASHER 6	2					
12	GB/T5783-M6x20	六角螺栓M6x20	BOLT M6x20	1					
13	T20-01000007	操舵手柄固定块	FIXED BLOCK, STEERING HANDLE	1					
14	T20-01000008	手柄减磨圈	WEARABLE LOOP, HANDLE	1					
15	T20-01000009	手柄衬套	BUSH , HANDLE	1					
16	T20-01000011	衬套垫圈	WASHER , NYLON	2					
17	T20-01000010	波形垫圈	WASHER , WAVE	1					
18	T20-01030200	阻力调整旋钮组件	BOLT, FRICTION ADJUSTING	1					
19	GB/T91-1.6x12	开口销Ø1.6x12	COTTER PIN Ø1.6x12	1					

零部件名称: 水上装置壳体

PARTS NAME: UPPER CASING



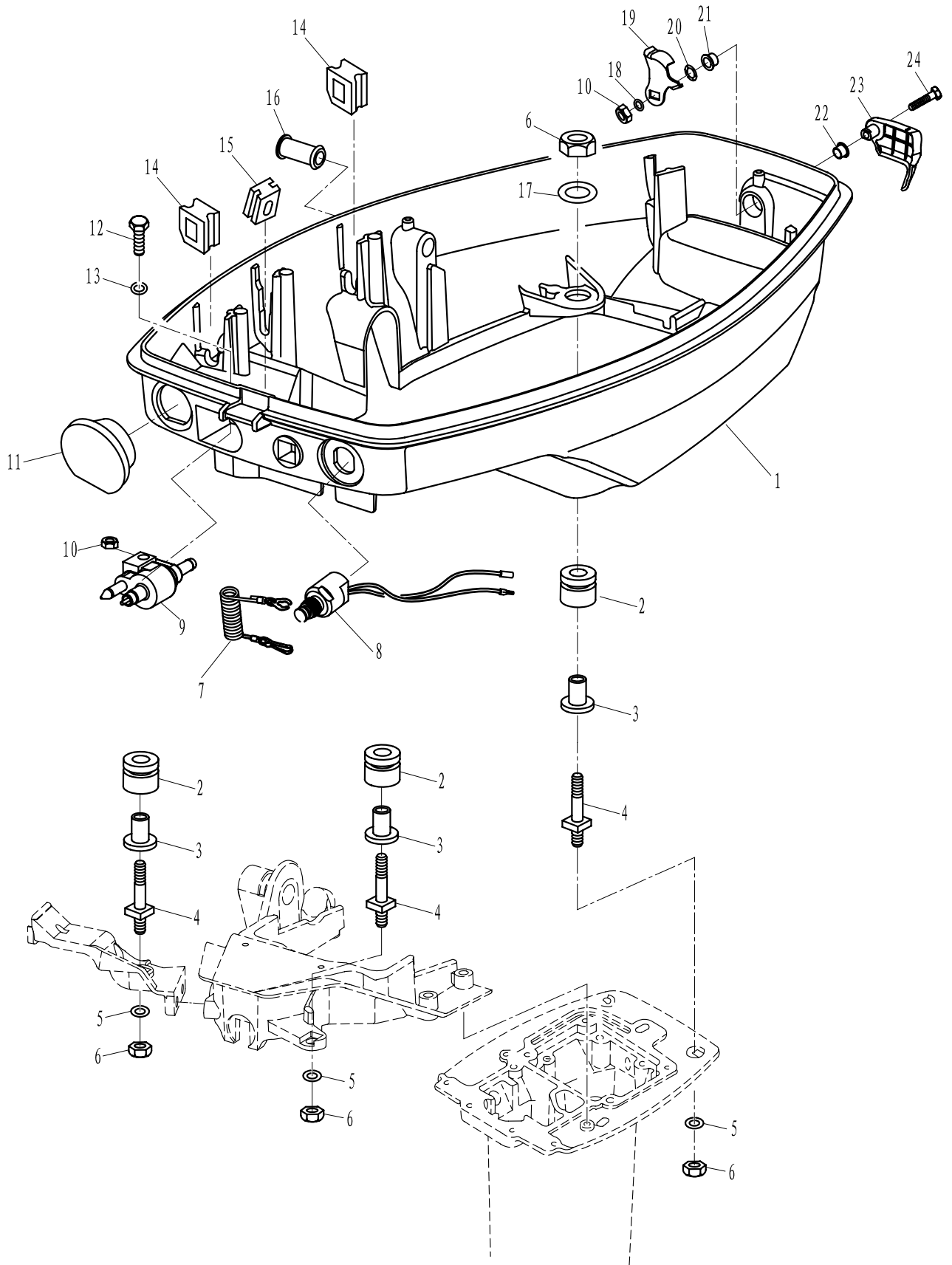


零部件名称:

底罩

PARTS NAME:

BOTTOM COWLING



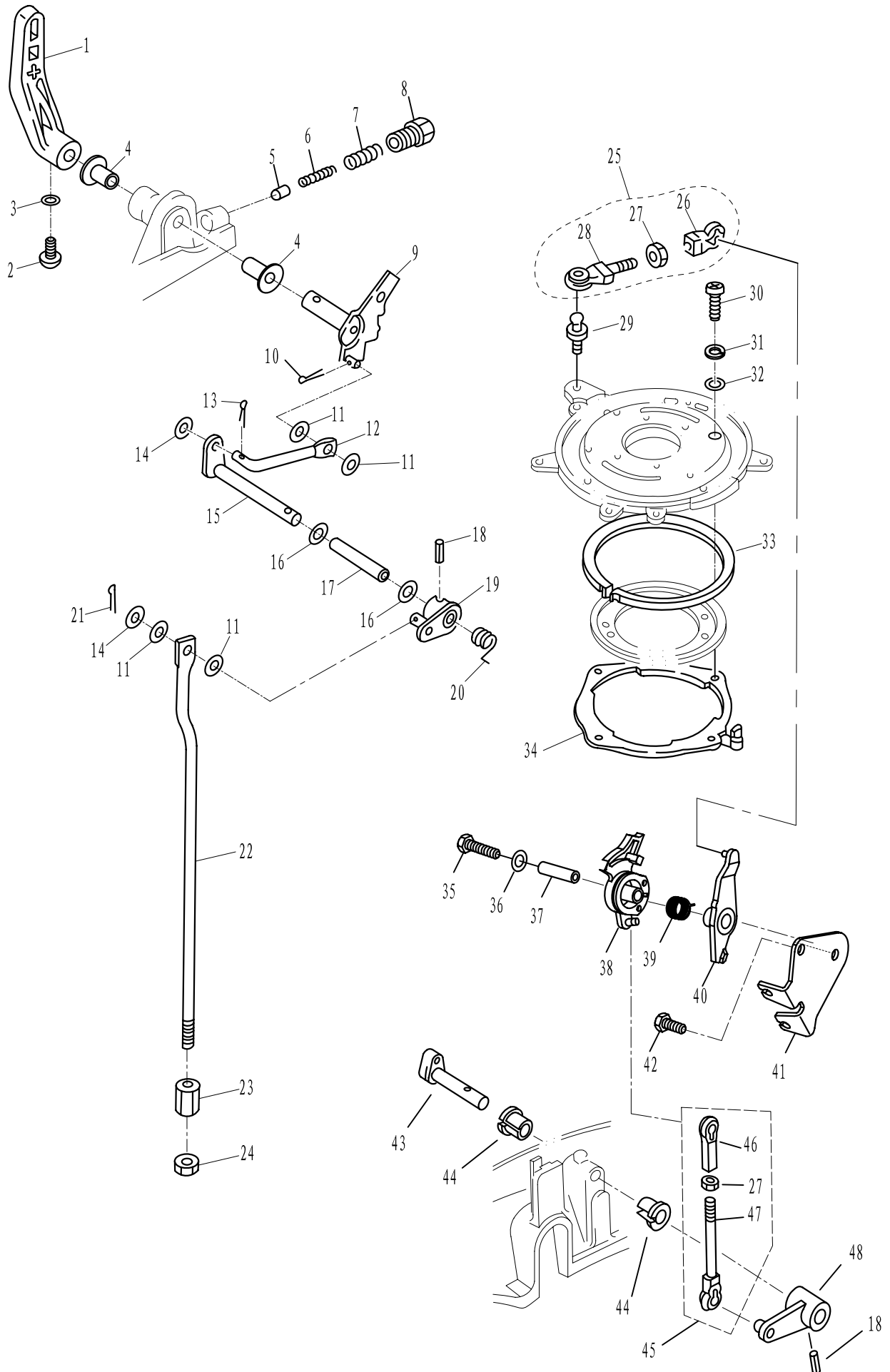


零部件名称:

控制系统 I

PARTS NAME:

CONTROL SYSTEM I





零部件名称:

控制系统 I

PARTS NAME:

CONTROL SYSTEM I

SN. 参照号码	PART NO. 零件编号	DESCRIPTION 零件名称 (中文)	DESCRIPTION 零件名称 (英文)	QTY 数量					REMARKS 备注
1	T20-03000005	变档手柄	HANDLE, SHIFT GEAR	1					
2	GB/T823-M6x20	十字槽小盘头螺钉 M6x20	SCREW M6x20	1					
3	GB/T97.1-6	平垫圈6	WASHER 6	1					
4	T20-03000015	尼龙衬套	NYLON BUSH	2					
5	T20-03000006	变档凸轮柱塞	PLUNGER, SHIFT CAM	1					
6	T20-03000008	柱塞弹簧A	SPRING A, PLUNGER	1					
7	T20-03000009	柱塞弹簧B	SPRING B, PLUNGER	1					
8	T20-03000007	柱塞螺母	NUT, PLUNGER	1					
9	T20-03000300	档位定位片组件	LOCATING PLATE ASSY, SHIFT LEVER	1					
10	GB/T91-φ1.2x14	开口销 φ1.2x14	COTTER PIN φ1.2x14	1					
11	T20-03000011	小轴尼龙垫圈	NYLON WASHER, SMALL AXES	4					
12	T20-03000010	变档凸轮连杆	CONNECTING ROD, SHIFT CAM	1					
13	GB/T91-φ1.0x14	开口销 φ1.0x14	COTTER PIN φ1.0x14	1					
14	GB/T848-5	小垫圈 5	WASHER 5	2					
15	T20-03000100	变档杆组件	SHIFT LEVER ASSY	1					
16	T20-03000002	变档尼龙垫圈	NYLON WASHER, SHIFT GEAR	1					
17	T20-03000003	变档轴套	AXLE TUBE, SHIFT GEAR	1					
18	GB/T879.1-φ4x16	重型直槽弹性圆柱销 φ4x16	PIN φ4x16	2					
19	T20-03000200	变档杆支座组件	SEAT ASSY, SHIFT LEVER	1					
20	T20-03000204	变档杆扭簧	WREST SPRING, SHIFT LEVER	1					
21	GB/T91-φ1.6x12	开口销 φ1.6x12	COTTER PIN φ1.6x12	1					
22	T20-03000012	变档连接杆	CONNECTING LEVER, SHIFT GEAR	1					
23	F15-00000035	柱状螺母	NUT, PLUNGER	1					
24	GB/T6170-M6	六角螺母M6	NUT M6	1					
25	T20-06050300	磁电机连杆组件	CONNECTING ROD ASSY, MAGNETO	1					
26	T20-06050302	连杆接头B	TIE-IN B, CONNECTING ROD	1					
27	GB/T6170-M5	六角螺母M5	NUT M5	2					
28	T20-06050301	连杆接头A	TIE-IN A, CONNECTING ROD	1					
29	T20-06040007	连杆接头	TIE-IN, CONNECTING ROD	1					
30	GB/T818-M5x12	十字槽盘头螺钉 M5x12	BOLT M5x12	4					
31	GB/T93-5	弹性垫圈5	SPRING-WASHER 5	4					
32	GB/T97.1-5	平垫圈 5	WASHER 5	4					
33	T20-06000023	磁电机衬圈	RETAINER, MAGNETO	1					
34	T20-06000021	磁电机挡板	PLATE, MAGNETO	1					
35	GB/T5782-M6x45	六角螺栓 M6x45	BOLT M6x45	1					
36	T40-05070005	油门执行器垫圈	WASHER, ACCELEROGRAPH ACTUATOR	1					
37	T20-06050002	油门执行器衬管	BUSH, ACCELEROGRAPH ACTUATOR	1					
38	T20-06050100	油门执行器主动滑轮组件	CHAIN WHEEL ASSY, ACCELEROGRAPH	1					
39	T20-06050003	从动滑轮扭簧	WREST SPRING, DRIVEN WHEEL	1					
40	T20-06050200	从动滑轮组件	DRIVEN WHEEL ASSY	1					
41	T20-06050001	油门执行器固定板	PLATE, ACCELEROGRAPH ACTUATOR	1					
	T20-06050001W	油门执行器固定板 (FW)	PLATE, ACCELEROGRAPH ACTUATOR (FW)	1					FW
42	GB/T5783-M6x12	六角螺栓 M6x12	BOLT M6x12	1					

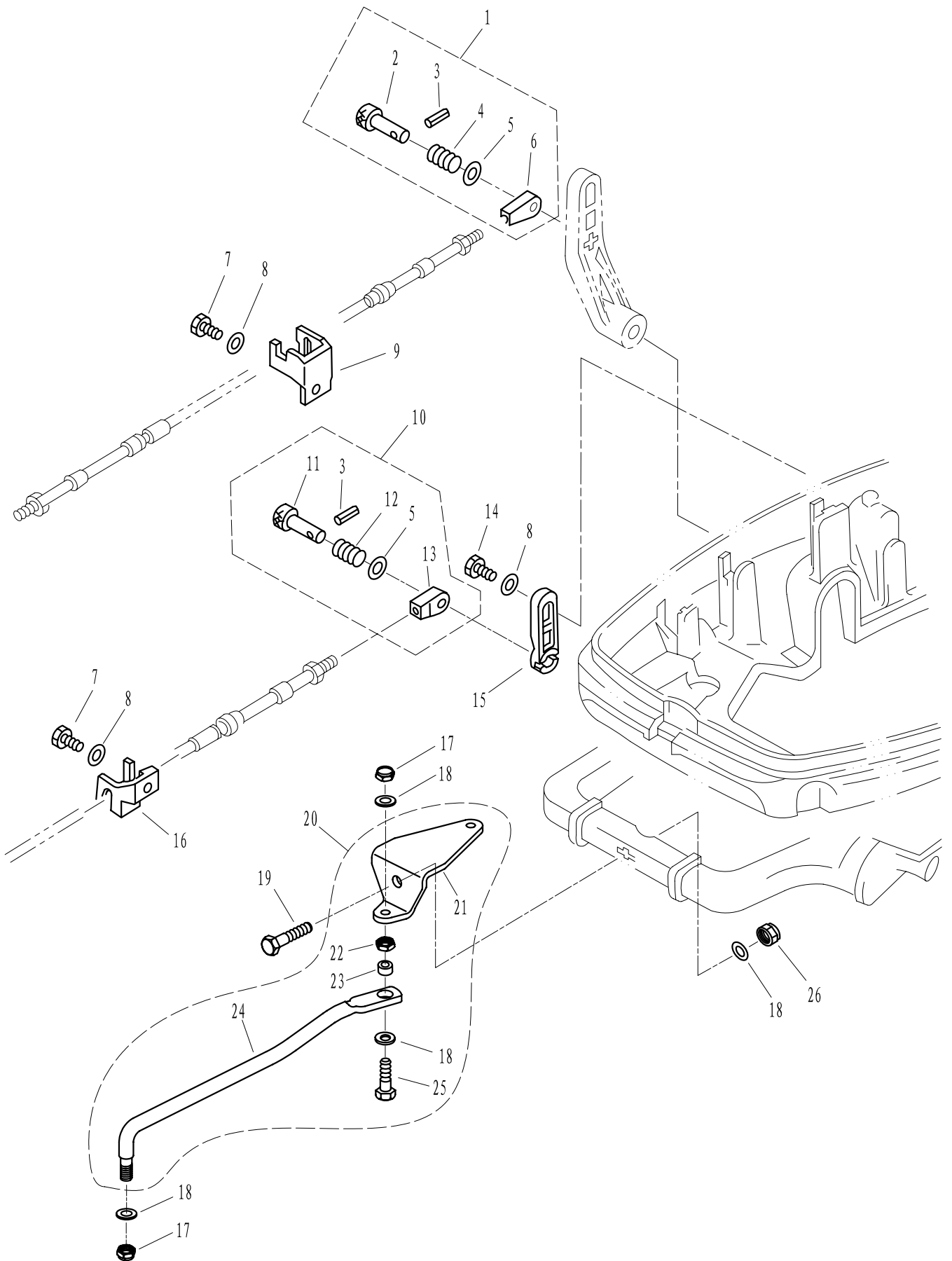


零部件名称:

控制系统 II

PARTS NAME:

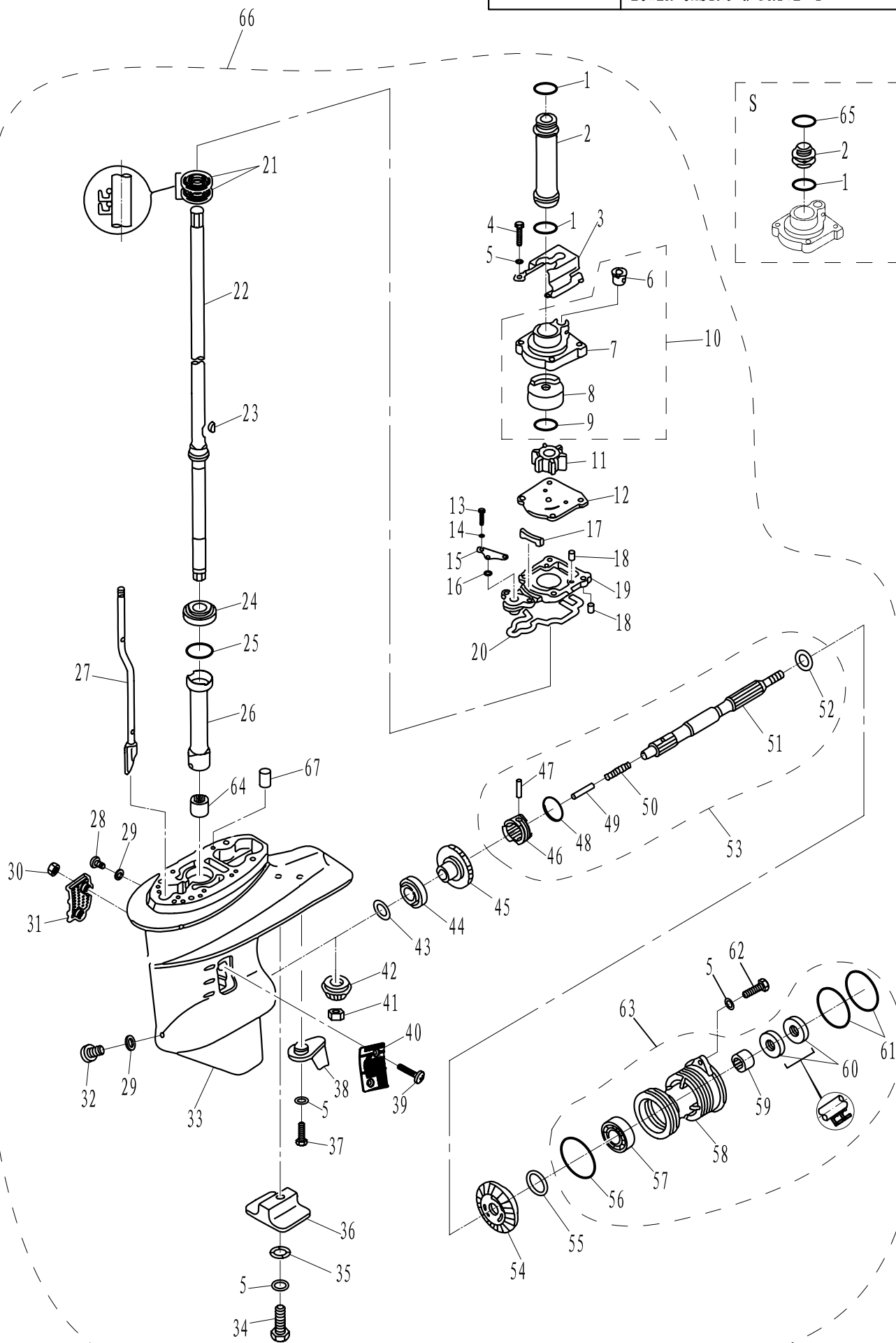
CONTROL SYSTEM II





零部件名称: 水下装置壳体 & 驱动系统 I

PARTS NAME: LOWER CASING & DRIVE I



零部件名称:

水下装置壳体 &amp; 驱动系统 I

PARTS NAME:

LOWER CASING &amp; DRIVE I

SN. 参照号码	PART NO. 零件编号	DESCRIPTION 零件名称 (中文)	DESCRIPTION 零件名称 (英文)	QTY 数量				REMARKS 备注
1	GB/T3452.1-25.8x2.65	O形圈25.8x2.65	O-RING 25.8x2.65	2				
2	F25-04000017L	驱动轴尼龙套(长)	TUBE , WATER (L)	1				L
	F25-04000017S	驱动轴尼龙套(短)	TUBE , WATER (S)	1				S
3	F25-040000016	泵壳异形固定板	FIXED PLATE, WATER PUMP	1				L
4	GB/T5782-M6x40	六角螺栓M6×40	BOLT M6x40	4				
5	GB/T97.1-6	平垫圈6	WASHER 6	8				
6	F25-04050004	水管密封圈	DAMPER , WATER PIPE	1				
7	F25-04050001	水泵壳体	SHELL , WATER PUMP	1				
8	F25-04050002	水泵内壳	SHELL , INNER	1				
9	F25-04050003	水泵壳体O形密封圈	O-RING	1				
10	F25-04050000	水泵壳体组件	SHELL ASSY, WATER PUMP	1				
11	F25-04040000	水泵叶轮组件	IMPELLER ASSY	1				
12	F25-04000014	外档板	OUTER PLATE	1				
13	GB/T5783-M6x25	六角螺栓M6×25	BOLT M6x25	2				
14	GB/T97.1-6	平垫圈6	WASHER 6	2				
15	F25-04000012	O形圈档板	PLATE , O-RING	1				
16	F15-06020004	O形密封圈	O-RING	1				
17	F25-04000013	水封	WATER SEAL	1				
18	F25-04000007	定位销Φ4x10	PIN, DOWEL	3				
19	F25-04000008	驱动轴座	BASE , DRIVE SHAFT	1				
20	F25-04000009	异形密封圈	SEAL	1				
21	F25-04010003	驱动轴油封22x36x6	OIL SEAL , DRIVE SHAFT	2				
22	F25-04010000L	驱动轴组件(L)	DRIVE SHAFT ASSY (L)	1				L
	F25-04010000S	驱动轴组件(S)	DRIVE SHAFT ASSY (S)	1				S
23	F25-04000015	半圆键	SEMICIRCULAR KEY	1				
24	HR32004XJ	驱动轴圆锥滚子轴承	HOUSING, BEARING	1				
25	F25-04000003-1	驱动轴填隙片(t: 0.7毫米)	SHIM (t: 0.7mm)					
	F25-04000003-2	驱动轴填隙片(t: 1.0毫米)	SHIM (t: 1.0mm)					
	F25-04000003-3	驱动轴填隙片(t: 1.1毫米)	SHIM (t: 1.1mm)					
	F25-04000003-4	驱动轴填隙片(t: 1.2毫米)	SHIM (t: 1.2mm)					
	F25-04000003-5	驱动轴填隙片(t: 1.3毫米)	SHIM (t: 1.3mm)					
	F25-04000003-6	驱动轴填隙片(t: 1.4毫米)	SHIM (t: 1.4mm)					
	F25-04000003-7	驱动轴填隙片(t: 1.5毫米)	SHIM (t: 1.5mm)					
	F25-04000003-8	驱动轴填隙片(t: 1.6毫米)	SHIM (t: 1.6mm)					
26	F25-04000002	长尼龙套管	BUSHING , NYLON	1				
27	T20-05010000L	变档凸轮组件(L)	CAM ASSY, SHIFT ROD (L)	1				L
	F25-04030001S	变档凸轮组件(S)	CAM ASSY, SHIFT ROD (S)	1				S
28	F4-03000023	注油孔螺塞	PLUG, HOLE OIL	1				
29	F4-03000024	注油孔螺塞垫圈	GASKET	2				
30	GB/T889.1-M5	I型非金属嵌件六角锁紧螺母M5	NUT, LOCKING M5	2				
31	F25-04000023	进水口B	WATER INLET "B"	1				
32	F25-04000031	放油螺塞	PLUG, DRAIN	1				
33	F25-04000001	水下装置壳体	LOWER CASING	1				

零部件名称:

水下装置壳体 &amp; 驱动系统 I

PARTS NAME:

LOWER CASING &amp; DRIVE I

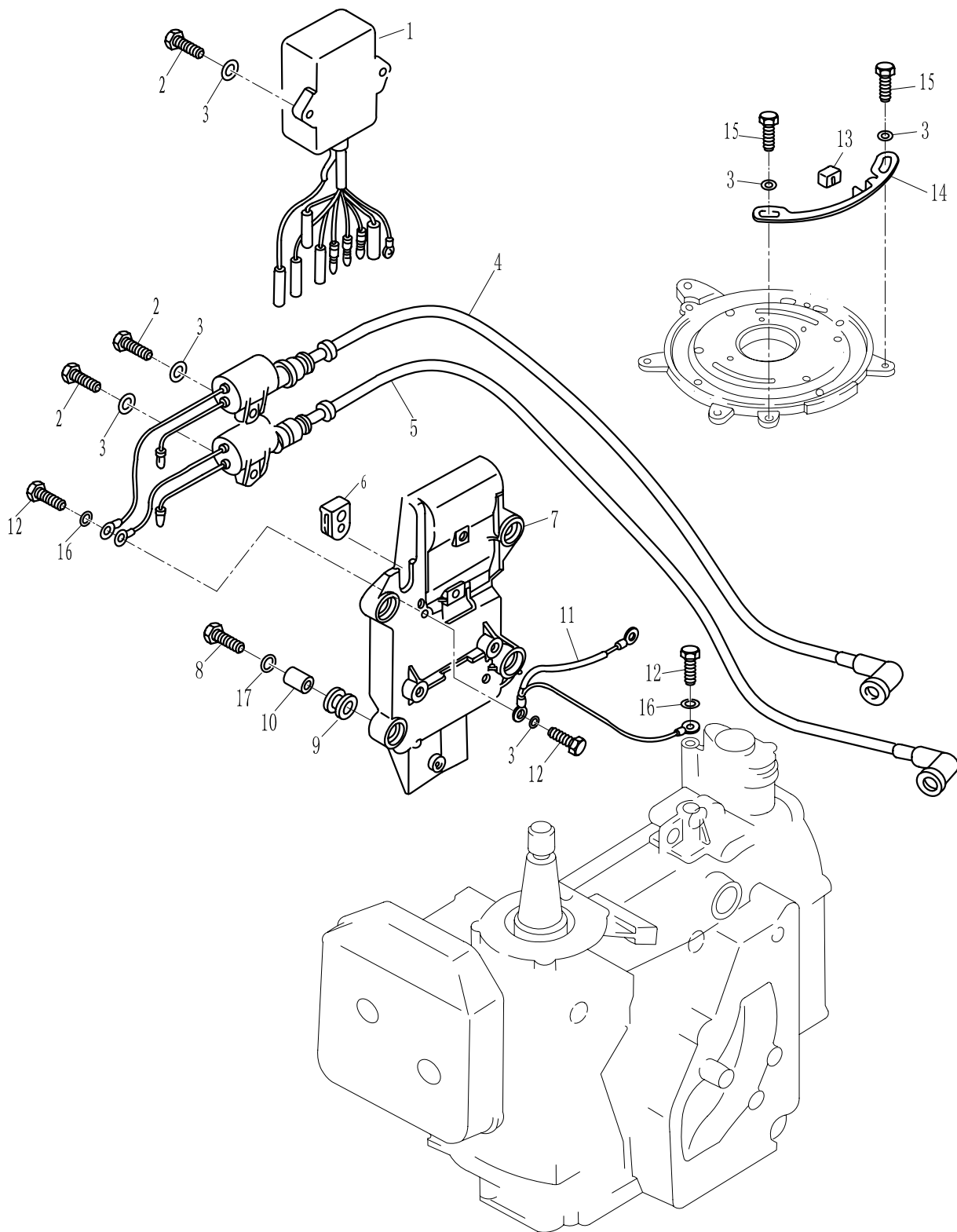
SN. 参照号码	PART NO. 零件编号	DESCRIPTION 零件名称 (中文)	DESCRIPTION 零件名称 (英文)	QTY 数量					REMARKS 备注
34	GB/T5782-M6x35	六角螺栓M6×35	BOLT M6x35	1					
35	GB/T861.1-6	内齿锁紧垫圈6	LOCKING WASHER 6	1					
36	F15-06000004	水下装置阳极	ANODE, LOWER	1					
37	GB/T5783-M6x20	六角螺栓M6×20	BOLT M6x20	1					
38	F25-04000021	航向调整片	TAB, COURSE	1					
39	GB/T820-M5x30	十字槽半沉头螺钉M5×30	SCREW, PAN HEAD M5x30	1					
40	F25-04000022	进水口A	WATER INLET "A"	1					
41	F25-04000006	小齿轮螺母	NUT, PINION	1					
42	F25-04000005	小齿轮	PINION	1					
43	F25-04000004-1	正档齿轮填隙片 (t: 1.0毫米)	SHIM (t: 1.0mm)						
	F25-04000004-2	正档齿轮填隙片 (t: 1.1毫米)	SHIM (t: 1.1mm)						
	F25-04000004-3	正档齿轮填隙片 (t: 1.2毫米)	SHIM (t: 1.2mm)						
	F25-04000004-4	正档齿轮填隙片 (t: 1.3毫米)	SHIM (t: 1.3mm)						
	F25-04000004-5	正档齿轮填隙片 (t: 1.4毫米)	SHIM (t: 1.4mm)						
44	HR 30205 J	圆锥滚子轴承	TAPER ROLLER BEARING	1					
45	F25-04020000	正档齿轮组件	GEAR, FORWARD	1					
46	F25-04060003	爪形离合器	CLUTCH, DOG	1					
47	F15-06070004	离合器销	PIN, CLUTCH	1					
48	F15-06070005	离合器簧环	RING, CLUTCH	1					
49	F25-04060006	变档柱塞	PLUNGER, SHIFT	1					
50	F25-04060002	离合器弹簧	SPRING, CLUTCH	1					
51	F25-04060001	螺旋浆轴	SHAFT, PROPELLER	1					
52	F25-04060007	倒档齿轮垫圈	PLATE, REVERSE GEAR	1					
53	F25-04060000	螺旋浆轴组件	PROPELLER SHAFT ASSY	1					
54	F25-04070004	倒档齿轮	GEAR, REVERSE	1					
55	F25-04070005-1	倒档齿轮填隙片 (t: 1.0毫米)	SHIM (t: 1.0mm)						
	F25-04070005-2	倒档齿轮填隙片 (t: 1.1毫米)	SHIM (t: 1.1mm)						
	F25-04070005-3	倒档齿轮填隙片 (t: 1.2毫米)	SHIM (t: 1.2mm)						
	F25-04070005-4	倒档齿轮填隙片 (t: 1.3毫米)	SHIM (t: 1.3mm)						
56	F25-04070002	水下装置壳体盖O形圈A	O-RING A	1					
57	GB/T276-6006/P6	深沟球轴承 6006	BALL BEARING	1					
58	F25-04070001	水下装置壳体盖	COVER, LOWER CASING	1					
59	GB/T290-HK2016	滚针轴承26x20x16	ROLLER GEARING	1					
60	F25-04070006	油封20x34x6.5	OIL SEAL	2					
61	F25-04070003	水下装置壳体盖O形圈B	O-RING B	2					
62	GB/T5783-M6x20	六角头螺栓M6x20	BOLT M6x20	2					
63	F25-04070000	水下装置壳体盖组件	COVER ASSY, LOWER CASING	1					
64	GB/T290 F-2020	滚针轴承	NEEDLE BEARING	1					
65	GB/T3452.1-21.2x1.8	O形圈21.2x1.8	O-RING 21.2x1.8	1					
66	T20-05000000L	水下装置壳体组件(长)	LOWER CASING ASSY (L)	1					L
	T20-05000000S	水下装置壳体组件(短)	LOWER CASING ASSY (S)	1					S
67	F15-00000006	定位销 $\phi 6 \times 12$	DOWEL PIN $\phi 6 \times 12$	2					





零部件名称: 电气系统 I

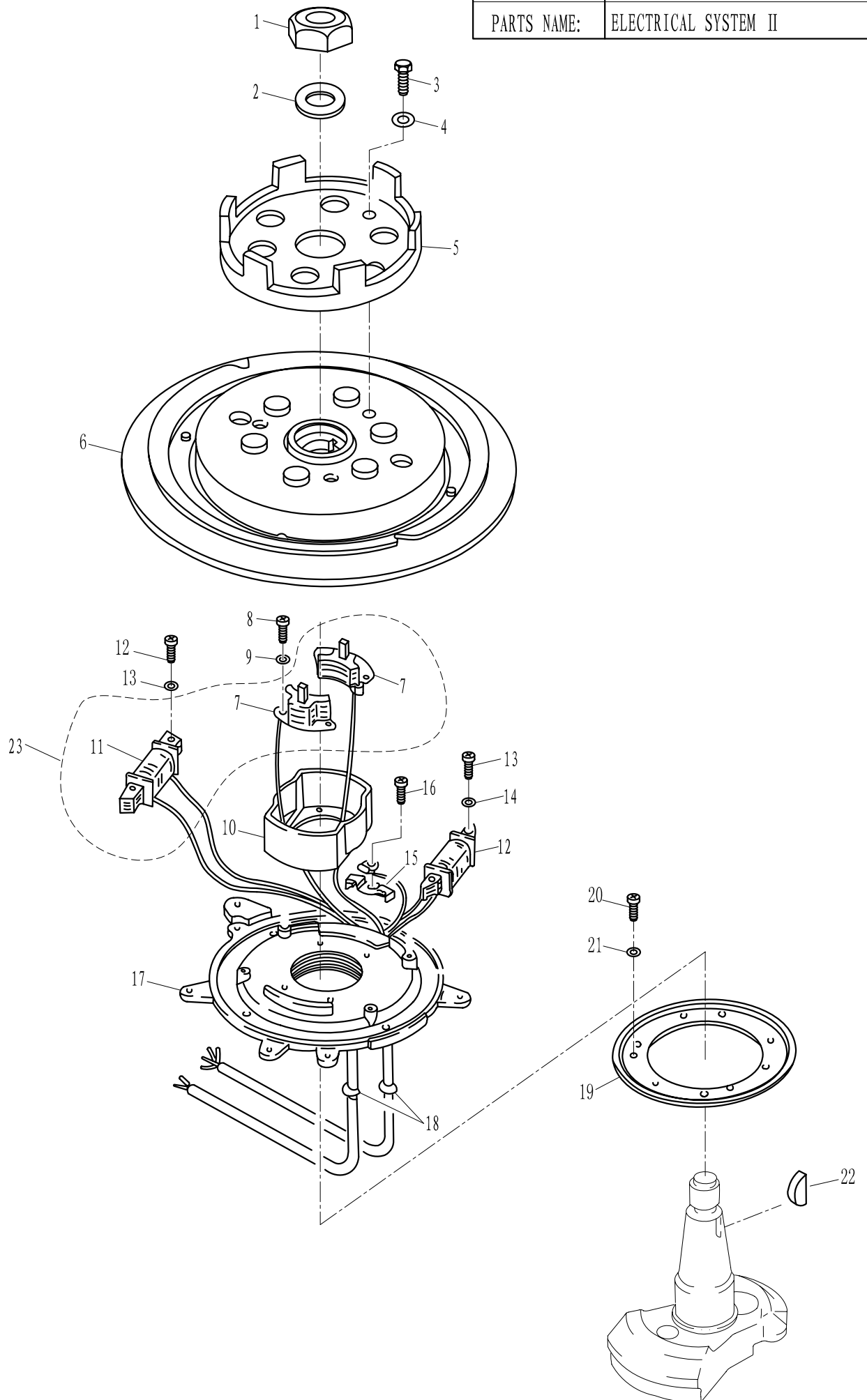
PARTS NAME: ELECTRICAL SYSTEM I





零部件名称: 电气系统 II

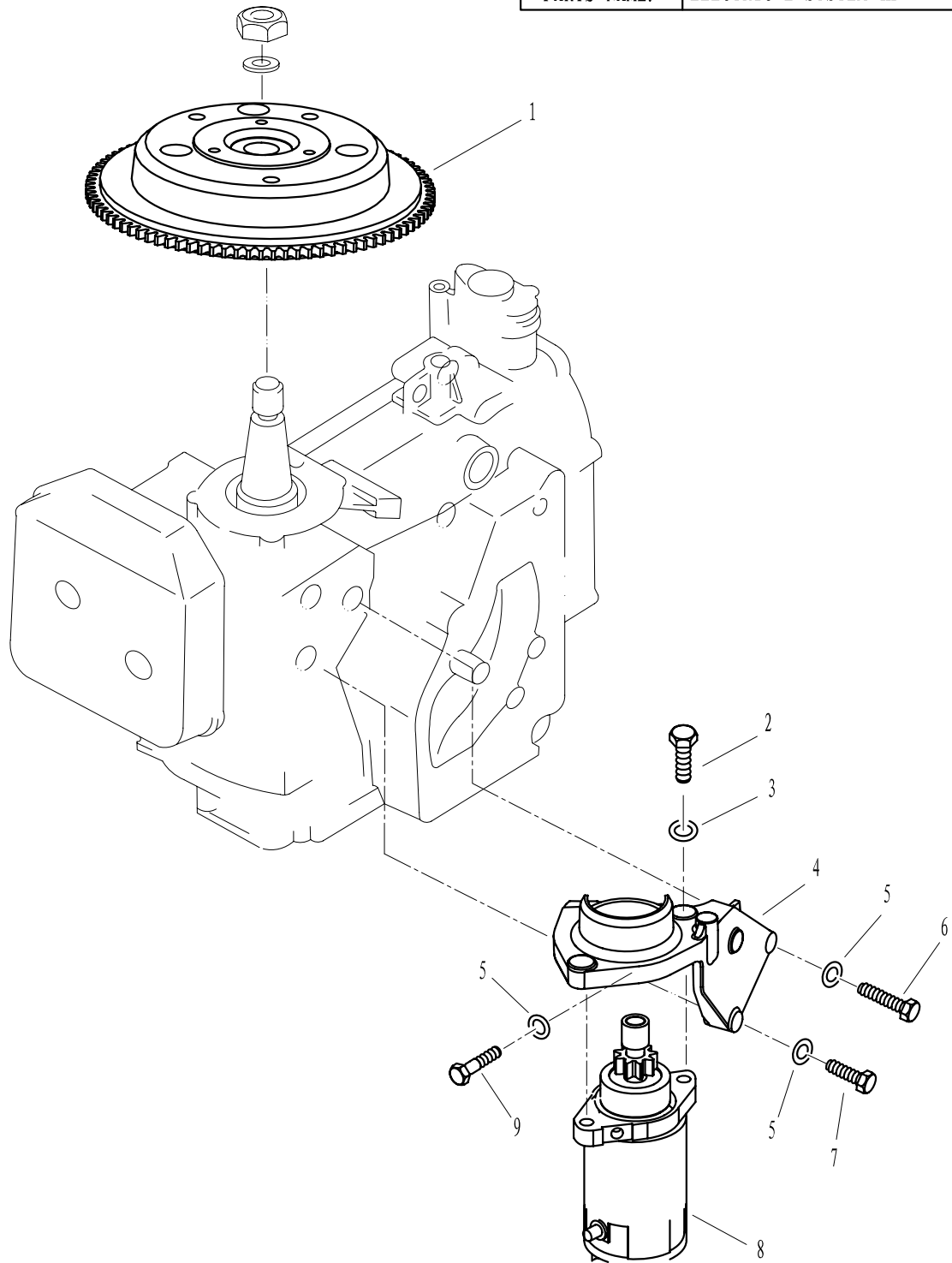
PARTS NAME: ELECTRICAL SYSTEM II





零部件名称: 电气系统III

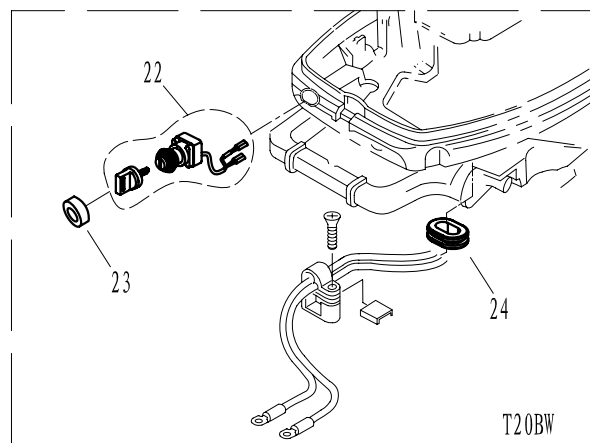
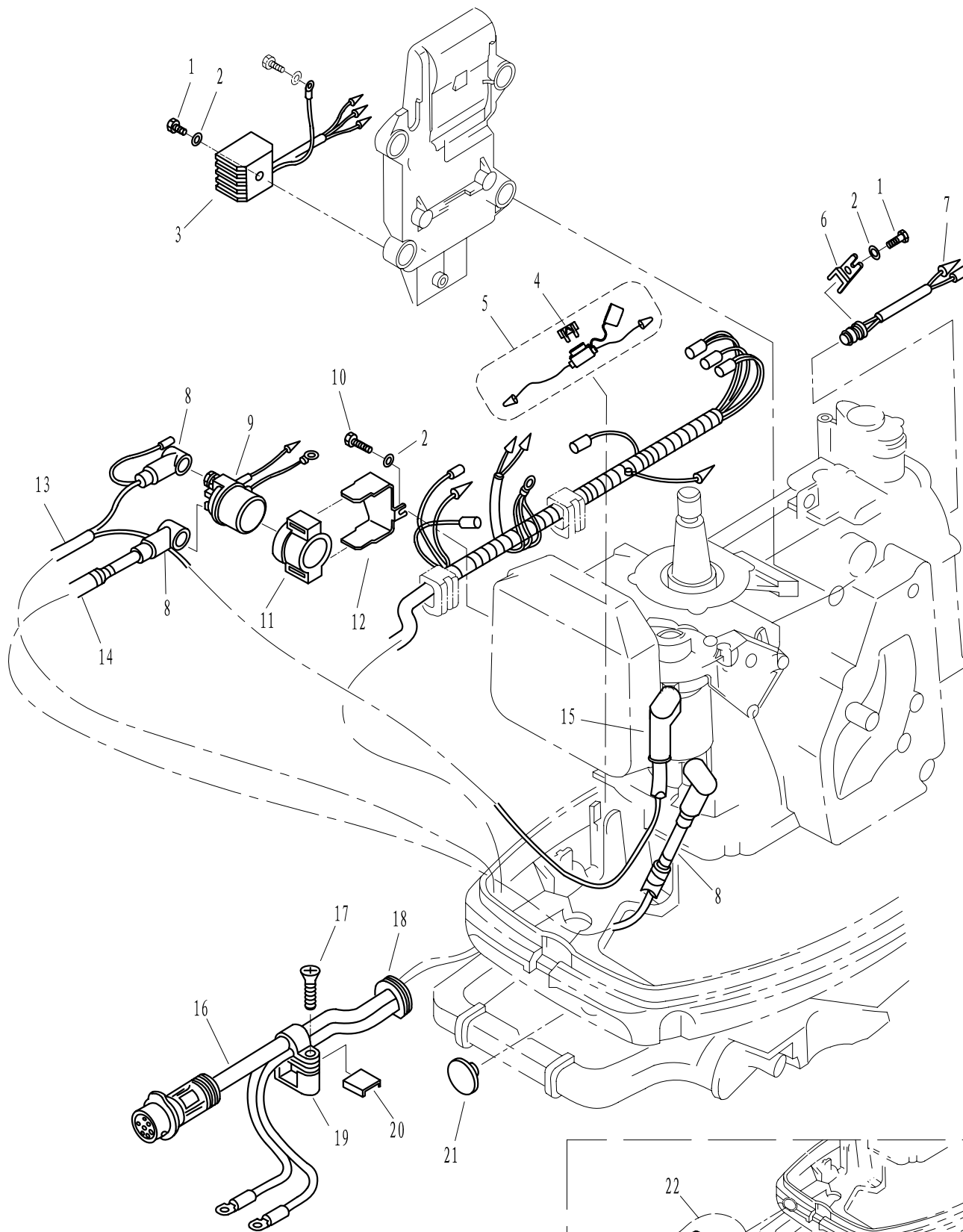
PARTS NAME: ELECTRICAL SYSTEM III



SN. 参照号码	PART NO. 零件编号	DESCRIPTION 零件名称(中文)	DESCRIPTION 零件名称(英文)	QTY 数量					REMARKS 备注
1	T20-06000600W	飞轮组件	FLYWHEEL ASSY	1					
2	GB/T5783-M8x30	六角螺栓M8x30	BOLT M8x30	2					
3	GB/T97.1-8	平垫圈8	WASHER 8	2					
4	T20-06000015W	电机固定板	PLATE	1					
5	GB/T97.1-6	平垫圈6	WASHER 6	4					
6	GB/T5782-M6x50	六角螺栓M6x50	BOLT M6x50	1					
7	GB/T5783-M6x30	六角螺栓M6x30	BOLT M6x30	2					
8	T20-06000900W	启动电机	STARTUP MOTOR	1					
9	GB/T5782-M6x45	六角螺栓M6x45	BOLT M6x45	1					

零部件名称: 电气系统IV

PARTS NAME: ELECTRICAL SYSTEM IV

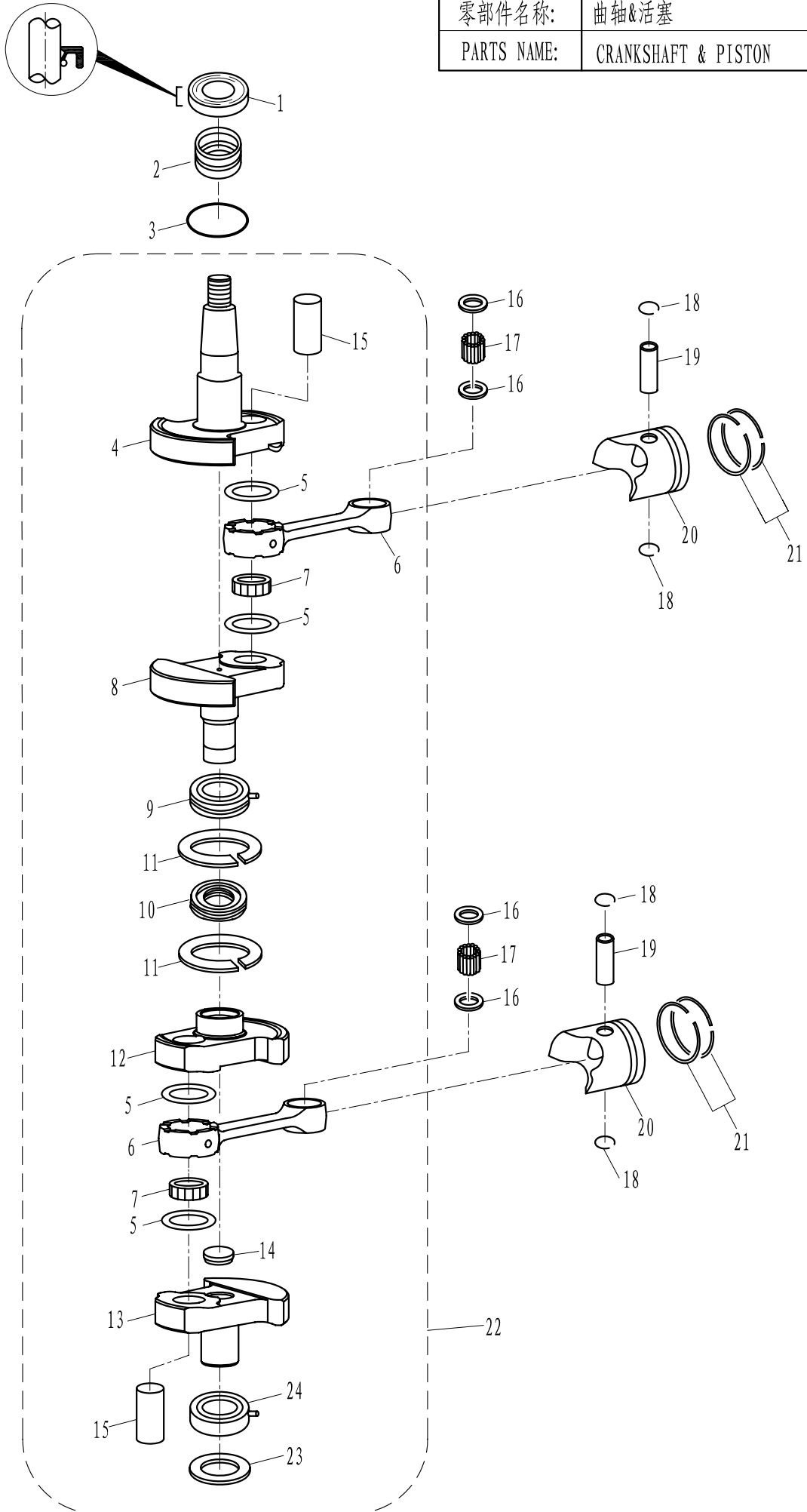


T20BW



零部件名称: 曲轴&活塞

PARTS NAME: CRANKSHAFT & PISTON

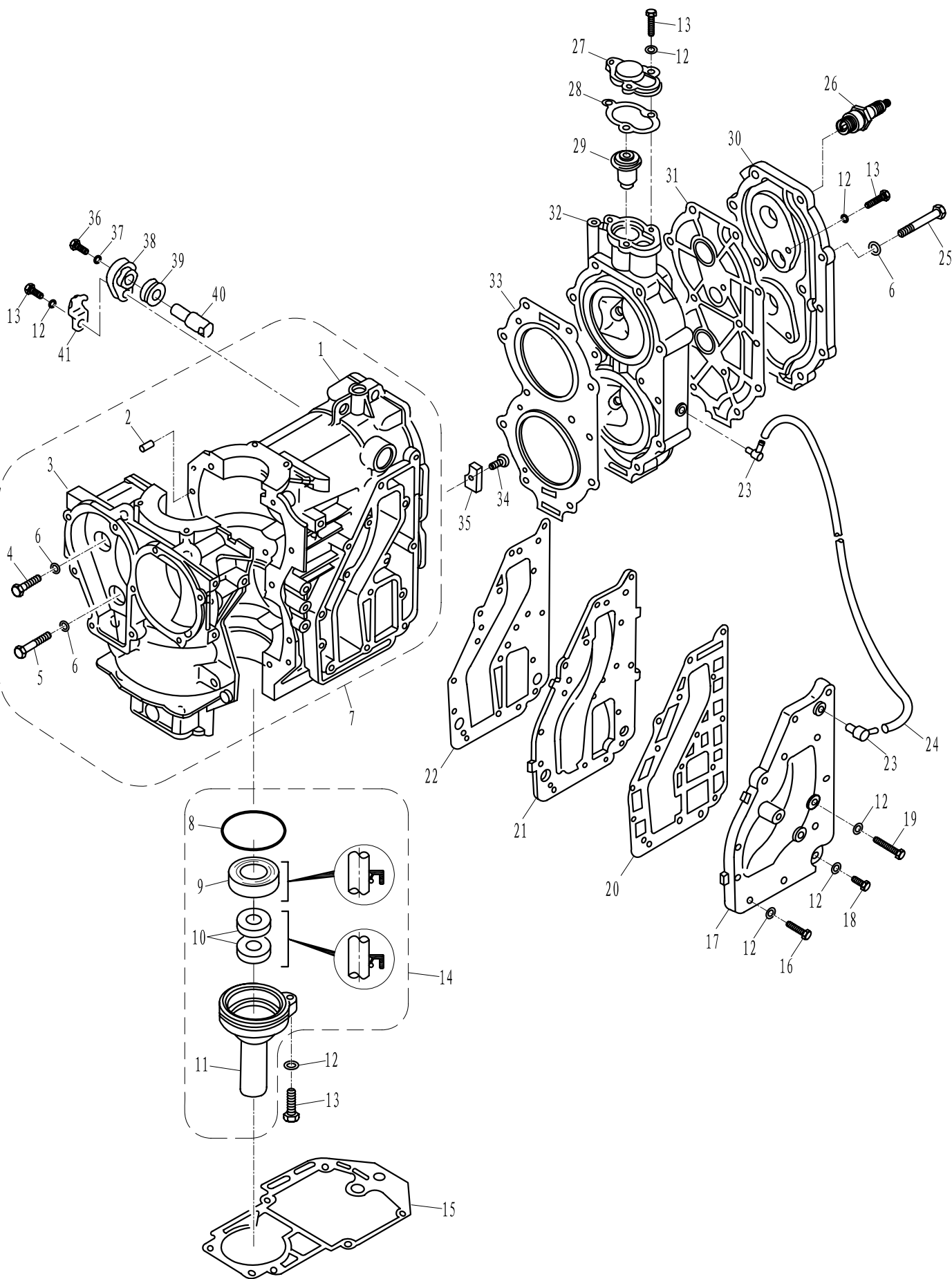






零部件名称: 曲轴箱

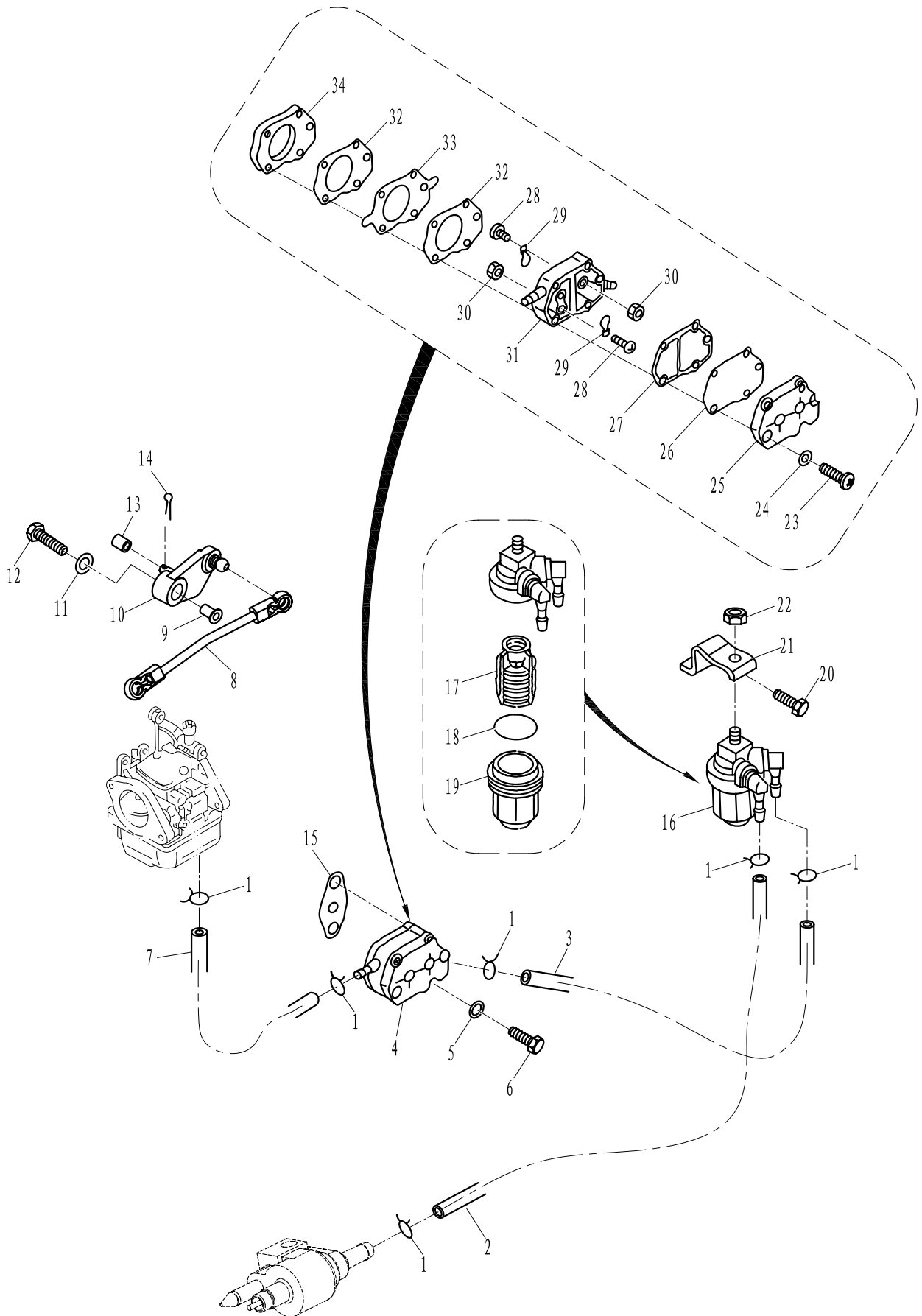
PARTS NAME: CRANKCASE





零部件名称: 燃油系统

PARTS NAME: FUEL SYSTEM



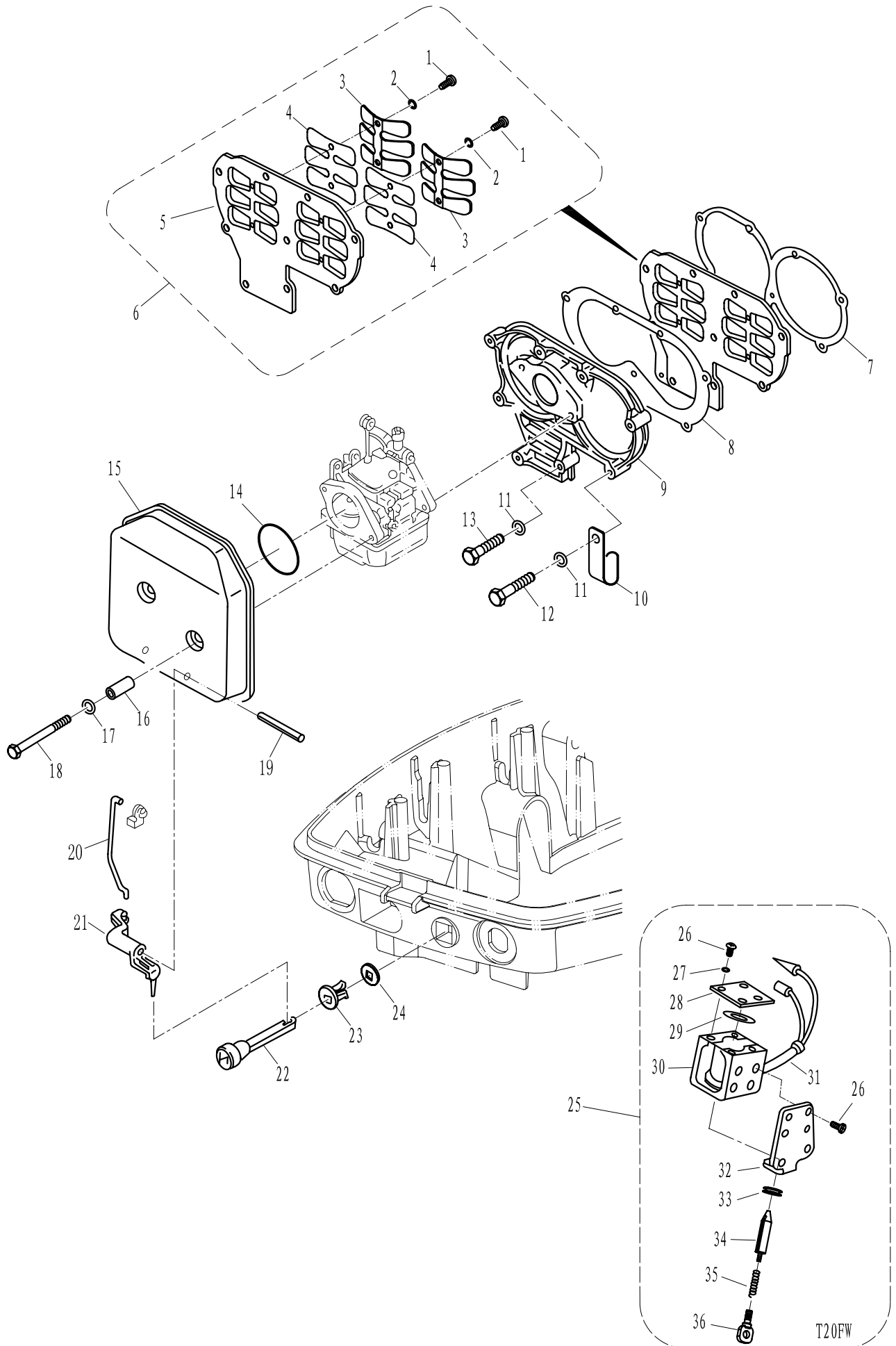


零部件名称:

进气系统

PARTS NAME:

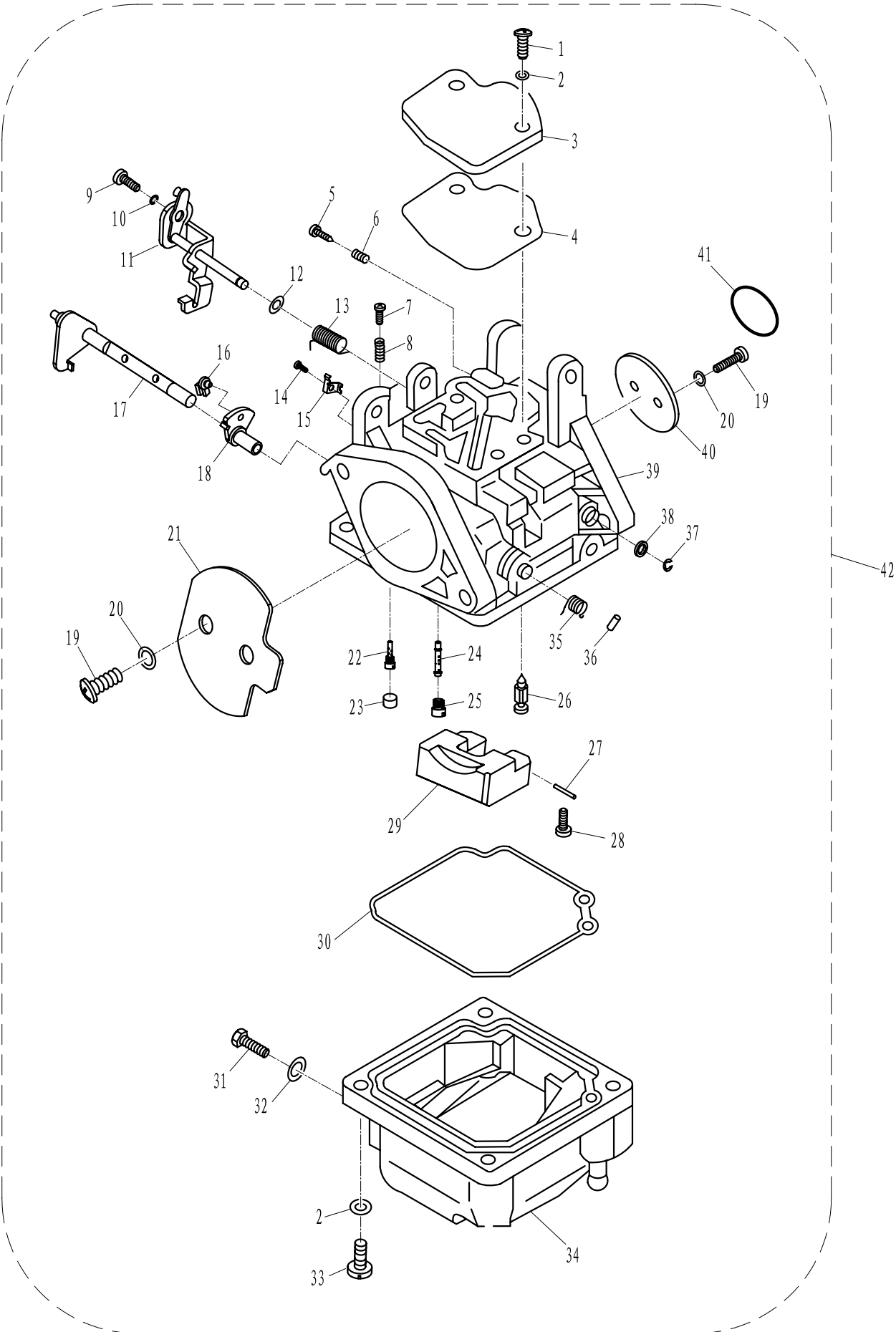
INTAKE SYSTEM





零部件名称: 化油器总成

PARTS NAME: CARBURETOR ASSY





零部件名称:

化油器总成

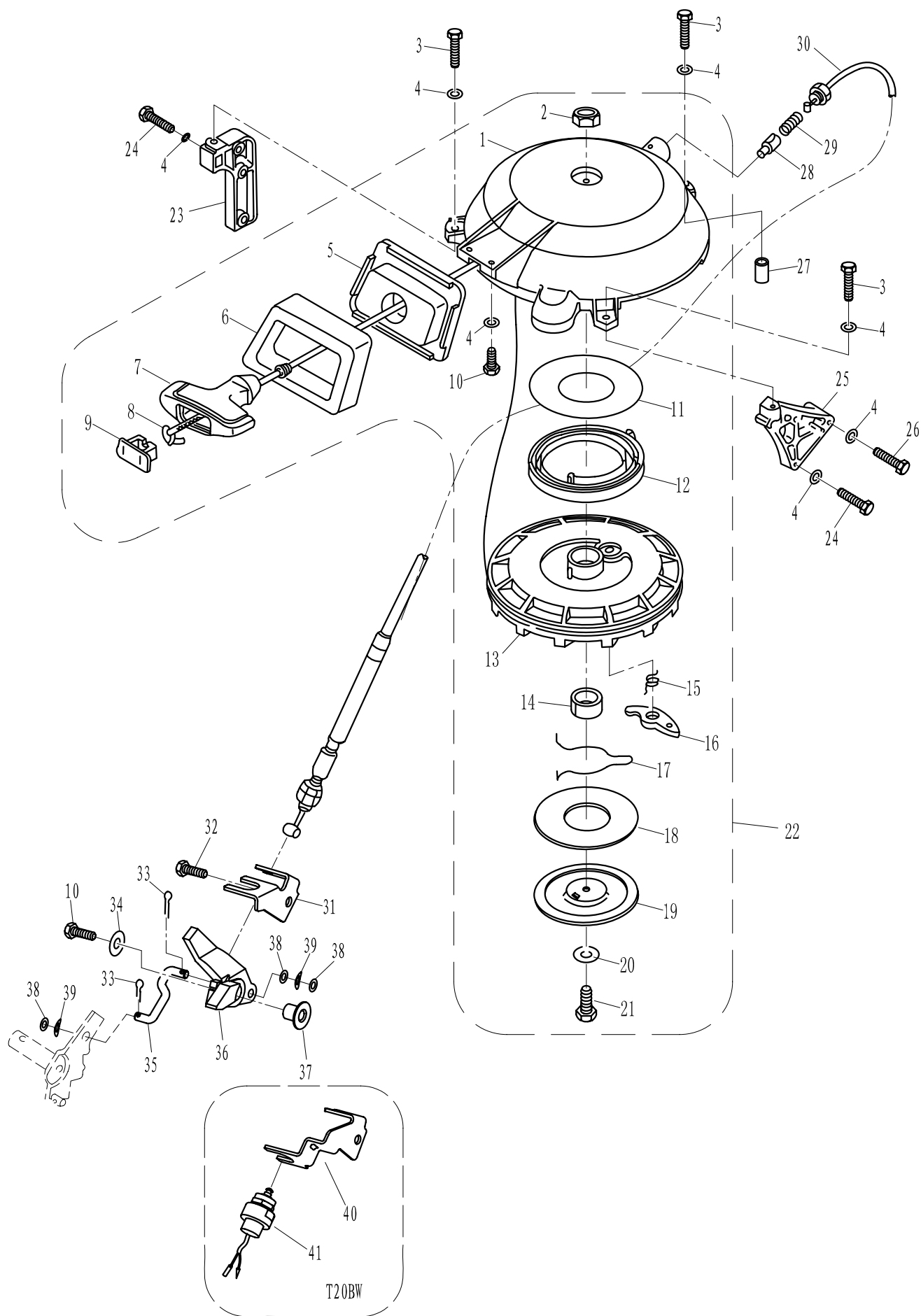
PARTS NAME:

CARBURETOR ASSY

SN. 参照号码	PART NO. 零件编号	DESCRIPTION 零件名称(中文)	DESCRIPTION 零件名称(英文)	QTY 数量					REMARKS 备注
1	GB/T818-M4x10	十字槽盘头螺钉 M4x10	SCREW M4x10	2					
2	GB/T93-4	弹性垫圈 4	SPRING-WASHER 4	6					
3	T20-06000702	面板	PLATE	1					
4	T20-06000703	衬垫	GASKET	1					
5	T20-06000704	急速螺钉	SCREW, AIR ADJUSTING	1					
6	T20-06000705	急速螺钉弹簧	SPRING, AIR ADJUSTING	1					
7	T20-06000706	油门止动螺钉	BOLT	1					
8	T20-06000707	油门止动螺钉弹簧	SPRING, THORTEL	1					
9	GB/T818-M5x10	十字槽盘头螺钉 M5x10	SCREW M5x10	1					
10	GB/T96-5	平垫圈 5	WASHER 5	1					
11	T20-06000708	油门摆杆	ACCELERATOR BAR	1					
12	T20-06000710	油门摆杆垫圈	WASHER, ACCELERATOR BAR	1					
13	T20-06000711	油门摆杆扭簧	WRING SPRING, ACCELERATOR BAR	1					
14	GB/T818-M4x6	十字槽盘头螺钉 M4x6	SCREW M4x6	1					
15	T20-06000720	阻风门弹片	SHRAPNEL, AIR CHOKE	1					
16	T20-06000713	油门控制器连杆接头	TIE-IN	1					
17	T20-06000712	阻风门摆杆	SWING LINK, AIR CHOKE	1					
18	T20-06000714	阻风门摆杆衬套	BUSH, SWING LINK	1					
19	GB/T818-M3x6	十字槽盘头螺钉 M3x6	BOLT M3x6	4					
20	GB/T93-3	弹性垫圈 3	SPRING-WASHER 3	4					
21	T20-06000715	阻风门挡板	APRON, AIR CHOKE	1					
22	T20-06000716	空气减速量孔	SLOW JET	1					
23	T20-06000717	胶帽	RUBBER CAP	1					
24	T20-06000718	主喷嘴	MAIN NOZZLE	1					
25	T20-06000719	主量孔	MAIN JET	1					
26	T20-06000721	针阀	NEEDLE VALVE	1					
27	T20-06000723	浮子销	PIN, FLOAT	1					
28	GB/T818-M4x8	十字槽盘头螺钉 M4x8	BOLT M4x8	1					
29	T20-06000722	浮子	FLOAT	1					
30	T20-06000724	油杯本体密封垫	GASKET, OIL CUP	1					
31	T20-06000725	放油螺塞	DRAIN SCREW	1					
32	T20-06000726	放油螺塞垫片	GASKET	1					
33	GB/T818-M4x12	十字槽盘头螺钉M4x12	BOLT M4x12	4					
34	T20-06000727	油杯本体	OIL CUP	1					
35	T20-06000728	阻风门摆杆扭簧	WRING SPRING, WRING LINK	1					
36	GB/T879. 2-3	轻型直槽弹性圆柱销3X12	PIN 3x12	1					
37	GB/T896-4	开口挡圈 4	CIRCLIP 4	1					
38	T20-06000729	尼龙垫圈	NYLON WASHER	1					
39	T20-06000701	化油器本体	CARBURETOR BODY	1					
40	T20-06000730	油门挡板	APRON, ACCELERATOR	1					
41	T20-06000731	化油器O型圈	O-RING	1					
42	T20-06000700	化油器总成	CARBURETOR ASSY	1					

零部件名称: 起动器

PARTS NAME: STARTER



零部件名称:

起动机

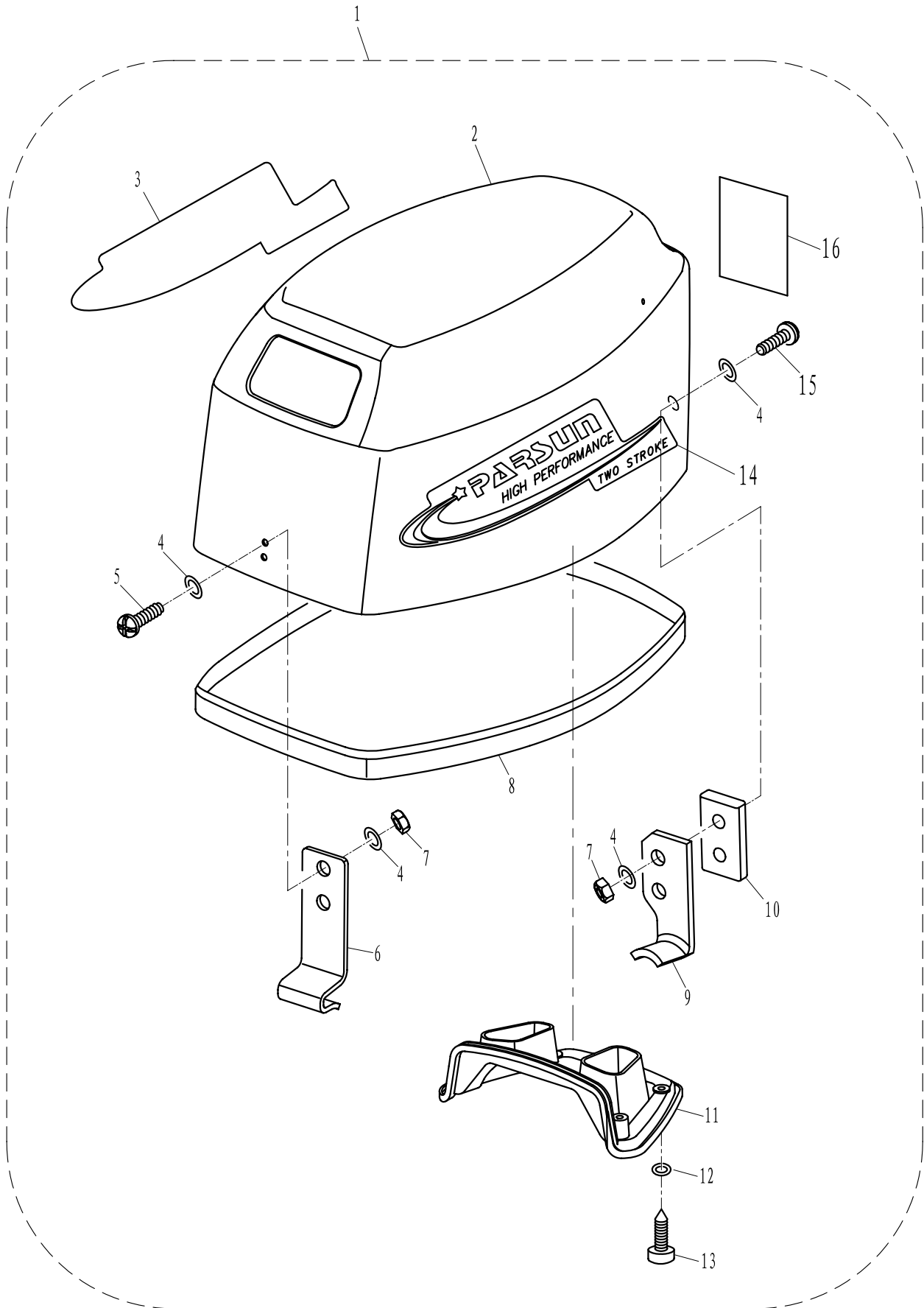
PARTS NAME:

STARTER

SN. 参照号码	PART NO. 零件编号	DESCRIPTION 零件名称 (中文)	DESCRIPTION 零件名称 (英文)	QTY 数量					REMARKS 备注
1	T20-06060001	起动机外壳	STARTER	1					
2	GB/T6170-M8	六角螺母 M8	NUT M8	1					
3	GB/T5783-M6x35	六角螺栓 M6x35	BOLT M6x35	3					
4	GB/T97.1-6	平垫圈 6	WASHER 6	10					
5	T20-06060002	起动导向器	GUIDE, STARTER	1					
6	T20-06060012	发泡密封圈	SEAL, FROTHY RUBBER	1					
7	F25-05160500	起动手柄组件	HANDLE ASSY, STARTER	1					
8	F15-07130205	起动绳 (Φ5.5X1.80米)	START LINE	1					
9	F4-04130102	起动手柄盖	COVER, HANDLE	1					
10	GB/T5783-M6x20	六角螺栓 M6x20	BOLT M6x20	3					
11	T20-06060003	减磨片	ANTIFRICTION WASHER	1					
12	T20-06060004	涡形弹簧	VOLUTE SPRING	1					
13	T20-06060006	起动轮	WHEEL, START-UP	1					
14	T20-06060005	起动轮衬套	BUSH, START-UP WHEEL	1					
15	T20-06060008	卡瓣扭簧	SPRING, TENSION	1					
16	T20-06060007	起动卡瓣	PAWL, DRIVE	1					
17	T20-06060011	压板弹簧	SPRING, PLATE	1					
18	T20-06060010	起动轮减磨片	ANTIFRICTION WASHER, START WHEEL	1					
19	T20-06060009	起动轮压板	PLATE, START WHEEL	1					
20	GB/T93-8	弹性垫圈 8	SPRING-WASHER 8	1					
21	GB/T5783-M8x35	六角螺栓 M8x35	BOLT M8x35	1					
22	T20-06060000	起动机组件	STARTER ASSY	1					
23	T20-06000016	起动机右支架	BRACKET (RIGHT), STARTER	1					
24	GB/T5783-M6x25	六角螺栓 M6x25	BOLT M6x25	4					
25	T20-06000015	起动机左支架	BRACKET (LEFT), STARTER	1					
26	GB/T5782-M6x45	六角螺栓 M6x45	BOLT M6x45	1					
27	T20-06000030	空心定位销 Φ10x14	HOLLOW PIN Φ10x14	1					
28	T20-06000502	制动器接头	TIE-IN, ARRESTER	1					
29	T20-06000501	制动器弹簧	SPRING, ARRESTER	1					
30	T20-06000500	制动器钢索组件	TIGHTWIRE ASSY, ARRESTER	1					
31	T20-06000024	制动器固定板	PLATE, ARRESTER	1					
32	GB/T5783-M6x10	六角螺栓 M6x10	BOLT M6x10	1					
33	GB/T91-Φ1.2x12	开口销 Φ1.2x12	COTTER PIN Φ1.2x12	2					
34	GB/T96-6	大垫圈 6	BIG WASHER 6	1					
35	T20-06000027	限位板连杆	CONNECTING ROD, LIMITED PLATE	1					
36	T20-06000025	制动器限位板	LIMITED PLATE, ARRESTER	1					
37	T20-06000026	制动器限位板垫管	COLLAR, LIMITED PLATE	1					
38	GB/T97.1-5	平垫圈 5	WASHER 5	3					
39	GB/T860-5	鞍形弹性垫圈 5	SPRING-WASHER 5	2					
40	T20-06000024W	制动器固定板 (BW)	PLATE, ARRESTER (BW)	1					BW
41	T20-06000037W	微动开关 (BW)	SWITCH (BW)	1					BW

零部件名称: 顶罩组件

PARTS NAME: TOP COWLING ASSY





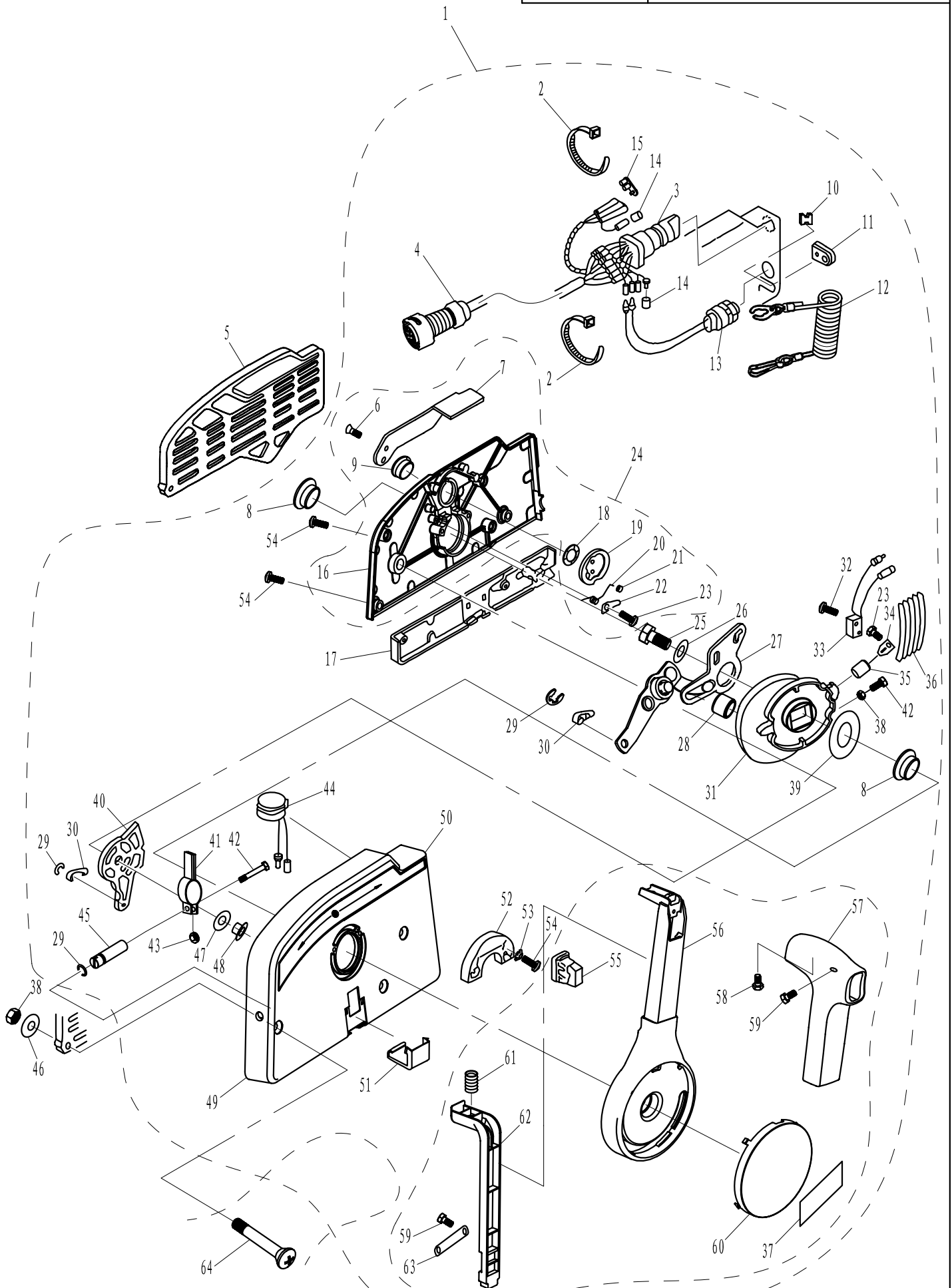


零部件名称:

操纵盒组件

PARTS NAME:

CONTROL BOX ASSY



零部件名称:

操纵盒组件

PARTS NAME:

CONTROL BOX ASSY

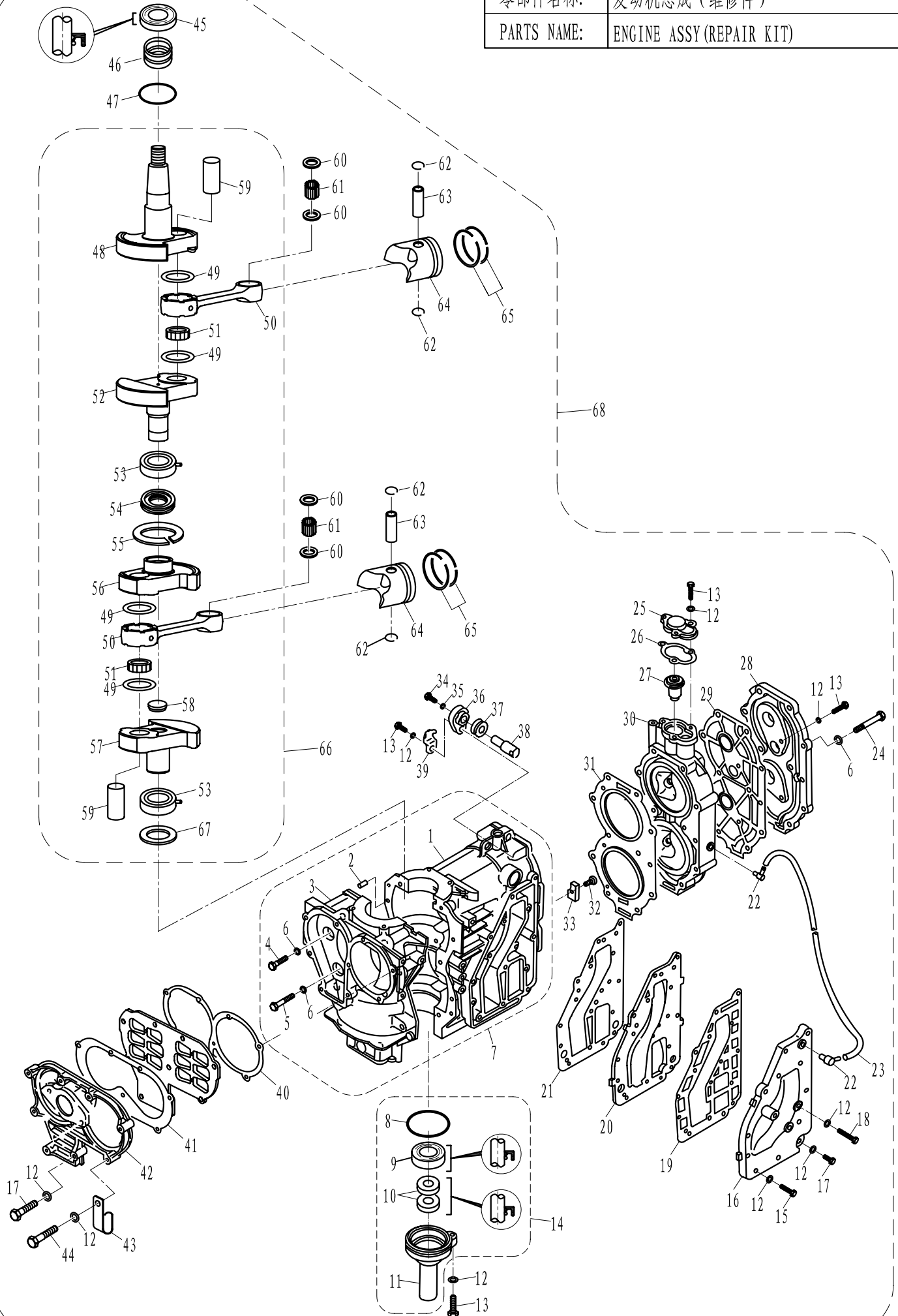
SN. 参照号码	PART NO. 零件编号	DESCRIPTION 零件名称(中文)	DESCRIPTION 零件名称(英文)	QTY 数量					REMARKS 备注
1	T20-1300000W	操纵盒组件	CONTROL BOX ASSY	1					
2	HT2.5*60	尼龙扎带	CLAMP	2					
3	F15-13000200W	启动开关组件	STARTING SWICH ASSY	1					
4	F15-13000100W	操纵线束组件	CONTROL CABLE ASSY	1					
5	F15-11000002W	操纵盒安装板	PLATE ,CONTROL BOX	1					
6	GB/T819.2-M5X12	十字槽沉头螺钉M5×12	SCREW PAN HEAD M5x12	2					
7	F15-13020007W	油门微调手柄	THROTTLE HANDLE ,INCHING	1					
8	F15-13000005W	凸轮机构衬套	BUSH ,CAM	2					
9	F15-13020006W	微调手柄衬套	BUSH ,HANDLE	1					
10	F15-11000001W	钢索橡胶垫块	BLOCK ,RUBBER	1					
11	F15-13000014W	线索护套	JACKET ,CABLE	1					
12	F4-01090401	引擎停止安全索	STOPER ,HANG ROPE ASS'Y	1					
13	F15-13020400W	急停开关组件	ENGINE STOP SWICH ASS'Y	1					
14	F15-13000203W	绝缘堵头B	INSULATED PLUG "B"	2					
15	F15-13000202W	绝缘堵头A	INSULATED PLUG "A"	1					
16	F15-13020001W	操纵盒盖	COVER ,CONTROL BOX	1					
17	F15-13000013W	操纵盒小盖板	SMALL COVER ,CONTROL BOX	1					
18	F15-13020005W	波形垫圈B	WASHER "B" ,WAVE	1					
19	F15-13020100W	锁紧圆盘组件	LOCKED DISK ASS'Y	1					
20	F15-13020002W	扭簧	TORSTION SPRING	1					
21	F15-13020003W	互锁滑轮	EACH LOCKED PULLEY	1					
22	F15-13020004W	滑轮弹簧压板	PLATE ,PULLEY SPRING	1					
23	GB/T818-M4X6	十字槽盘头螺钉M4×6	PAN HEAD SCREW M4×6	2					
24	F15-13020000W	操纵盒盖组件	COVER ASS'Y,CONTROL BOX	1					
25	GB/T5783-M8X30	六角螺栓M8×30	BOLT M8×30	1					
26	GB/T97.1-8	平垫圈8	WASHER 8	1					
27	T20-13000500W	油门控制机构	MACHINE ,CONTROL ACCELEROGRAPH	1					
28	F15-13000007W	销轴垫圈	WASHER	1					
29	GB/T896-6	开口挡圈6	PIN ,COTTER 8	3					
30	F25-07000007W	操控钢索接头B	CONTROL CABLE TIE-IN "B"	2					
31	F15-13000002W	凸轮机构	CAM MECHANISM	1					
32	GB/T818-M3X14	十字槽盘头螺钉M3×14	PAN HEAD SCREW M3×14	2					
33	F15-13000800W	微动开关	INCHING SWITCH	1					
34	F15-13000003W	档位弹簧片压板	PLATE	1					
35	F15-13000004W	档位滑轮	PULLEY	1					
36	F15-13000001W	档位弹簧片B	SHIFT SPRING PLATE "B"	5					
37	F15-12000016W	标贴16	MARK 16	1					
38	GB/T6170-M6	六角螺母M6	NUT M6	4					
39	F15-13000008W	凸轮机构减磨片	WEARABLE PLATE ,CAM MACHANISM	1					
40	F15-13000700W	变档摆杆	SHIFT SWING LINK	1					
41	F15-13000601W	调节器固定板组件	ADJUSTER FASTNESS ASS'Y	1					
42	GB/T5783-M5X25	六角螺栓M5×25	BOLT M5×25	2					
43	GB/T6170-M5	六角螺母M5	NUT M5	2					





零部件名称: 发动机总成 (维修件)

PARTS NAME: ENGINE ASSY (REPAIR KIT)



零部件名称:

发动机总成(维修件)

PARTS NAME:

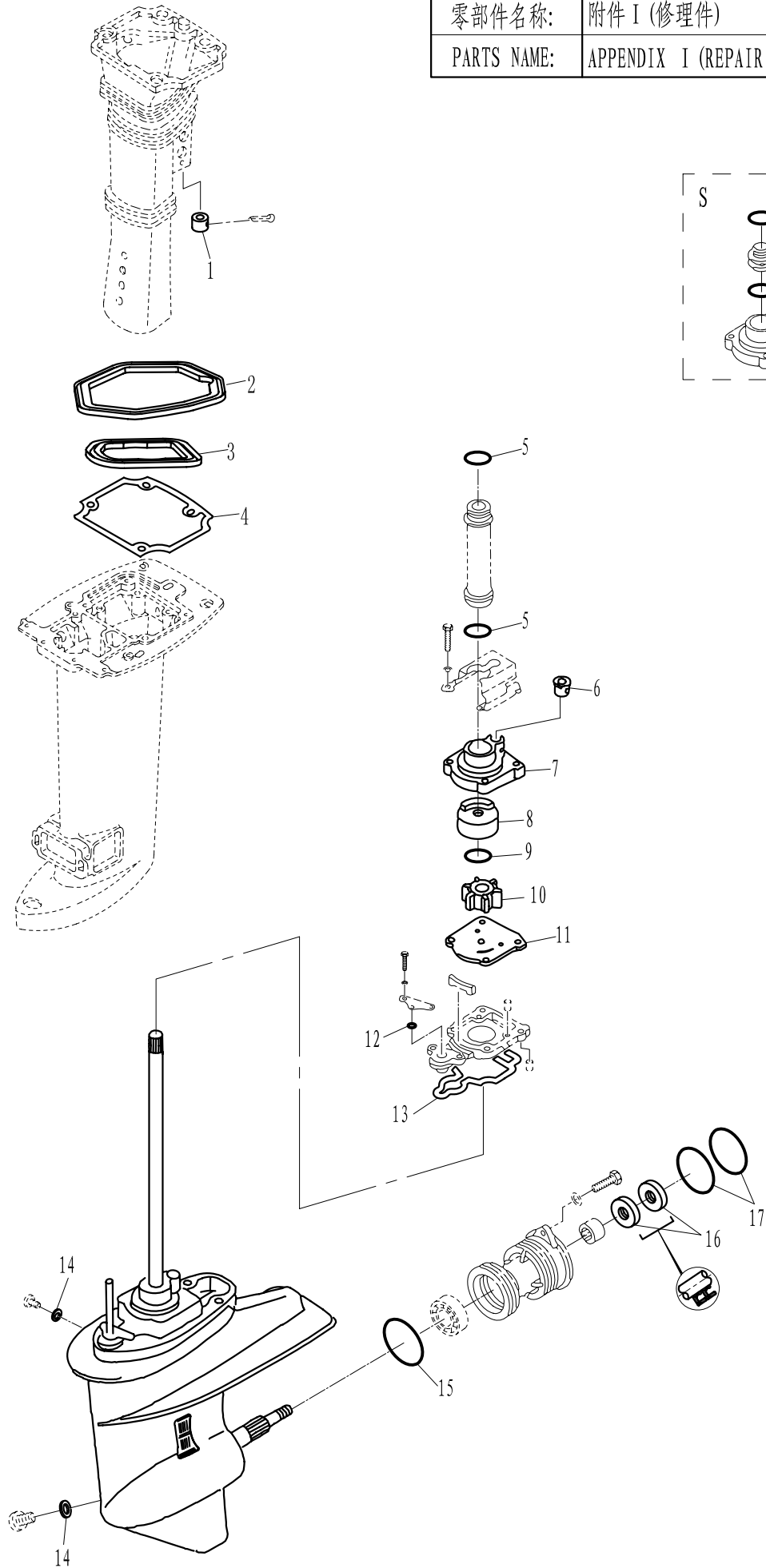
ENGINE ASSY(REPAIR KIT)

SN. 参照号码	PART NO. 零件编号	DESCRIPTION 零件名称(中文)	DESCRIPTION 零件名称(英文)	QTY 数量					REMARKS 备注
1	T20-06010100	机体	CYLINDER CASE	1					
2	F15-00000006	定位销Φ6x12	DOWEL PIN Φ6x12	2					
3	T20-06010001	机座	CRANKCASE	1					
4	T20-06010002	六角螺栓M8x60	BOLT M8x60	8					
5	T20-06010003	六角螺栓M8x45	BOLT M8x45	2					
6	GB/T97.1-8	平垫圈8	WASHER 8	21					
7	T20-06010000	机体机座组件	CRANKCASE ASSY	1					
8	F15-06080002	油封壳体O型圈Φ63x3.1	O-RING Φ63x3.1	1					
9	T20-06000803	油封壳体油封	OIL SEAL 25x48x8	1					
10	F25-02010002	排气歧管座油封	OIL SEAL	2					
11	T20-06000801	油封壳体	CASING, OIL SEAL	1					
12	GB/T97.1-6	平垫圈 6	WASHER 6	21					
13	GB/T5783-M6x20	六角螺栓 M6x20	BOLT M6x20	6					
14	T20-06000800	油封壳体组件	CASING ASSY, OIL SEAL	1					
15	GB/T5783-M6x30	六角螺栓 M6x30	BOLT M6x30	11					
16	T20-06000009	排气外盖	OUTER COVER, EXHAUST	1					
17	GB/T5783-M6x25	六角螺栓 M6x25	BOLT M6x25	3					
18	GB/T5782-M6x50	六角螺栓 M6x50	BOLT M6x50	3					
19	T20-06000010	排气外盖密封垫	GASKET, OUTER COVER	1					
20	T20-06000008	排气内盖	INNER COVER, EXHAUST	1					
21	T20-06000007	排气内盖密封垫	GASKET, INNER COVER	1					
22	F15-04000005	水嘴组件	WATER NIPPLE ASSY	2					
23	T20-06000011	水管Φ10xΦ5x106	WATER PIPE	1					
24	GB/T5782-M8x65	六角螺栓 M8x65	BOLT M8x65	11					
25	T20-06000006	节温器盖	COVER, THERMOSTAT	1					
26	T20-06000005	节温器盖垫	GASKET, THERMOSTAT COVER	1					
27	T15-04000010	节温器	THERMOSTAT	1					
28	T20-06000004	气缸外盖	OUTER COVER, CYLINDER	1					
29	T20-06000003	气缸盖垫	GASKET, CYLINDER COVER	1					
30	T20-06000002	气缸盖	CYLINDER COVER	1					
31	T20-06000001	缸头复合垫	GASKET, CYLINDER HEAD	1					
32	GB/T819.1-M6x20	沉头螺钉 M6x20	BOLT M6x20	1					
33	T20-06000032	机体阳极	ANODE, CYLINDER CASE	1					
34	GB/T818-M5x12	十字槽盘头螺钉 M5x12	SCREW, PAN HEAD M5x12	1					
35	GB/T97.1-5	平垫圈5	WASHER 5	1					
36	F15-07010011	阳极盖板	COVER, ANODE	1					
37	F15-07010009	阳极密封圈	SEAL, ANODE	1					
38	F15-07010008	机体阳极	ANODE	1					
39	F15-07010012	阳极锁止片	PLATE, ANODE	1					
40	T20-06000012	进气阀座密封垫A	GASKET A, INTAKE VALVE SEAT	1					
41	T20-06000036	进气阀座密封垫C	GASKET C, INTAKE VALVE SEAT	1					
42	T20-06000014	进气歧管	MANIFOLD, INTAKE	1					
43	T20-06000033	卡箍	CLIP	1					



零部件名称: 附件 I (修理件)

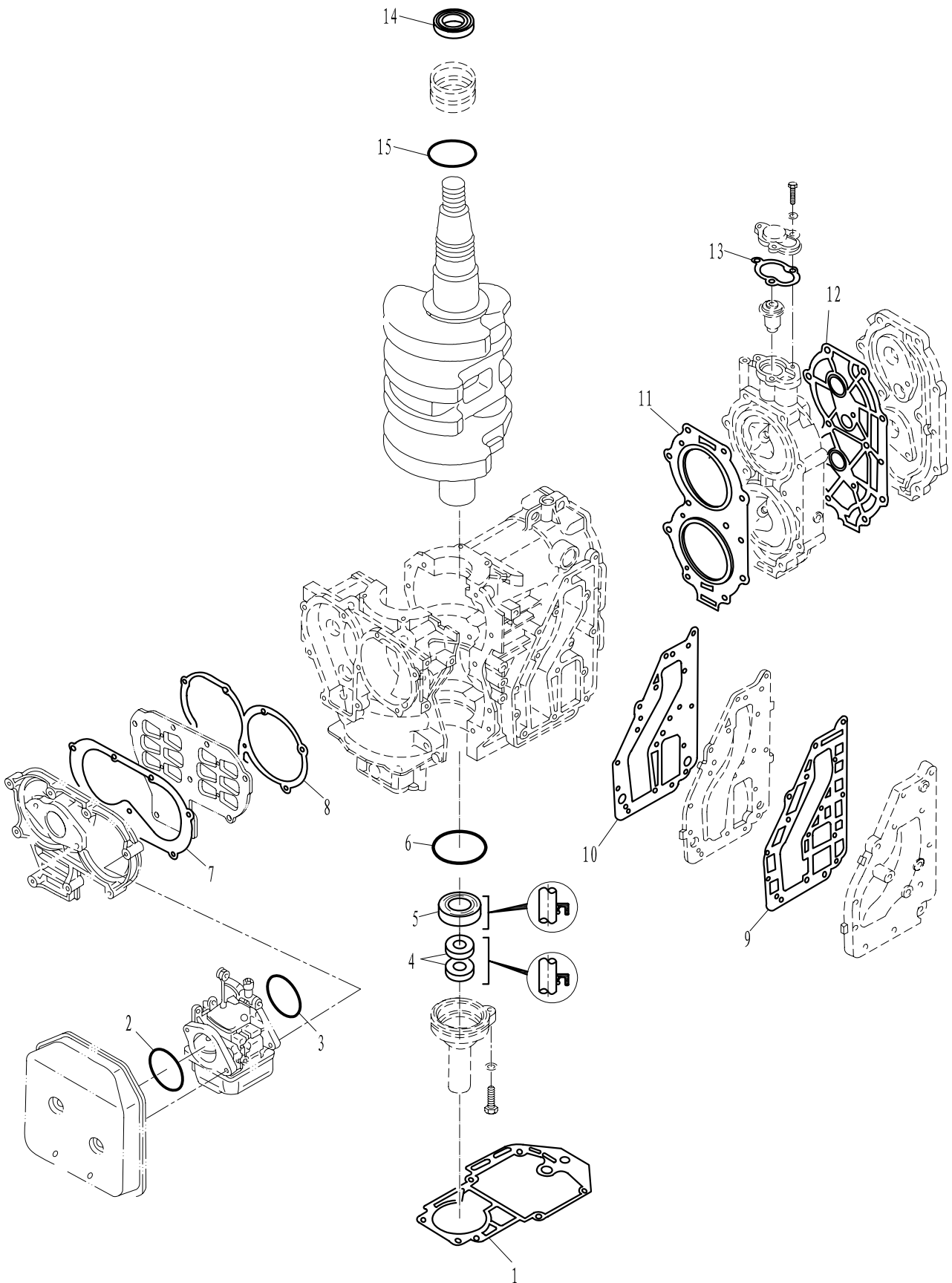
PARTS NAME: APPENDIX I (REPAIR KIT)





零部件名称: 附件 II (修理件)

PARTS NAME: APPENDIX II (REPAIR KIT)







零部件名称:

零件目录检索表

PARTS NAME:

PARTS CATALOGUE INDEX

零件代号 PART NO.	页码/序号 PAGE/NO.	零件代号 PART NO.	页码/序号 PAGE/NO.	零件代号 PART NO.	页码/序号 PAGE/NO.
BPR7HS	28-26	F15-11000001W	41-10	F15-13020400W	41-13
HR 30205 J	16-44	F15-11000002W	41-5	F25-00000011	17-5
HR32004XJ	15-24	F15-11020002W	13-25	F25-00000014	2-5
HT2.5*60	41-2	F15-11030002W	32-30	F25-01010003	2-12
PS365232	26-2	F15-11030003W	32-29	F25-01010004	2-17
F15-00000006	3-75	F15-11030100W	32-31	F25-01010010	8-17
	6-18	F15-11030200W	32-28	F25-01010011	2-19
	16-67	F15-11030301W	32-34	F25-02010002	28-10
	17-1	F15-12000013W	42-50	F25-03000003	24-21
	28-2	F15-12000016W	41-37	F25-04000001	15-33
F15-00000035	10-23	F15-13000001W	41-36	F25-040000016	15-3
F15-01010001	3-45	F15-13000002W	41-31	F25-04000002	15-26
F15-01010007	2-18	F15-13000003W	41-34	F25-04000003-1	15-25
F15-01010102	2-23	F15-13000004W	41-35	F25-04000003-2	
F15-01010302	2-11	F15-13000005W	41-8	F25-04000003-3	
F15-01010303	3-58	F15-13000006W	42-47	F25-04000003-4	
F15-01010305-3	2-31	F15-13000007W	41-28	F25-04000003-5	
F15-01010400	3-46	F15-13000008W	41-39	F25-04000003-6	
F15-01010402	3-47	F15-13000011W	42-48	F25-04000003-7	
F15-04000005	28-23	F15-13000012W	42-49	F25-04000003-8	
F15-05000022	8-22	F15-13000013W	41-17	F25-04000004-1	16-43
F15-05000023	8-20	F15-13000014W	41-11	F25-04000004-2	
F15-05000036	8-21	F15-13000015W	42-51	F25-04000004-3	
F15-05010001	32-23	F15-13000100W	41-4	F25-04000004-4	
F15-06000004	16-36	F15-13000200W	24-22	F25-04000004-5	
F15-06020004	15-16		41-3	F25-04000005	16-42
F15-06070004	16-47	F15-13000202W	41-15	F25-04000006	16-41
F15-06070005	16-48	F15-13000203W	41-14	F25-04000007	15-18
F15-06080002	28-8	F15-13000300W	42-44	F25-04000008	15-19
F15-07000005	21-2	F15-13000601W	41-41	F25-04000009	15-20
F15-07000006	21-1	F15-13000602W	42-45	F25-04000012	15-15
F15-07010008	28-40	F15-13000700W	41-40	F25-04000013	15-17
F15-07010009	28-39	F15-13000800W	41-33	F25-04000014	15-12
F15-07010011	28-38	F15-13010001W	42-56	F25-04000015	15-23
F15-07010012	28-41	F15-13010002W	42-57	F25-04000017L	15-2
F15-07060001	24-3	F15-13010003W	42-55	F25-04000017S	
F15-07080000	30-16	F15-13010004W	42-62	F25-04000021	16-38
F15-07080001	30-17	F15-13010005W	42-61	F25-04000022	16-40
F15-07080002	30-19	F15-13010008W	42-63	F25-04000023	15-31
F15-07130205	36-8	F15-13010009W	42-60	F25-04000024	17-6
F15-07150001W	24-4	F15-13010010W	42-52	F25-04000025	17-8
F15-07150300W	24-9	F15-13020000W	41-24	F25-04000027	17-10
F15-07150501W	24-8	F15-13020001W	41-16	F25-04000031	15-32
F15-09000000	39-1	F15-13020002W	41-20	F25-04010000L	15-22
F15-10000000	39-2	F15-13020003W	41-21	F25-04010000S	
F15-10000001	39-9	F15-13020004W	41-22	F25-04010003	15-21
F15-10000002	39-8	F15-13020005W	41-18	F25-04020000	16-45
F15-10000003	39-7	F15-13020006W	41-9	F25-04030001S	
F15-10010000	39-3	F15-13020007W	41-7	F25-04040000	15-11
F15-10020000	39-6	F15-13020100W	41-19	F25-04050000	15-10

零部件名称:

零件目录检索表

PARTS NAME:

PARTS CATALOGUE INDEX

零件代号 PART NO.	页码/序号 PAGE/NO.	零件代号 PART NO.	页码/序号 PAGE/NO.	零件代号 PART NO.	页码/序号 PAGE/NO.
F25-04050001	15-7	T15-04000010	28-29	T20-01020001	2-1
F25-04050002	15-8	T15-04040005	11-46	T20-01020002	2-6
F25-04050003	15-9	T20-00000001	3-66	T20-01030001	4-1
F25-04050004	15-6	T20-00000002	3-68	T20-01030100	4-8
F25-04060000	16-53	T20-00000003	3-54	T20-01030200	4-18
F25-04060001	16-51	T20-00000004	3-49	T20-01030300	4-9
F25-04060002	16-50	T20-00000005	3-51	T20-02000001L	6-11
F25-04060003	16-46	T20-00000006	3-50	T20-02000001S	
F25-04060006	16-49	T20-00000007	3-70	T20-02000002	6-5
F25-04060007	16-52	T20-00000008	3-76	T20-02000003	6-10
F25-04070000	16-63	T20-00000009	28-15	T20-02000004	6-8
F25-04070001	16-58	T20-00000010	32-20	T20-02000005	6-9
F25-04070002	16-56	T20-00000011	3-56	T20-02000006	6-7
F25-04070003	16-61	T20-00000100	3-67	T20-02000007	6-3
F25-04070004	16-54	T20-00000200	32-15	T20-02000008L	6-12
F25-04070005-1	16-55	T20-00000203	32-16	T20-02000008S	
F25-04070005-2		T20-00000205	32-21	T20-02000009	6-13
F25-04070005-3		T20-01000001	2-4	T20-02000010	6-14
F25-04070005-4		T20-01000002	2-7	T20-02000011L	17-3
F25-04070006	16-60	T20-01000003	2-9	T20-02000011S	
F25-05090100W	24-5	T20-01000004	2-40	T20-02000012	17-2
F25-05160500	36-7	T20-01000005	2-41	T20-03000001	3-72
F25-05170201W	24-15	T20-01000006	2-42	T20-03000002	10-16
F25-07000006W	13-17	T20-01000007	4-13	T20-03000003	10-17
F25-07000007W	41-30	T20-01000008	4-14	T20-03000004	3-73
F25-07000303W	13-23	T20-01000009	4-15	T20-03000005	10-1
F25-07000304W	13-22	T20-01000010	4-17	T20-03000006	10-5
F4-01010003	2-24	T20-01000011	4-16	T20-03000007	10-8
F4-01010004	2-21	T20-01000100	3-71	T20-03000008	10-6
F4-01010005	2-22	T20-01000200	2-8	T20-03000009	10-7
F4-01090003	4-7	T20-01010001	2-38	T20-03000010	10-12
F4-01090006	4-2	T20-01010002	2-39	T20-03000011	10-11
F4-01090007	4-3	T20-01010003	2-37	T20-03000012	10-22
F4-01090401	8-7	T20-01010004	2-43	T20-03000013	3-74
	41-12	T20-01010100	3-44	T20-03000015	10-4
F4-03000023	15-28	T20-01010200	2-20	T20-03000100	10-15
F4-03000024	15-29	T20-01010202	2-13	T20-03000200	10-19
F4-04000030	30-1	T20-01010203	2-15	T20-03000204	10-20
F4-04090005	30-29	T20-01010301	2-10	T20-03000300	10-9
F4-04090011	30-28	T20-01010302	2-32	T20-04000001	8-1
F4-04120003	19-10	T20-01010303	2-30	T20-04000001BW	
F4-04130102	36-9	T20-01010304	2-29	T20-04000002	8-3
F4-05000200	8-9	T20-01010305	2-28	T20-04000003	8-2
F4-06000004	38-12	T20-01010306	3-61	T20-04000004	8-23
F4-06000006	38-10	T20-01010307	3-63	T20-04000005	8-16
F8-03000003	24-24	T20-01010308	3-60	T20-04000006	8-19
T15-01020003	8-8	T20-01010309	2-33	T20-04000007	32-22
T15-01020300	4-5	T20-01010310	2-34	T20-04000008	8-15
T15-03000005	8-11	T20-01010311	2-36	T20-04000009	8-14
T15-03010002	32-24	T20-01010312	3-57	T20-04000010W	11-44

零部件名称:

零件目录检索表

PARTS NAME:

PARTS CATALOGUE INDEX

零件代号 PART NO.	页码/序号 PAGE/NO.	零件代号 PART NO.	页码/序号 PAGE/NO.	零件代号 PART NO.	页码/序号 PAGE/NO.
T20-04000011W	24-6	T20-06000024	36-31	T20-06000722	34-29
T20-04000012W	24-18	T20-06000024W	36-40	T20-06000723	34-27
T20-04000013W	24-19	T20-06000025	36-36	T20-06000724	34-30
T20-04000014	8-4	T20-06000026	36-37	T20-06000725	34-31
T20-04000014W	24-20	T20-06000027	36-35	T20-06000726	34-32
T20-04000100W	11-48	T20-06000028	28-25	T20-06000727	34-34
T20-04000201W	13-15	T20-06000030	36-27	T20-06000728	34-35
T20-04000202W	11-43	T20-06000031	21-5	T20-06000729	34-38
T20-04000300W	11-45	T20-06000032	28-35	T20-06000730	34-40
T20-04000301W	11-47	T20-06000033	32-10	T20-06000731	34-41
T20-04000400W	13-16	T20-06000034W	24-12	T20-06000800	28-14
T20-04000500W	13-9	T20-06000035W	24-13	T20-06000801	28-11
T20-04000700W	13-10	T20-06000036	32-8	T20-06000803	28-9
T20-04000701W	13-11	T20-06000036W	24-14	T20-06000900W	22-8
T20-04000702W	13-12	T20-06000037W	36-41	T20-06001100W	24-16
T20-04000703W	13-13	T20-06000038W	24-23	T20-06001200W	32-25
T20-04000800W	13-1	T20-06000100A	32-6	T20-06001201W	32-32
T20-04000801W	13-2	T20-06000101A	32-5	T20-06001203W	32-35
T20-04000802W	13-4	T20-06000102A	32-4	T20-06010000	28-7
T20-04000803W	13-6	T20-06000103A	32-3	T20-06010001	28-3
T20-04000900W	13-20	T20-06000300	30-10	T20-06010002	28-4
T20-04000901W	13-24	T20-06000302	30-13	T20-06010003	28-5
T20-04000902W	13-21	T20-06000303	30-9	T20-06010100	28-1
T20-05000000L	16-66	T20-06000400	30-8	T20-06020001	26-23
T20-05000000S		T20-06000500	36-30	T20-06020002	26-20
T20-05000100	17-7	T20-06000501	36-29	T20-06020003	26-19
T20-05010000L	15-27	T20-06000502	36-28	T20-06020004	26-21
T20-06000001	28-33	T20-06000600	21-6	T20-06020005	26-16
T20-06000002	28-32	T20-06000600W	22-1	T20-06020007	26-17
T20-06000003	28-31	T20-06000700	34-42	T20-06020100	26-22
T20-06000004	28-30	T20-06000701	34-39	T20-06020101	26-4
T20-06000005	28-28	T20-06000702	34-3	T20-06020102	26-15
T20-06000006	28-27	T20-06000703	34-4	T20-06020103	26-5
T20-06000007	28-22	T20-06000704	34-5	T20-06020104	26-7
T20-06000008	28-21	T20-06000705	34-6	T20-06020105	26-6
T20-06000009	28-17	T20-06000706	34-7	T20-06020106	26-8
T20-06000010	28-20	T20-06000707	34-8	T20-06020107	26-11
T20-06000011	28-24	T20-06000708	34-11	T20-06020108	26-10
T20-06000012	32-7	T20-06000710	34-12	T20-06020109	26-12
T20-06000014	32-9	T20-06000711	34-13	T20-06020110	26-13
T20-06000015	36-25	T20-06000712	34-17	T20-06020111	26-1
T20-06000015W	22-4	T20-06000713	34-16	T20-06020112	26-9
T20-06000016	36-23	T20-06000714	34-18	T20-06020113	26-14
T20-06000017	30-21	T20-06000715	34-21	T20-06020114	26-24
T20-06000018	30-3	T20-06000716	34-22	T20-06020115	26-3
T20-06000019	30-7	T20-06000717	34-23	T20-06030001	19-7
T20-06000020	30-2	T20-06000718	34-24	T20-06030002	19-4
T20-06000021	10-34	T20-06000719	34-25	T20-06030003	19-5
T20-06000022	21-19	T20-06000720	34-15	T20-06030004	19-11
T20-06000023	10-33	T20-06000721	34-26	T20-06030100	19-1

零部件名称:

零件目录检索表

PARTS NAME:

PARTS CATALOGUE INDEX

零件代号 PART NO.	页码/序号 PAGE/NO.	零件代号 PART NO.	页码/序号 PAGE/NO.	零件代号 PART NO.	页码/序号 PAGE/NO.
T20-06040001	21-17	T40-05070005	10-36		
T20-06040002	21-11	T40-05080000	30-4		
T20-06040003	21-12	T40-05080001	30-34		
T20-06040004	21-18	T40-05080002	30-32		
T20-06040005	21-10	T40-05080003	30-33		
T20-06040006	21-15	T40-05080004	30-31		
T20-06040007	10-29	T40-05080005	30-27		
T20-06040008	19-14	T40-05080006	30-26		
T20-06040009	19-13	T40-05080007	30-25		
T20-06040010	19-6	T40-08000001	38-14		
T20-06040100	21-7	T40-08000002	38-3		
T20-06040200	21-23	T40-08000003	38-16		
T20-06050001	10-41				
T20-06050001W					
T20-06050002	10-37				
T20-06050003	10-39				
T20-06050100	10-38				
T20-06050200	10-40				
T20-06050300	10-25				
T20-06050301	10-28				
T20-06050302	10-26				
T20-06060000	36-22				
T20-06060001	36-1				
T20-06060002	36-5				
T20-06060003	36-11				
T20-06060004	36-12				
T20-06060005	36-14				
T20-06060006	36-13				
T20-06060007	36-16				
T20-06060008	36-15				
T20-06060009	36-19				
T20-06060010	36-18				
T20-06060011	36-17				
T20-06060012	36-6				
T20-07000000	38-1				
T20-07000001	38-2				
T20-07000002	38-8				
T20-07000003	38-11				
T20-07000004	38-6				
T20-07000005	38-9				
T20-07150301W	24-11				
T20-13000000W	41-1				
T20-13000500W	41-27				
T40-05000018	21-22				
T40-05000024	30-15				
T40-05000029	19-9				
T40-05000100	24-7				
T40-05000703W	32-33				
T40-05000802W	32-36				
T40-05020006	26-18				