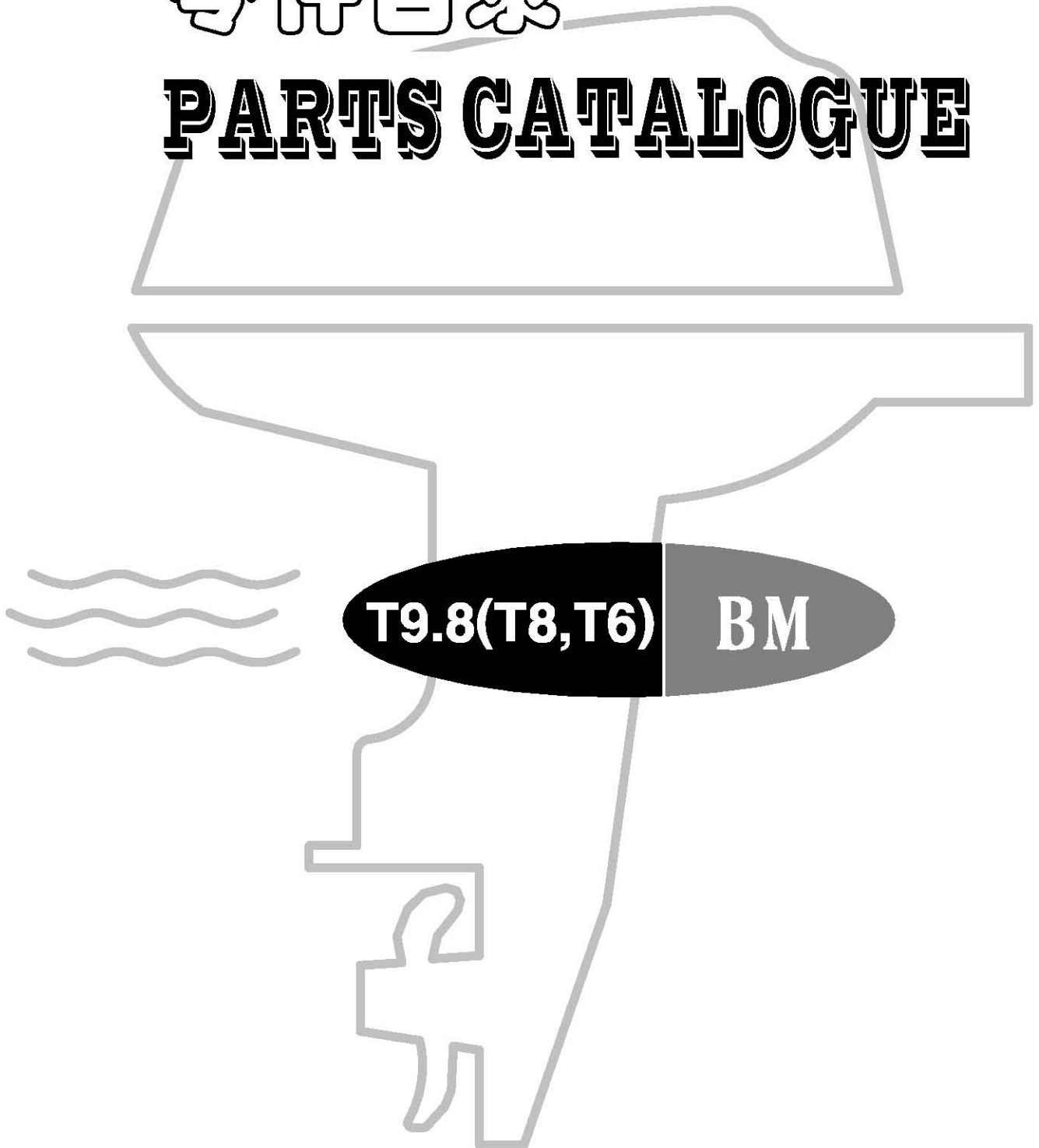


零件目录

**PARTS CATALOGUE**



苏州百胜动力机器有限公司

SUZHOU PARSUN POWER MACHINE CO., LTD

# 目次

## CONTENTS

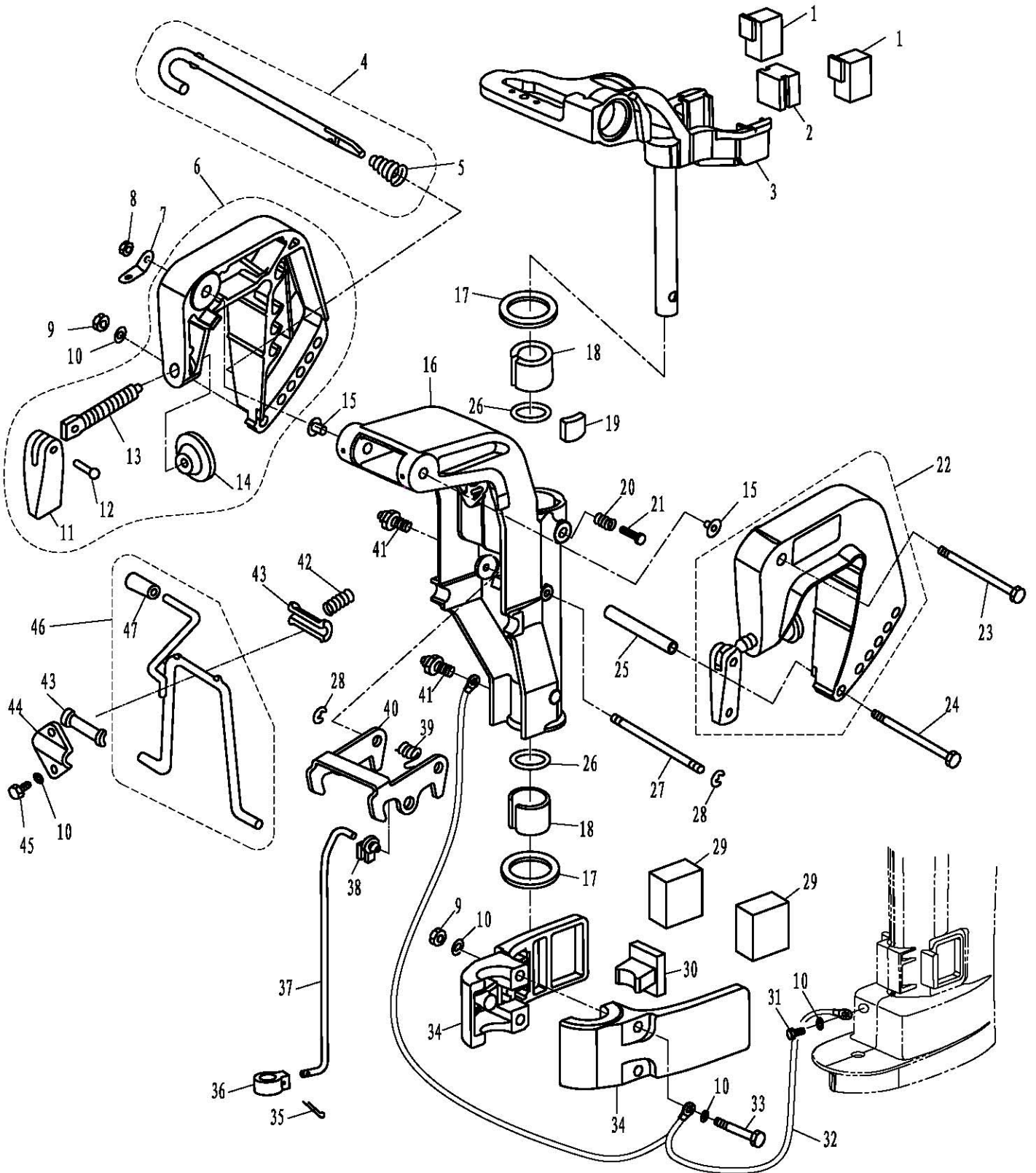
托架 — — — — —	1 ~ 2
BRACKET — — — — —	1 ~ 2
操舵系统 — — — — —	3 ~ 4
STBERING — — — — —	3 ~ 4
水上装置壳体 — — — — —	5 ~ 6
UPPER CASING — — — — —	5 ~ 6
底罩 — — — — —	7 ~ 8
BOTTOM COWLING — — — — —	7 ~ 8
控制系统 — — — — —	9
CONTROL SYSTEM — — — — —	9
水下装置壳体&驱动系统 — — — — —	10 ~ 12
LOWER CASING & DRIVE — — — — —	10 ~ 12
电气系统 — — — — —	13 ~ 14
ELECTRICAL SYSTEM — — — — —	13 ~ 14
进气系统 — — — — —	15
INTAKE SYSTEM — — — — —	15
曲轴&活塞 — — — — —	16 ~ 17
CRANKSHAFT & PISTON — — — — —	16 ~ 17
曲轴箱 — — — — —	18 ~ 19
CRANKCASE — — — — —	18 ~ 19
燃油系统 — — — — —	20 ~ 21
FUEL SYSTEM — — — — —	20 ~ 21
起动机 — — — — —	22 ~ 23
STARTER — — — — —	22 ~ 23
顶罩组件 — — — — —	24 ~ 25
TOP COWLING ASSY— — — — —	24 ~ 25
燃油箱 — — — — —	26
FUEL TANK— — — — —	26
发动机头总成(修理件) — — — — —	I ~ III
CYLINDER HEAD ASSY (REPARE KIT) — — — — —	I ~ III
附录1(修理件) — — — — —	IV ~ V
APPENDIX 1 (REPATE KIT) — — — — —	IV ~ V
附录2(修理件) — — — — —	VI ~ VII
APPENDIX 2 (REPARE KIT) — — — — —	VI ~ VII

零部件名称:

托架

PARTS NAME:

BRACKET



SN. 参照号码	PART NO. 零件编号	DESCRIPTION 零件名称(中文)	DESCRIPTION 零件名称(英文)	QTY 数量				REMARKS 备注
1	T8-0000004	减震块B	ABSORBER B	2				
2	T8-0000005	前减震块B	ABSORBER B (FRONT)	1				
3	T8-0102000	操舵托架组件	STEER BRACKET ASSY	1				
4	F8-01010200	角度调整杆组件	THRUST ROD ASSY	1				
5	F4-01050002	锥形弹簧	CONICAL SPRING	1				

零部件名称:

托架

PARTS NAME:

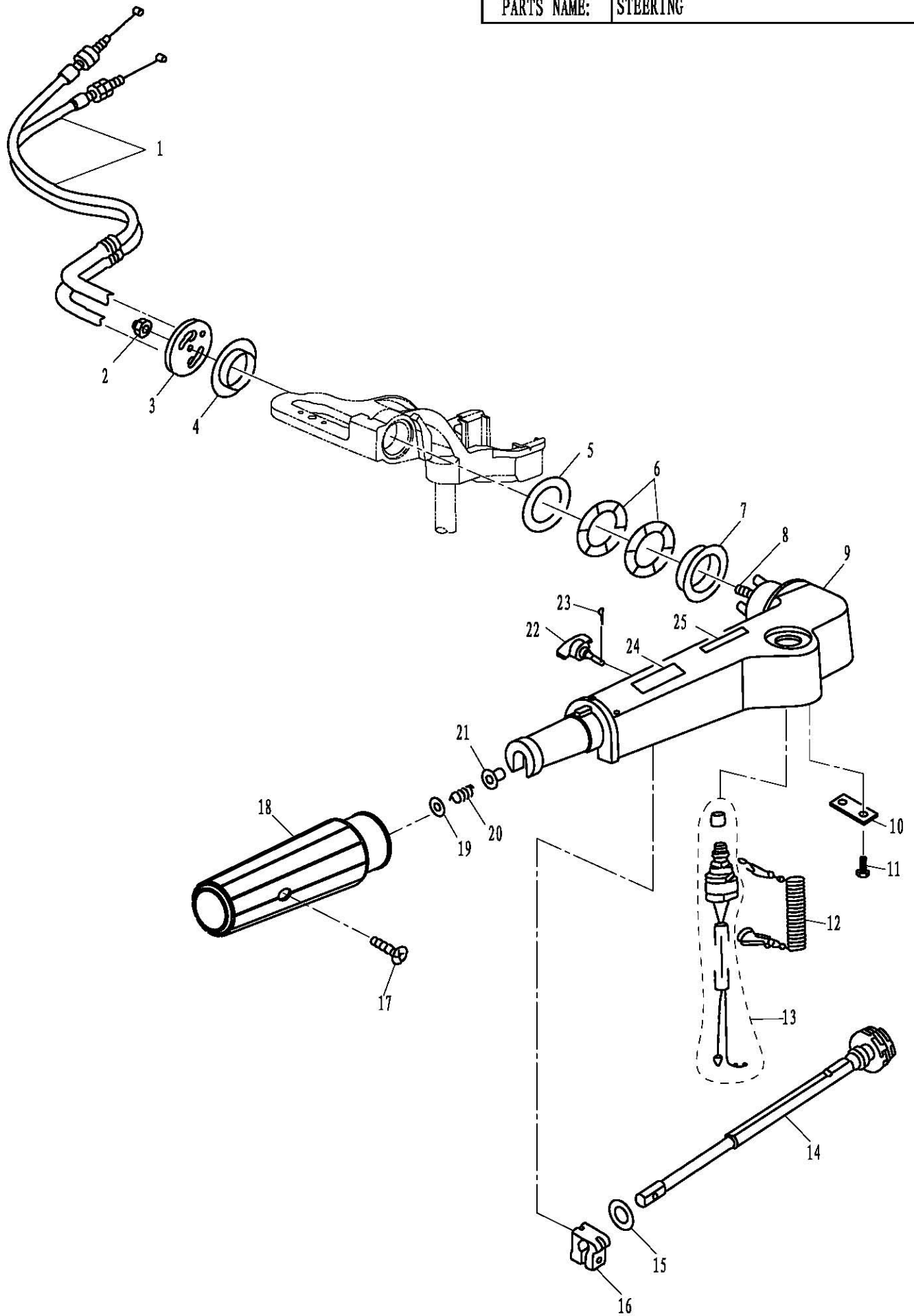
BRACKET

SN. 参照号码	PART NO. 零件编号	DESCRIPTION 零件名称(中文)	DESCRIPTION 零件名称(英文)	QTY 数量					REMARKS 备注
6	F4-01020000	夹紧托架(左)组件	BRACKET ASSY (LEFT)	1					
7	F4-01000002	双孔固定板	PLATE, TWO HOLE	1					
8	GB/T889.1-M8	非金属嵌件六角螺母 M8	NUT M8	1					
9	GB/T6170-M6	六角螺母 M6	NUT M6	3					
10	GB/T97.1-6	平垫圈 6	WASHER 6	8					
11	F4-01010004	舰板夹紧手柄	CLAMP HANDLE, STERN	2					
12	F4-01010005	舰板夹紧手柄铆钉	RIVET, CLAMP HANDLE	2					
13	F4-01010002	舰板夹紧螺杆	CLAMP SCREW	2					
14	F4-01010003	舰板夹紧圆盘	CLAMP PAD	2					
15	F4-01000003	尼龙垫圈	WASHER, NYLON	2					
16	T8-01010101	旋转支架	ROTARY BRACKET	1					
17	T8-01000002	旋转支架垫圈	WASHER, ROTARY BRACKET	2					
18	T8-01000003	旋转支架衬套	BUSHING, ROTARY BRACKET	2					
19	F8-01000100	锁紧块组件	LOCKING BLOCK ASSY	1					
20	F8-01010102	锁紧弹簧	SPRING, LOCKING	1					
21	GB/T5783-M8X30	六角螺栓 M8X30	BOLT M8X30	1					
22	F4-01010000	夹紧托架(右)组件	BRACKET ASSY (RIGHT)	1					
23	GB/T5782-M8X140	六角螺栓 M8X140	BOLT M8X140	1					
24	GB/T5782-M6X130	六角螺栓 M6X130	BOLT M6X130	1					
25	F8-01010001	螺栓垫管	TUBE, BOLT	1					
26	T8-01000001	O型圈 $\phi 19.8 \times \phi 4.2$	O-RING $\phi 19.8 \times \phi 4.2$	2					
27	F8-01010108	旋转支架销轴	SHAFT, ROTARY BRACKET	1					
28	GB/T896-5	开口挡圈 5	CIRCLIP 5	2					
29	T8-00000002	减震块A	ABSORBER A	2					
30	T8-00000003	前减震块A	ABSORBER A (FRONT)	1					
31	GB/T5783-M6x8	六角螺栓 M6x8	BOLT M6x8	1					
32	T15-02010100	接地钢索 B	TIGHTWIRE B	1					
33	GB/T5782-M6x65	六角螺栓 M6x65	BOLT M6x65	2					
34	T8-00000001	减震块外壳	SHELL, ABSORBER	2					
35	GB/T91-2x15	开口销2x15	PIN, COTTER 2x15	1					
36	T8-03000011	锁紧钩连杆支架	BRACKET, CONNECTING ROD	1					
37	T8-03000012	锁紧钩连杆	CONNECTING ROD, LOCKHOOK	1					
38	F8-01010111	内架连杆接头	TIE-IN, CONNCTING ROD	1					
39	F8-01010109	内架扭簧	SPRING, WREST	1					
40	T8-01010106	旋转支架内架	INNER FRAME, ROTARY BRACKET	1					
41	JB/T7940.1-M6	直通式压注油杯 M6	OILER M6	2					
42	F8-01010104	支撑架弹簧	SPRING, SUPPORT	1					
43	F8-01010103	支撑架尼龙衬套	BUSHING	2					
44	F8-01010105	支撑架压板	PRESS PLATE	1					
45	GB/T5783-M6X12	六角螺栓 M6X12	BOLT M6X12	2					
46	F8-01010300	角度定位支撑架组件	SUPPORT ASSY	1					
47	F4-01030103	手柄套	HANDLE COVER	1					



零部件名称: 操舵系统

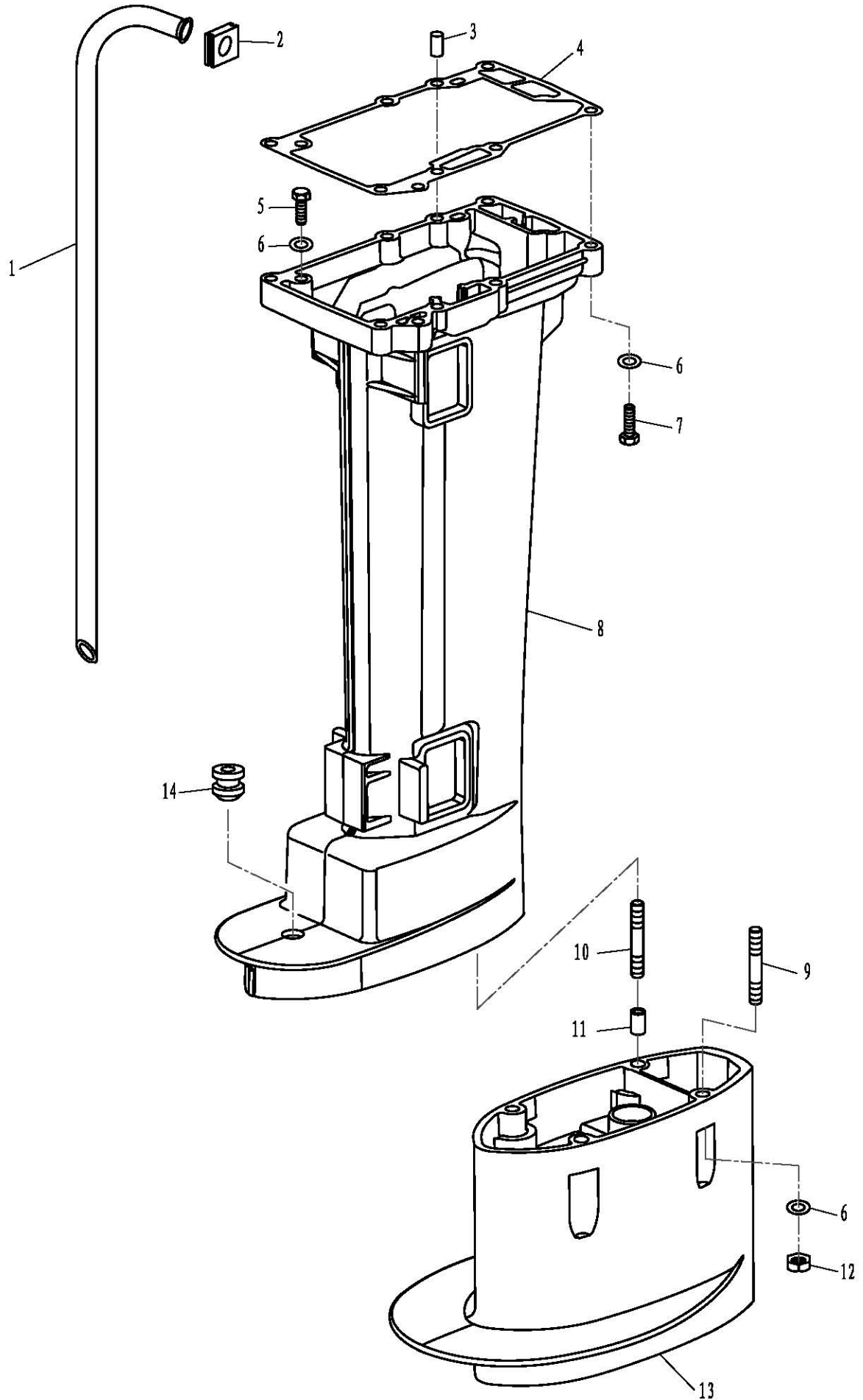
PARTS NAME: STEERING





零部件名称: 水上装置壳体

PARTS NAME: UPPER CASING



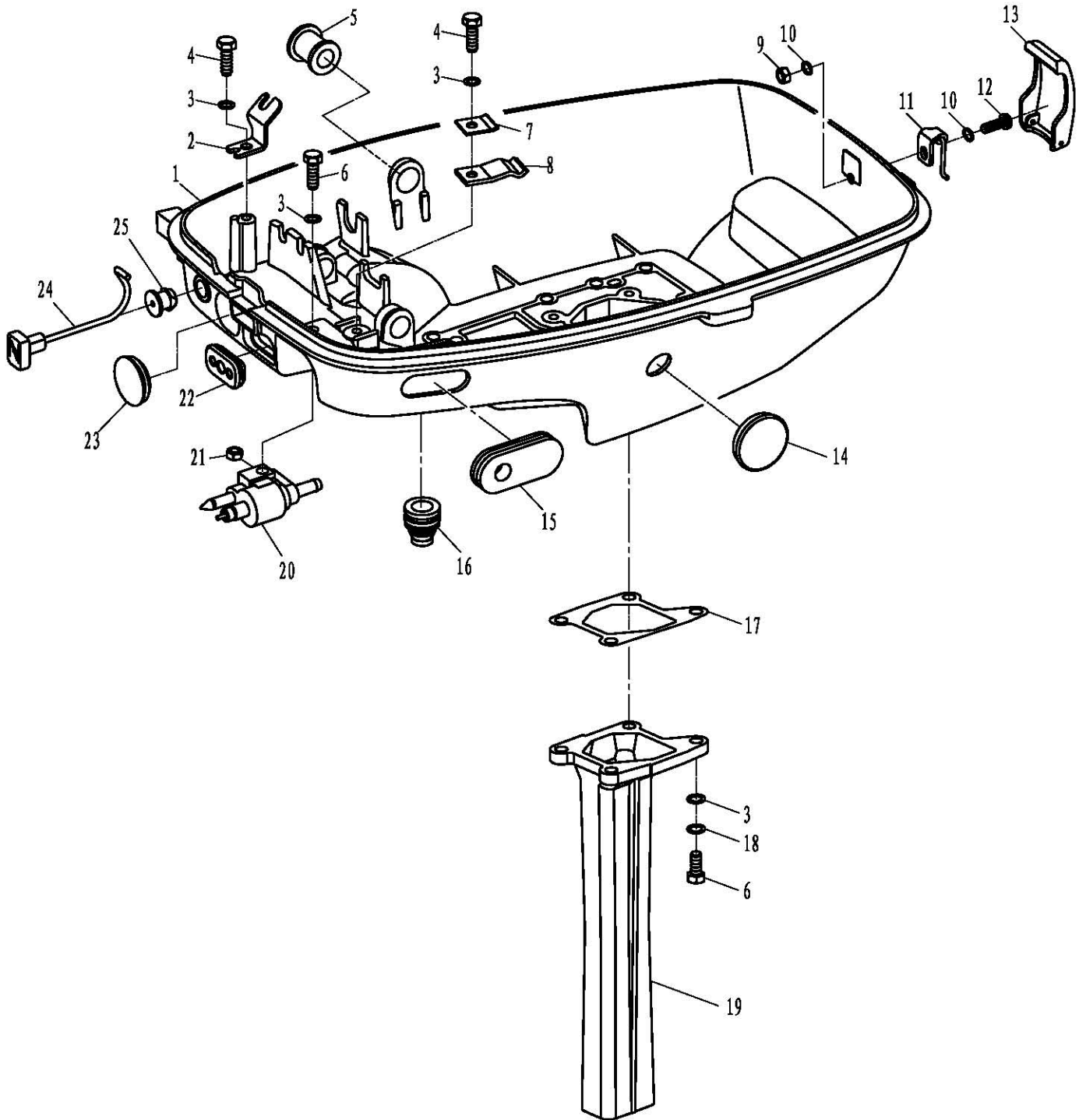


零部件名称:

底罩

PARTS NAME:

BOTTOM COWLING

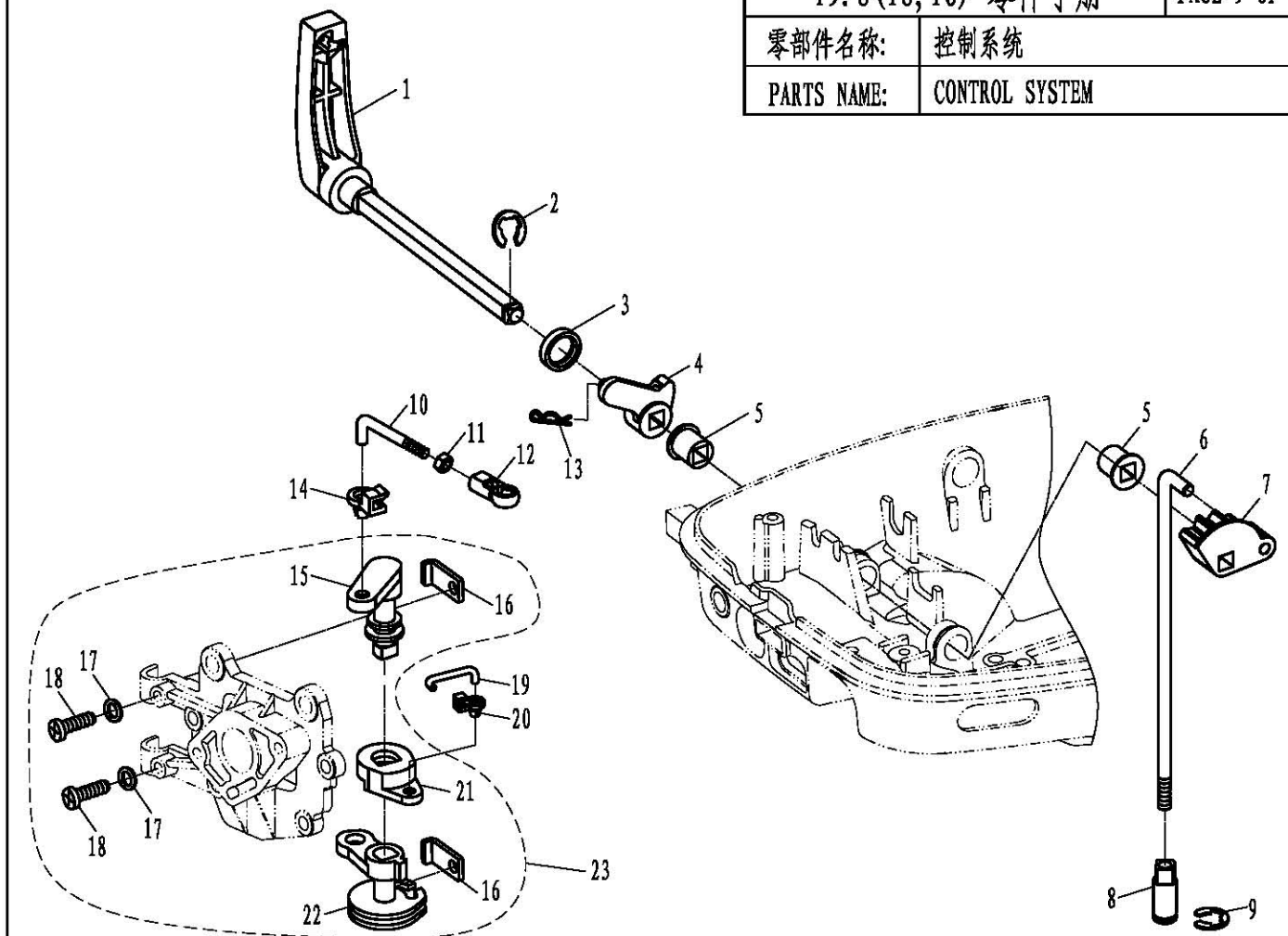






零部件名称: 控制系统

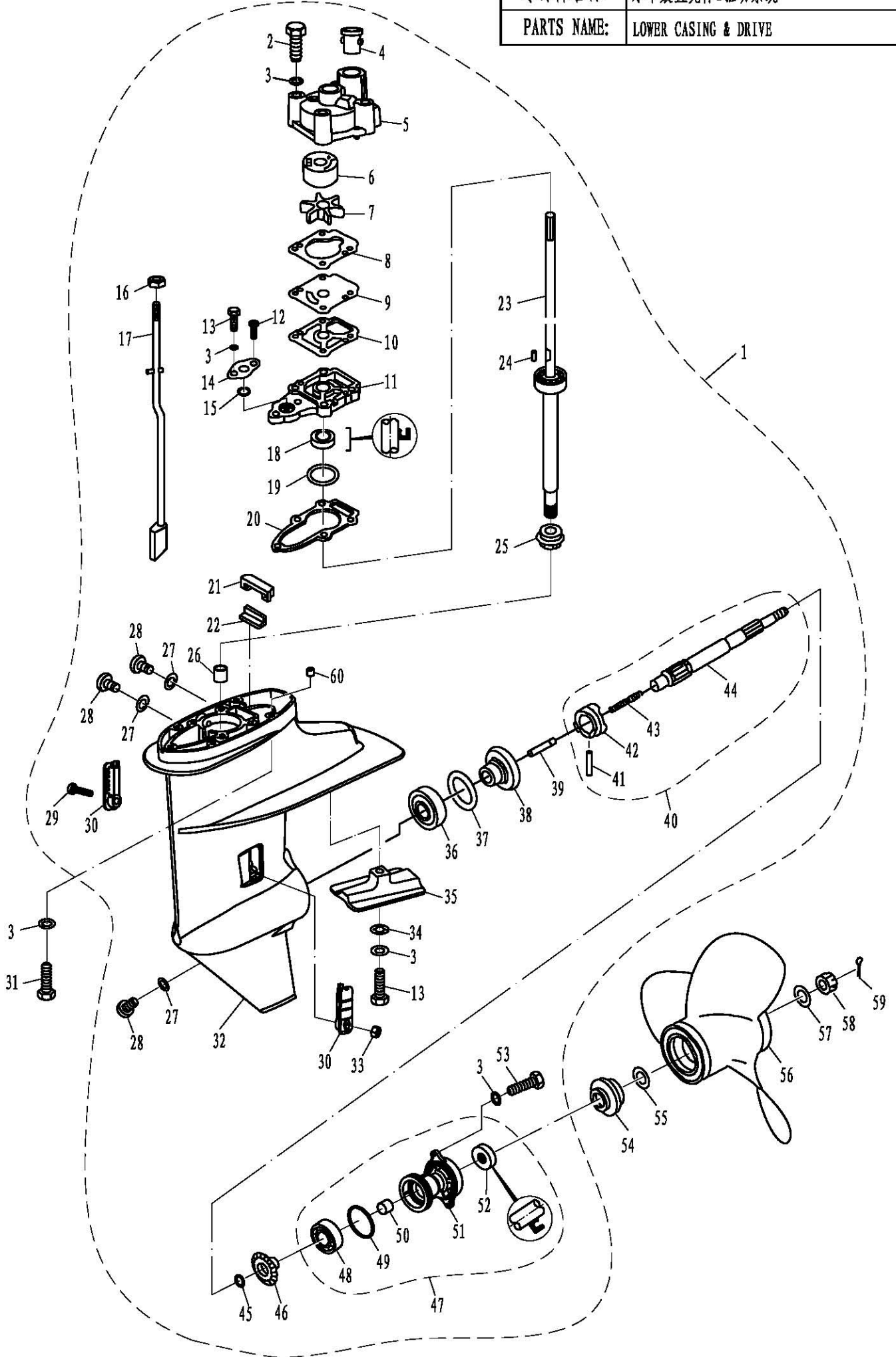
PARTS NAME: CONTROL SYSTEM



SN. 参照号码	PART NO. 零件编号	DESCRIPTION 零件名称(中文)	DESCRIPTION 零件名称(英文)	QTY 数量				REMARKS 备注
1	T8-03010100	变档手柄组件	HANDLE, GEAR SHIFT	1				
2	GB/T896-7	开口挡圈 7	CIRCLIP 7	1				
3	T8-03010001	变档手柄橡胶圈	RUBBER LOOP, HANDLE	1				
4	T8-03010003	制动器摆杆	ROCKER, DETENT	1				
5	T8-03010002	变档手柄衬圈	BUSH, HANDLE	2				
6	T8-03000008	变档连接杆	SHIFT ROD	1				
7	T8-03010006	变档档位块	BLOCK, GEAR SHIFT	1				
8	T8-03000010	变档连接件	JOINING, GEAR SHIFT	1				
9	GB/T896-9	开口挡圈 9	CIRCLIP 9	1				
10	T8-05000010	磁电机线圈连杆	CONNECTING ROD, MAGNETO COIL	1				
11	GB/T6170-M5	六角螺母 M5	NUT 5	1				
12	T15-04040005	触发线圈接头	TIE-IN, COIL	1				
13	F25-05160002	夹簧 $\phi 1$	SPRING $\phi 1$	1				
14	F8-01010111	内架连杆接头	TIE-IN, CONNECTING ROD	1				
15	T8-05000605	磁电机线圈摇臂	ROCKER, MAGNETO COIL	1				
16	T8-05000606	油门控制器固定板	PLATE, ACCELEROGRAPH ENFORCE	2				
17	GB/T93-5	弹性垫圈 5	SPRING WASHER 5	2				
18	GB/T818-M5x20	十字槽盘头螺钉 M5x20	BOLT M5x20	2				
19	T8-05000604	油门控制器连杆	LINK, ACCELEROGRAPH CONTROL	1				
20	T8-05000022	油门控制器连杆接头	TIE-IN, LINK	1				
21	T8-05000603	油门执行器摇臂	ROCKER, ACCELEROGRAPH ENFORCE	1				
22	F8-05000602	油门执行器主动滑轮	MAIN PULLEY	1				
23	T8-05000600	进气歧管组件	INTAKE MAINFOLD ASSY	1				

零部件名称: 水下装置壳体&驱动系统

PARTS NAME: LOWER CASING & DRIVE



零部件名称: 水下装置壳体&amp;驱动系统

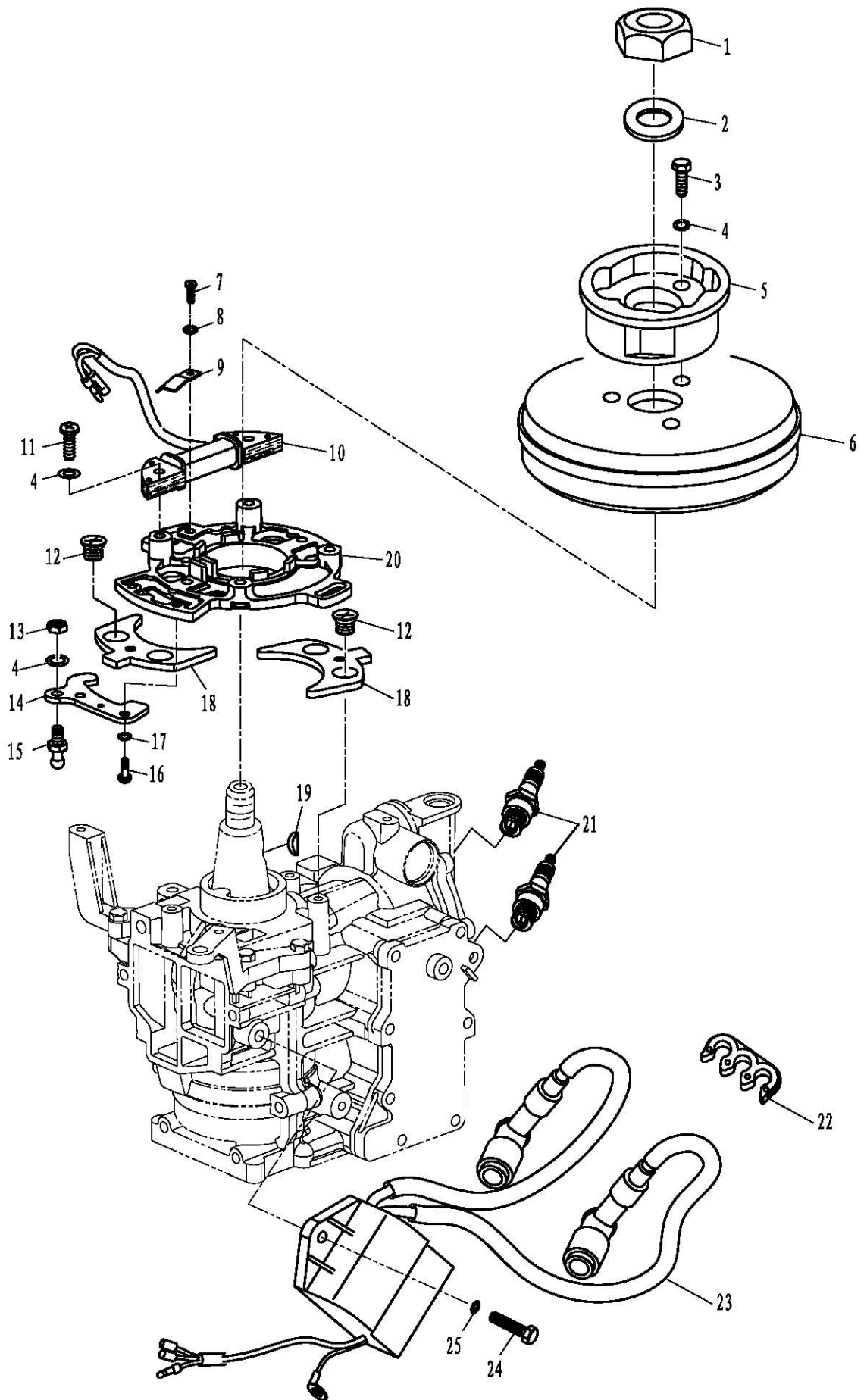
PARTS NAME: LOWER CASING &amp; DRIVE

SN. 参照号码	PART NO. 零件编号	DESCRIPTION 零件名称(中文)	DESCRIPTION 零件名称(英文)	QTY 数量				REMARKS 备注
1	T8-04000000	水下装置壳体总成(L)	LOWER CASING ASSY(L)	1				L
	T8-04000000	水下装置壳体总成(S)	LOWER CASING ASSY(S)	1				S
2	GB/T5783-M6X50	六角螺栓 M6X50	BOLT, HEXAGON M6X50	4				
3	GB/T97.1-6	平垫圈6	WASHER 6	11				
4	F8-04000013	水管导向套	SEAL	1				
5	F8-04000009	水泵壳体	WATER PUMP	1				
6	F8-04000010	水泵内壳	INNER SHELL, WATER PUMP	1				
7	F8-04000200	水泵叶轮	IMPELLER	1				
8	F8-04000008	外挡板上密封垫	GASKET, OUTER PLATE	1				
9	F8-04000007	外挡板	OUTER PLATE	1				
10	F8-04000006	外挡板下密封垫	GASKET, OUTER PLATE	1				
11	F8-04000102	水泵座	WATER PPUMP SEAT	1				
12	GB/T818-M5x6	十字槽盘头螺钉 M5x6	SCREW M5x6	1				
13	GB/T5783-M6x25	六角螺栓 M6x25	BOLT M6x25	2				
14	F8-04000011	O形圈挡板	PLATE, O-RING	1				
15	F2.6-03000009	O形密封圈	O-RING	1				
16	GB/T6172.1-M5	六角薄螺母 M5	NUT M5	1				
17	T8-04010000(L)	变档凸轮轴组件(L)	CAM ASSY, SHIFT ROD(L)	1				L
	T8-04010000(S)	变档凸轮轴组件(S)	CAM ASSY, SHIFT ROD(S)	1				S
18	F8-04000101	水泵座油封 12.1x24x8	OIL SEAL	1				
19	F8-04000004-1	驱动轴填隙片 0.10mm	SHIM 0.10mm					
	F8-04000004-2	驱动轴填隙片 0.15mm	SHIM 0.15mm					
	F8-04000004-3	驱动轴填隙片 0.20mm	SHIM 0.20mm					
20	F8-04000005	水泵座密封垫	GASKET, WATER PUMP SEAT	1				
21	F8-04000016	水封密封垫	GASKET, WATER SEAL	1				
22	F8-04000015	水封	WATER SEAL	1				
23	F8-04020001(L)	驱动轴组件(L)	DRIVE SHAFT ASSY(L)	1				L
	F8-04020001(S)	驱动轴组件(S)	DRIVE SHAFT ASSY(S)	1				S
24	F8-04000021	叶轮定位销	PIN, DOWER	1				
25	F8-04000003	小齿轮	PINION	1				
26	NSK FJ-1516	滚针轴承	BEARING	1				
27	F4-03000024	注油孔螺栓密封垫	GASKET	3				
28	F4-03000023	注油孔螺栓	PLUG, OIL HOSE	3				
29	GB/T823-M4x25	十字槽小盘头螺钉 M4x25	SCREW M4x25	1				
30	F8-04000017	进水口	WATER INLET	2				
31	GB/T5783-M6x35	六角螺栓 M6x35	BOLT, HEXAGON M6x35	4				
32	F8-04000001	水下装置壳体	LOWER CASING	1				
33	GB/T889.1-M4	六角锁紧螺母 M4	NUT M4	1				
34	GB/T861.1-6	内齿锁紧垫圈6	LOCK WASHER 6	1				
35	F8-04000018	水下阳极	ANODE	1				
36	GB/T276-6204	深沟球轴承 6204	BEARING 6204	1				
37	F8-04000012-1	正档齿轮填隙片 0.10mm	SHIM 0.10mm					
	F8-04000012-2	正档齿轮填隙片 0.15mm	SHIM 0.15mm					



零部件名称: 电气系统

PARTS NAME: ELECTRICAL SYSTEM

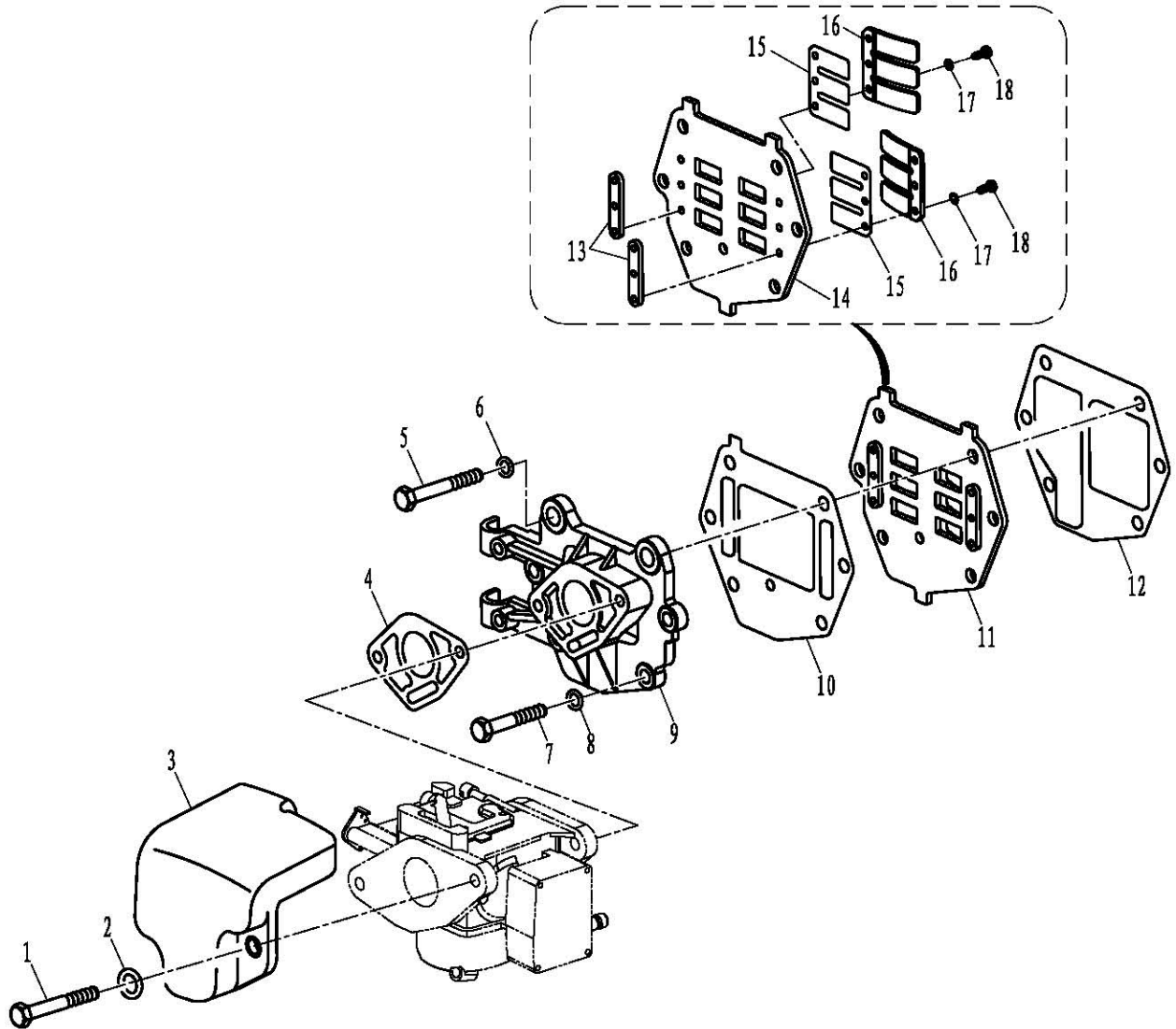






零部件名称: 进气系统

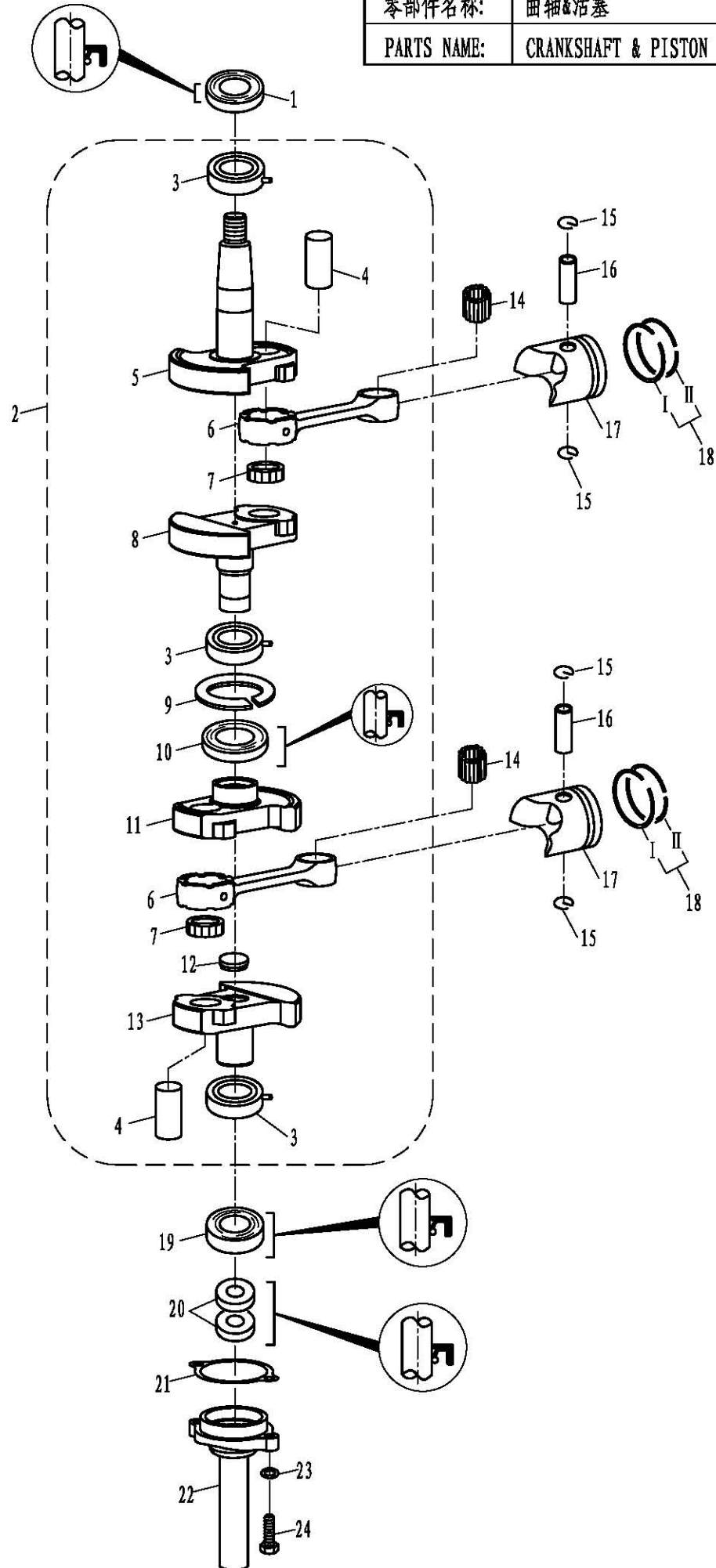
PARTS NAME: INTAKE SYSTEM



SN. 参照号码	PART NO. 零件编号	DESCRIPTION 零件名称(中文)	DESCRIPTION 零件名称(英文)	QTY 数量				REMARKS 备注
1	GB/T5783-M6x85	六角螺栓 M6x85	BOLT M6x85	2				
2	GB/T96-6	大垫圈 6	BIG WASHER 6	2				
3	T8-05000900	进气消音器	SILENCER	1				
4	T8-05000012	化油器密封垫	GASKET, CARBURETOR	1				
5	F25-05000035	六角螺栓 M8x80	BOLT M8x80	2				
6	GB/T97.1-8	平垫圈 8	WASHER 8	2				
7	T8-05000020	六角螺栓 M6x75	BOLT M6x75	4				
8	GB/T97.1-6	平垫圈 6	WASHER 6	4				
9	T8-05000601	进气歧管	MANIFOLD, INTAKE	1				
10	T8-05000009	进气阀座密封垫A	GASKET A, INTAKE VALVE SEATING	1				
11	T8-05000500	进气阀座组件	VALVE SEATING ASSY, INTAKE	1				
12	T8-05000014	进气阀座密封垫B	GASKET B, INTAKE VALVE SEATING	1				
13	T8-05000504	阀片固定板	FIXED PLATE, VALVE	2				
14	T8-05000501	进气阀座	VALVE SEATING, INTAKE	1				
15	T8-05000502	进气阀片	VALVE, INTAKE	2				
16	T8-05000503	阀片限位板	LIMITATIVE PLATE, VALVE	2				
17	GB/T93-3	弹性垫圈 3	SPRING-WASHER 3	6				
18	GB/T818-M3x8	十字槽盘头螺钉 M3x8	BOLT M3x8	6				

零部件名称: 曲轴&活塞

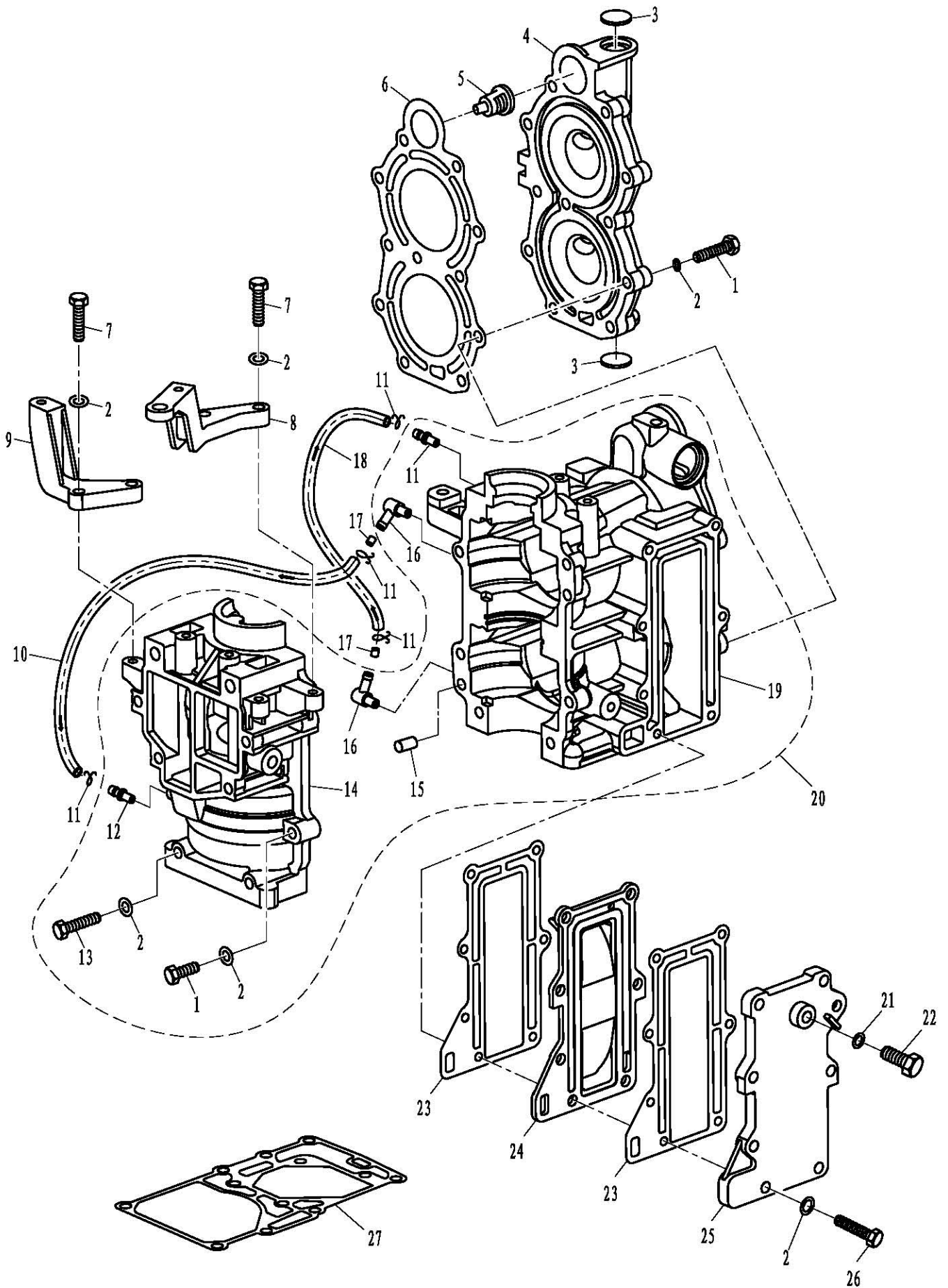
PARTS NAME: CRANKSHAFT & PISTON





零部件名称: 曲轴箱

PARTS NAME: CRANKCASE



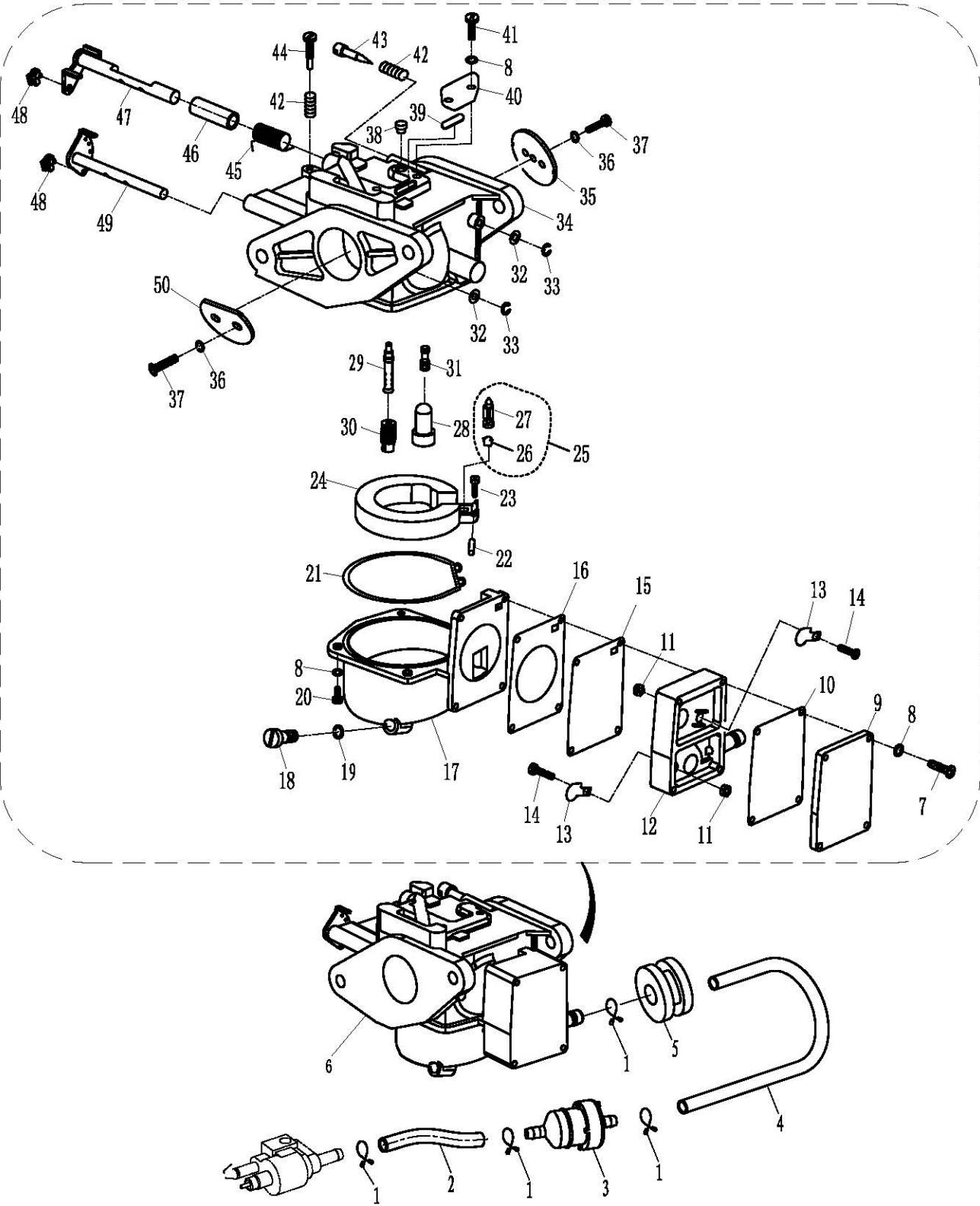


零部件名称:

燃油系统

PARTS NAME:

FUEL SYSTEM



SN. 参照号码	PART NO. 零件编号	DESCRIPTION 零件名称(中文)	DESCRIPTION 零件名称(英文)	QTY 数量				REMARKS 备注
1	F4-04000030	油管夹簧 B	CLIP SPRING B, OIL PIPE	4				
2	T8-03000003	燃油管 $\Phi 10 \times \Phi 5 \times 120$	OIL PIPE $\Phi 10 \times \Phi 5 \times 120$	1				
3	F4-050000300	燃油过滤器组件	FILTER ASSY	1				
4	T8-03000002	燃油定形管	OIL PIPE	1				
5	T8-03000004	油管减震圈	ABSORBER, OIL PIPE	1				
6	T8-05000800	化油器总成	CARBURETOR ASSY	1				
7	GB/T818-M4x22	十字槽盘头螺钉M4x22	SCREW M4x22	4				



零部件名称:

燃油系统

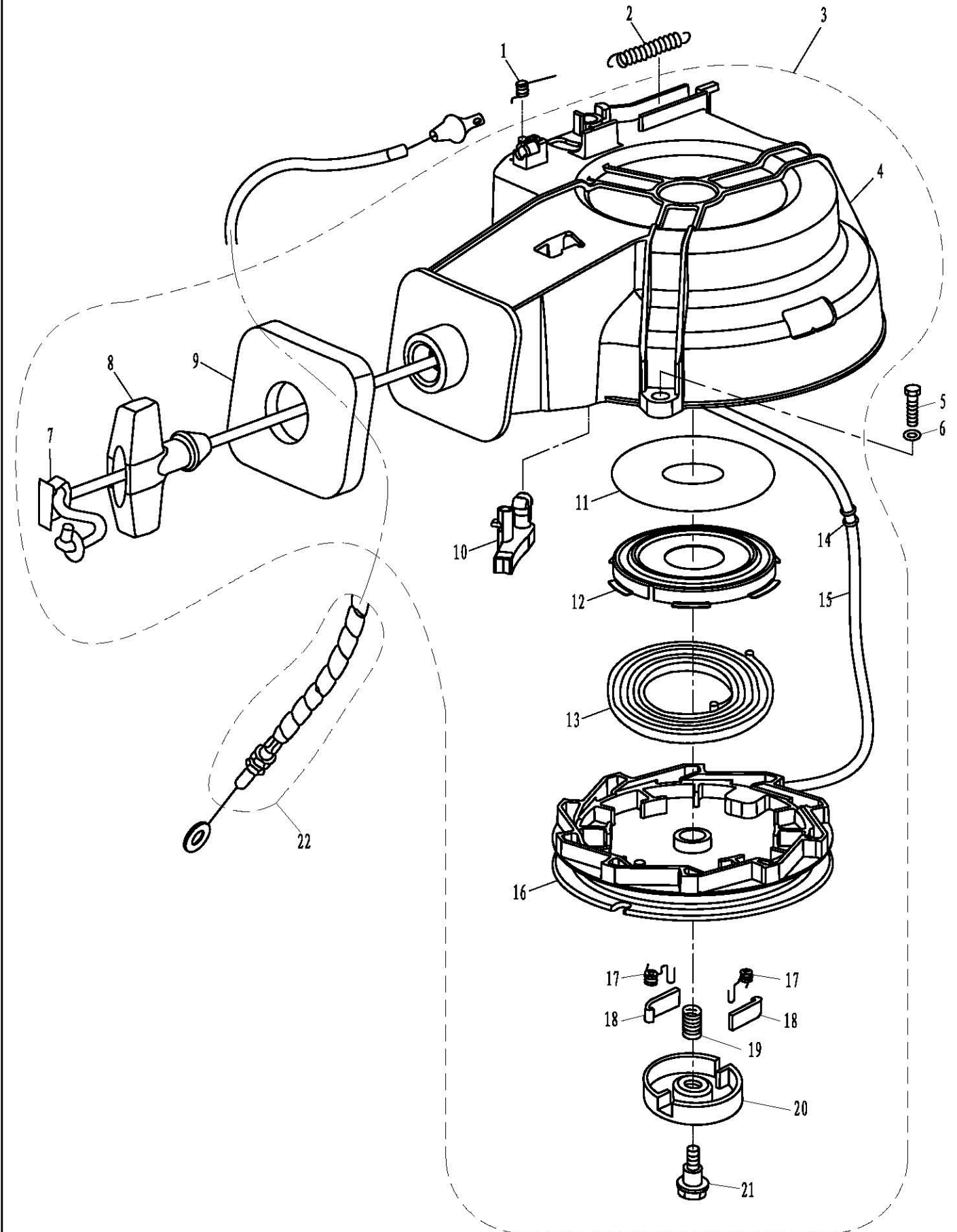
PARTS NAME:

FUEL SYSTEM

SN. 参照号码	PART NO. 零件编号	DESCRIPTION 零件名称(中文)	DESCRIPTION 零件名称(英文)	QTY 数量				REMARKS 备注
8	GB/T93-4	弹性垫圈 4	SPRING-WASHER 4	10				
9	T8-05000834	燃油泵盖	COVER, FUEL PUMP	1				
10	T8-05000833	燃油泵盖密封垫	GASKET, FUEL PUMP COVER	1				
11	GB/T6170-M3	六角螺母 M3	NUT M3	2				
12	T8-05000830	燃油泵壳	FUEL PUMP SHELL	1				
13	F4-04090005	单向阀片	CHECK VALVE	2				
14	F4-04090011	阀片螺钉	SCREW M3x5	2				
15	T8-05000826	燃油泵隔膜	DIAPHRAGM, FUEL PUMP	1				
16	T8-05000829	燃油泵壳密封垫	GASKET, FUEL PUMP	1				
17	T8-05000823	油杯本体	OIL CUP	1				
18	T8-05000824	放油螺塞	DRAIN SCREW	1				
19	T8-05000825	放油螺塞垫片	GASKET	1				
20	GB/T818-M4x14	十字槽盘头螺钉M4x14	BOLT M4x14	4				
21	T8-05000822	油杯本体密封垫	GASKET, OIL CUP	1				
22	T8-05000821	浮子销	PIN, FLOAT	1				
23	GB/T818-M4x6	十字槽盘头螺钉M4x6	BOLT M4x6	1				
24	T8-05000820	浮子	FLOAT	1				
25	T8-05000819	针阀组件	NEEDLE VALVE ASSY	1				
26	T8-05000819-2	针阀弹簧	SPRING, NEEDLE VALVE	1				
27	T8-05000819-1	针阀	NEEDLE VALVE	1				
28	T8-05000808	胶帽	RUBBER CAP	1				
29	T8-05000807	主喷嘴	MIAN NOZZLE	1				
30	T8-05000806	主量孔	MIAN JET	1				
31	T8-05000805	空气减速量孔	SLOW JET	1				
32	T8-05000815	摆杆垫圈	WASHER, SWING LINK	2				
33	GB/T896-4	开口挡圈 4	CIRCLIP 4	2				
34	T8-05000801	化油器本体	CARBURETOR	1				
35	T8-05000816	油门挡板	APRON, ACCELERATOR	1				
36	GB/T93-3	弹性垫圈 3	SPRING-WASHER 3	3				
37	GB/T818-M3x5	十字槽盘头螺钉M3x5	BOLT M3x5	3				
38	T8-05000810	堵头	PLUG	1				
39	T8-05000809	橡胶板	RUBBER PLATE	1				
40	T8-05000811	面板	PLATE	1				
41	GB/T818-M4x10	十字槽盘头螺钉 M4x10	BOLT M4x10	2				
42	T8-05000803	调节螺钉弹簧	SPRING	2				
43	T8-05000804	怠速螺钉	IDLE SCREW	1				
44	T8-05000802	油门停止螺钉	STOP SCREW	1				
45	T8-05000814	油门摆杆扭簧	TWIST SPRING	1				
46	T8-05000813	油门摆杆垫管	PIPE, SWING LINK	1				
47	T8-05000812	油门摆杆组件	ACCELERATOR BAR ASSY	1				
48	T8-05000022	油门控制器连杆接头	TIE-IN,	1				
49	T8-05000817	阻风门摆杆组件	ROD ASSY, AIR STRANGER	1				
50	T8-05000818	阻风门挡板	APRON, AIR STRANGER	1				

零部件名称: 起动机

PARTS NAME: STARTER



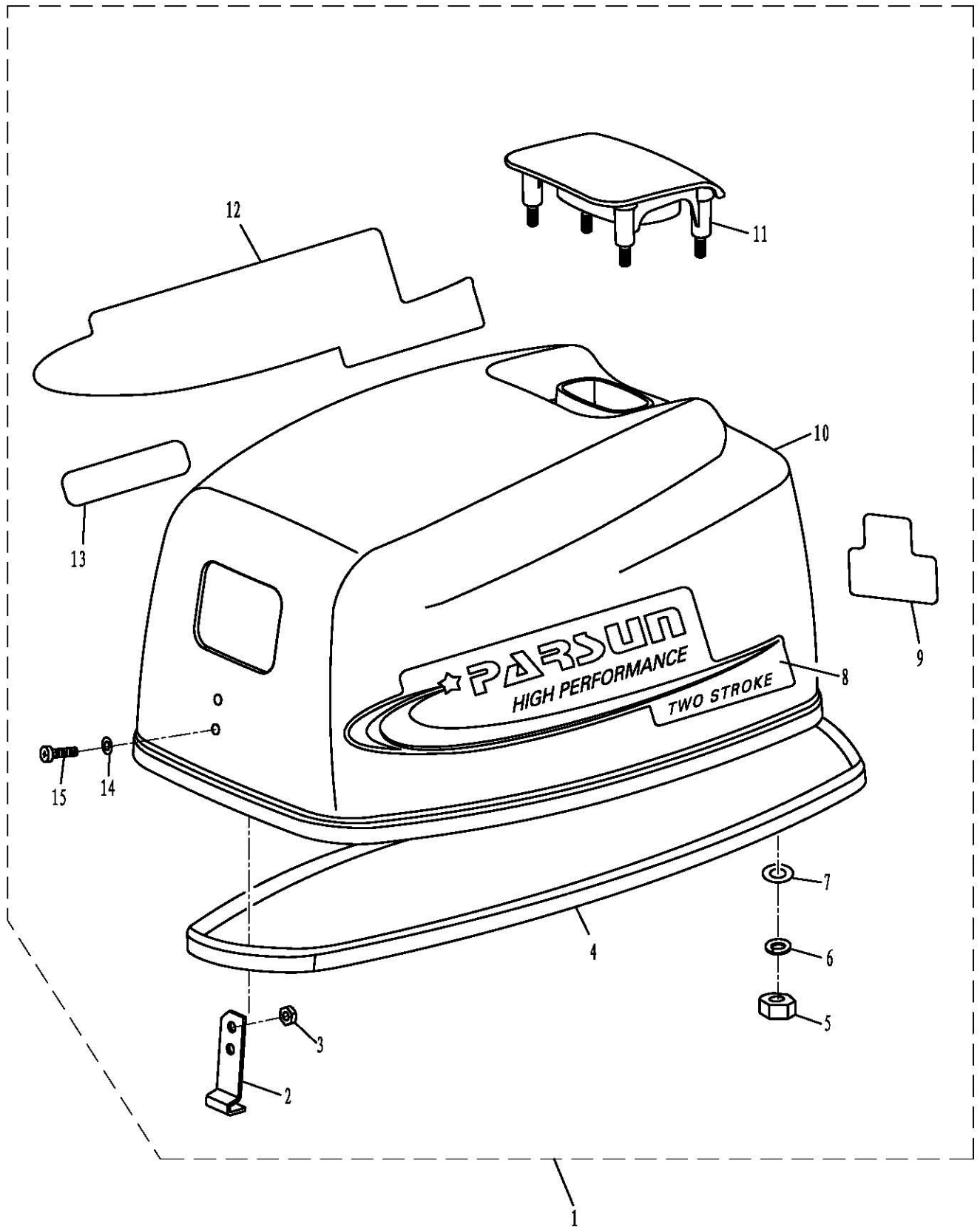


零部件名称:

顶罩组件

PARTS NAME:

TOP COWLING ASSY



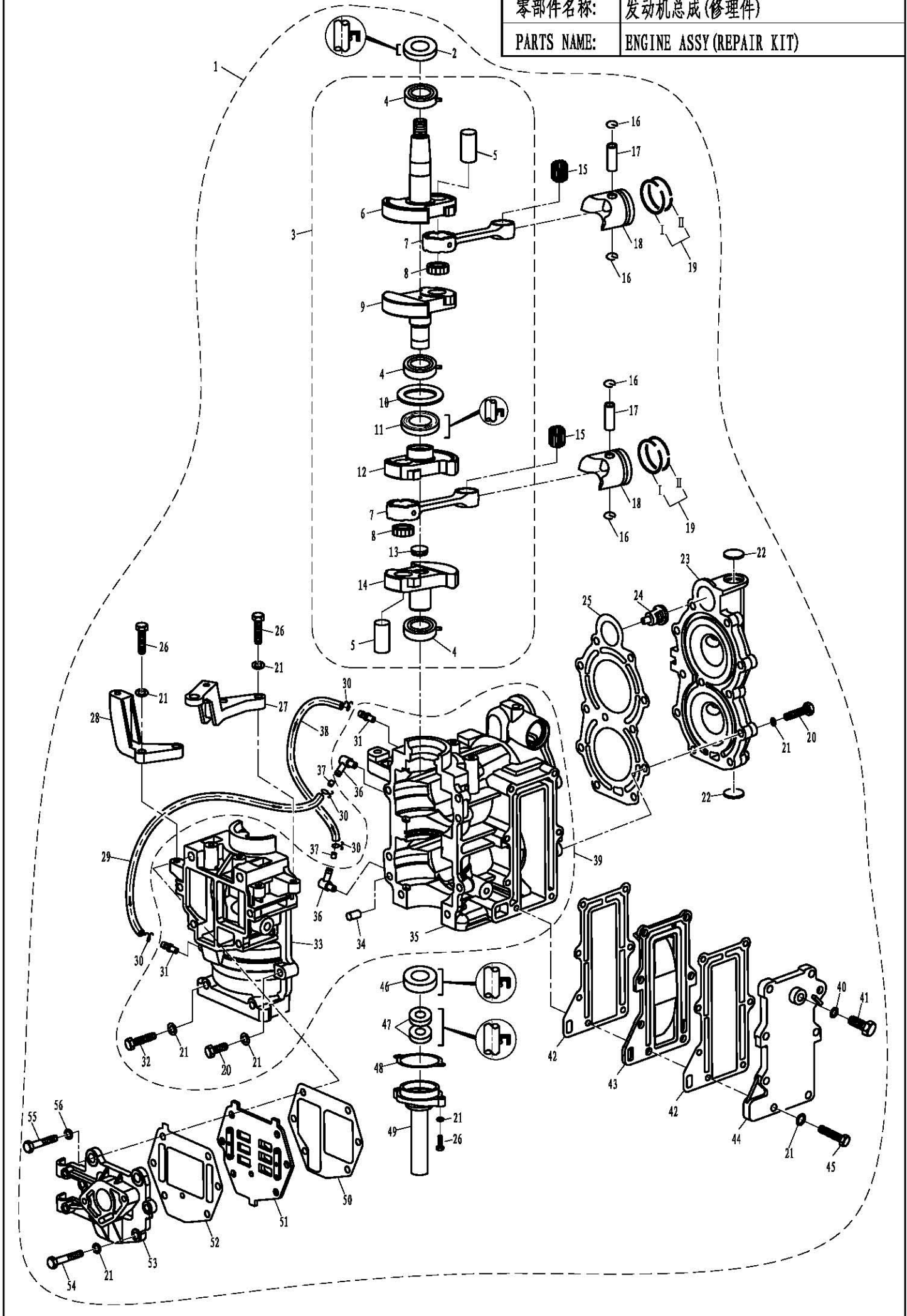






零部件名称: 发动机总成(修理件)

PARTS NAME: ENGINE ASSY(REPAIR KIT)



零部件名称:

发动机总成(修理件)

PARTS NAME:

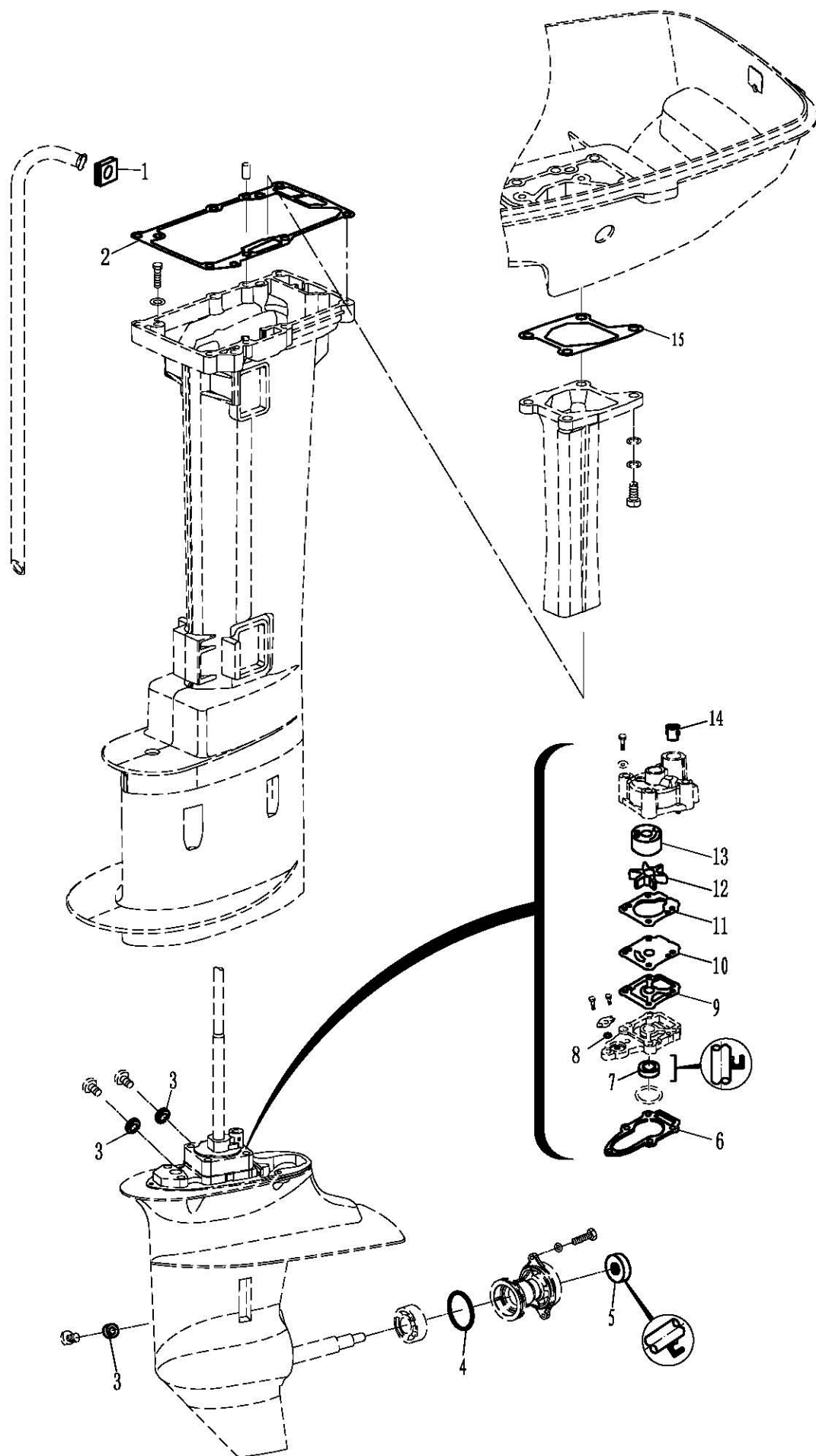
ENGINE ASSY(REPAIR KIT)

SN. 参照号码	PART NO. 零件编号	DESCRIPTION 零件名称(中文)	DESCRIPTION 零件名称(英文)	QTY 数量					REMARKS 备注
1	T8-05000000	发动机总成	ENGINE ASSY	1					
2	T8-05020001	曲轴上油封 20x35x7	OIL SEAL 20x35x7	1					
3	T8-05020100	曲轴组件	CRANKSHAFT ASSY	1					
4	T8-05020002	深沟球轴承6204(带销)	BEARING 6204	3					
5	T8-05020102	曲轴销	PIN, CRANKSHAFT	2					
6	T8-05020101	曲轴甩块 A	BLOCK, SWING A	1					
7	T8-05020104	连杆	CONNECTING ROD	2					
8	T8-05020103	滚针轴承 $\phi 17 \times \phi 23 \times 13.8$	QUILL BEARING	2					
9	T8-05020105	曲轴甩块 B	BLOCK, SWING B	1					
10	T8-05020106	曲轴定位片	LOCATING FLAKE, CRANKSHAFT	1					
11	T8-05020107	曲轴油封 25x47x7.5	OIL SEAL 25x47x7.5	1					
12	T8-05020108	曲轴甩块 C	BLOCK, SWING C	1					
13	T8-05020110	甩块堵头	JAM, SWING BLOCK	1					
14	T8-05020109	曲轴甩块 D	BLOCK, SWING D	1					
15	T8-05020007	滚针轴承 $\phi 14 \times \phi 18 \times 19$	QUILL BEARING $\phi 14 \times \phi 18 \times 19$	2					
16	GB/T895.1-14	孔用钢丝挡圈 14	CIRCLIP	4					
17	T8-05020005	活塞销	PIN, PISTON	2					
18	T8-05020004	活塞	PISTON	2					
19	T8-05020008	活塞环 I (黑色)	PISTON RING I (BLACK)	2					
		活塞环 II (白色)	PISTON RING II (WHITE)	2					
20	T3.6-04000017	六角螺栓 M6x30	BOLT M6x30	13					
21	GB/T97.1-6	平垫圈 6	WASHER 6	32					
22	T8-05000201	缸头堵塞	PLUG, CYLINDER HEAD	2					
23	T8-05000200	气缸盖	CYLINDER COVER	1					
24	F4-04000036	节温器	THERMOSTAT	1					
25	T8-05000100	缸头复合垫	GASKET, CYLINDER HEAD	1					
26	GB/T5783-M6x20	六角螺栓 M6x20	BOLT M6x20	6					
27	T8-05000016	起动机左支架	LEFT BRACKET, STARTER	1					
28	T8-05000017	起动机右支架	RIGHT BRACKET, STARTER	1					
29	T8-05000001	回油管 $\phi 8 \times \phi 4 \times 120$	OIL PIPE $\phi 8 \times \phi 4 \times 120$	1					
30	T8-05000019	油管夹簧	CLIP SPRING, OIL PIPE	4					
31	T8-05010103	回油嘴	OIL NIPPLE	2					
32	T8-05000021	六角螺栓 M6x50	BOLT M6x50	2					
33	T8-05010201	机座	CRANKCASE	1					
34	F15-00000006	定位销 $\phi 6 \times 12$	DOWEL PIN $\phi 6 \times 12$	2					
35	T8-05010101	机体	CYLINDER CASE	1					
36	T8-05010102	气嘴组件	GAS NIPPLE ASSY	2					
37	T8-05000300	单向阀组件	CHECK VALVE ASSY	2					
38	T8-05000002	回油管 $\phi 8 \times \phi 4 \times 230$	OIL PIPE $\phi 8 \times \phi 4 \times 230$	1					
39	T8-05010000	机体机座组件	CRANKCASE ASSY	1					
40	F4-03000024	注油孔密封垫	GASKET	1					
41	GB/T5783-M8x8	六角螺栓 M8x8	BOLT M8x8	1					
42	T8-05000004	排气盖板垫	GASKET, EXHAUST COVER	2					



零部件名称: 附件 I (维修件)

PARTS NAME: APPENDIX I (REPAIR KIT)





零部件名称: 附件 II (修理件)

PARTS NAME: APPENDIX II (REPAIR KIT)

