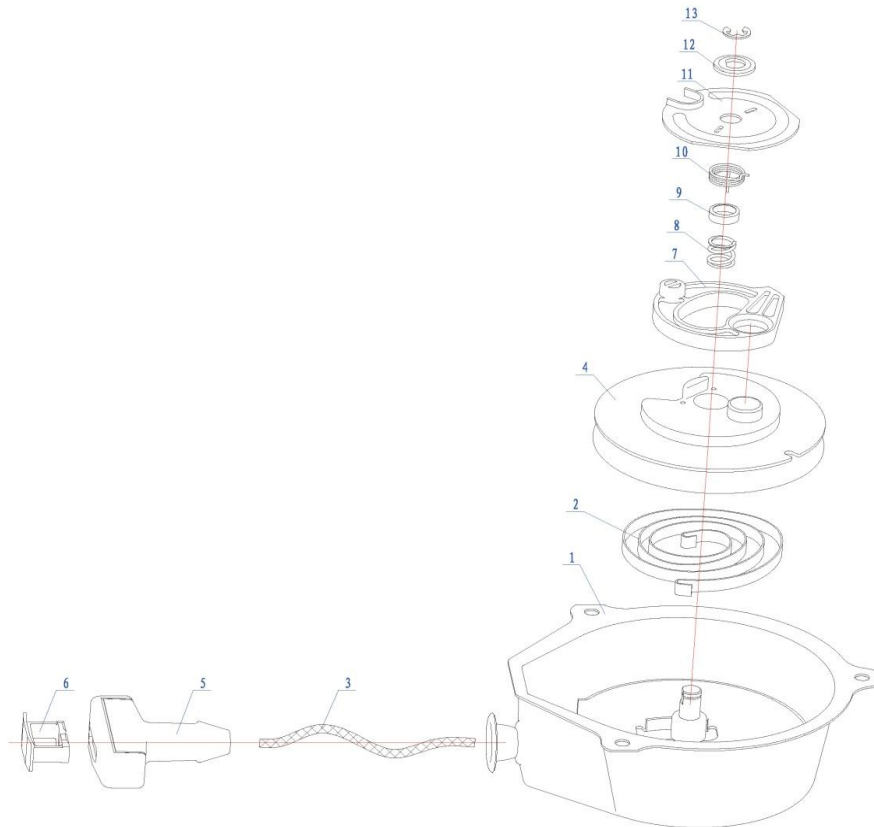
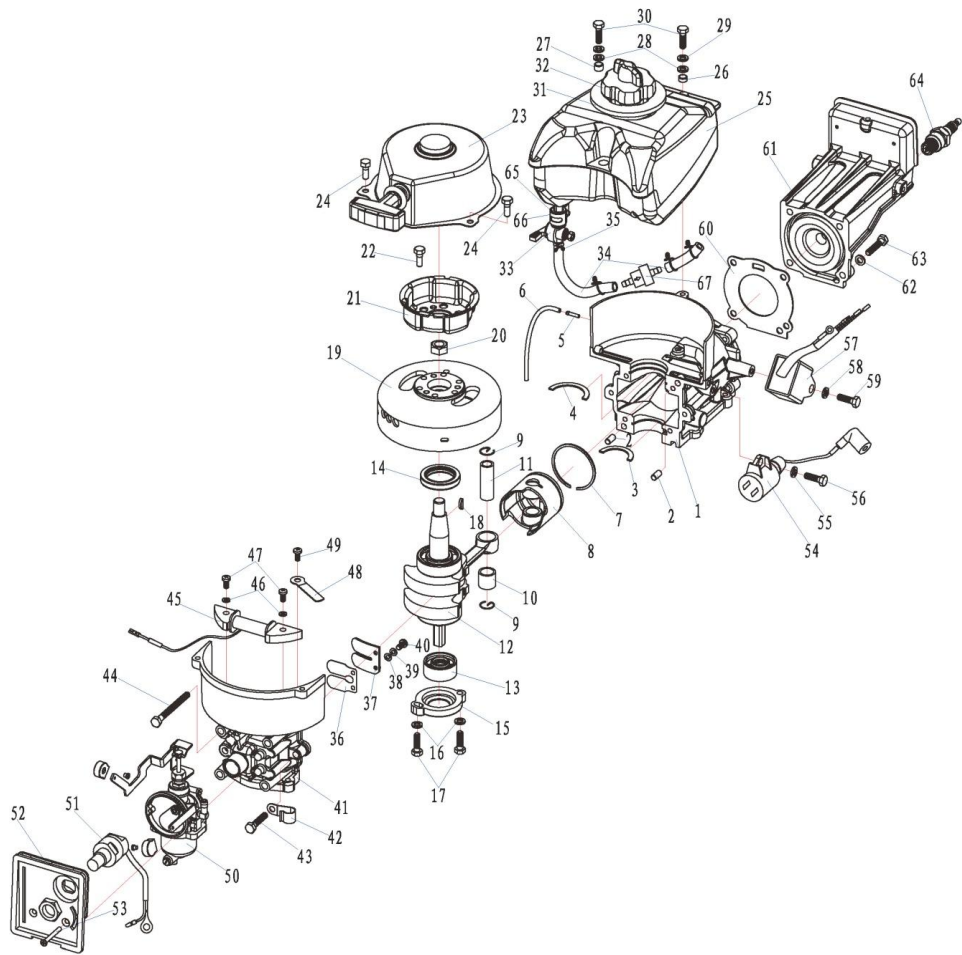


REF NO	物料代码	PART CODE	DESCRIPTION (EN)	DESCRIPTION (CN)	Q'TY
1	01010910	3.5F-06.01.01	Lower casing	水下壳体	1
2	01050915	3.5F-06.01.06	Bearing	轴承6000	1
3	01050921	3.5F-06.01.18	Sleeve	衬管	1
4	01050918	3.5F-06.01.12	Drive shaft	驱动轴	1
5	01050913	3.5F-06.01.05	Bearing	轴承6001	1
6	01042061	3.5F-06.01.08	Hole collar	孔用挡圈28	1
7	01050916	3.5F-06.01.07	Oil seal	油封	1
8	01050912	3.5F-06.01.04	Bearings	轴承6300	1
9	01050917	3.5F-06.01.11	Pignion gear	主动轮	1
10	0104180	3.5F-06.01.10	Circlip	开口挡圈7	1
11	01080636	3.5F-06.01.17	Forward gear shim	正档齿轮填隙片	1
12	01050922	3.5F-06.06.00	Propeller shaft assy	螺旋桨轴组件	1
13	01010914	3.5F-06.04.01	Water pump housing	水泵壳体	1
14	01050637	9.8F-06.21	Oil seal	双唇口油封	1
15	01050913	3.5F-06.01.05	Bearing	轴承6001	1
16	01060910	3.5F-06.04.04	O - Ring	O型圈	1
17	01020908	3.5F-06.05.01	Impeller pin	叶轮销	1
18	01060911	3.5F-06.05.02.00	Water pump impeller assy.	水泵叶轮组件	1
19	01010913	3.5F-06.03.01	Water pump housing cover	水泵壳体盖	1
20	0104158	GB848 M6	Plane washer	平垫6	2
21	0104012	GB933 M6*20	Bolt	六角头螺栓M6*20	2
22	01020907	3.5F-06.02.02	Spacing pin	限位销4*24	1
23	01010912	3.5F-06.02.01	Propeller shaft assy	螺旋桨	1
24	01041890	3.5F-06.02.03	Cotter pin	开口销3.6*43	1
25	01080139	15F-06.01.04	Washer	螺塞密封垫	2

26	01020128	15F-06.01.03	Oil filling plug	注油口螺塞	2
27	01010911	3.5F-06.01.09	Anode	阳极	1
28	0104009	GB933 M6*16	Bolt	六角头螺栓M6*16	1
29	01060909	3.5F-06.01.15	Water pipe lower seal ring	水管下密封圈	1
30	01050919	3.5F-06.01.13	Rectangular drive shaft	矩形驱动轴	1
31	01100902	3.5F-06.01.14	Sleeve	护套	1
32	0104014	GB933 M6*30	Bolt	六角头螺栓 M6*30	1
33	0104154	GB933 M6	Spring washer	弹垫6	1
34	0104158	GB848 M6	Plane washer	平垫6	1

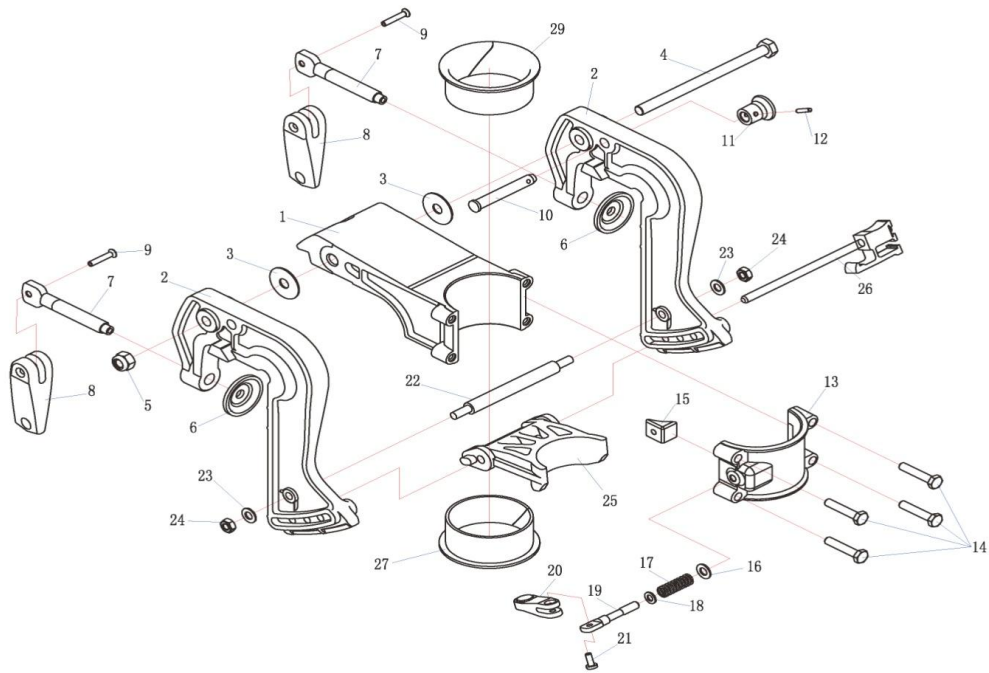


REF NO	物料代码	PART CODE	DESCRIPTION (EN)	DESCRIPTION (CN)	QTY
1	01080905	3.5F-01.02.01.00	Starter cover	启动罩组件	1
2	01090903	3.5F-01.02.12	Spiral spring	涡型弹簧	1
3	01100301	F4-01.01.15	Starter rope	启动绳3.5M*1800MM	2
4	01070901	3.5F-01.02.03	Sheave drum	起动轮	1
5	01060103	15F-01.01.08	Starter handle	起动手柄	1
6	01070110	15F-01.01.10	Handle cover	起动手柄盖(A1)(B1)(C1)(D1)	1
7	01070902	3.5F-01.02.11	Starter Pulley	启动器	1
8	01090902	3.5F-01.0 2 .10	Plate spring	压盘弹簧	1
9	01080909	3.5F-01.0 2 .09	Spring bushing	扭簧衬圈	1
10	01090901	3.5F-01.0 2 .08	Spring	扭簧	1
11	01080908	3.5F-01.0 2 .07	Plate	压板	1
12	01080907	3.5F-01.02.06	Washer	垫圈	1
13	0104179	GB896 M6	Circlip	开口挡圈 6	1



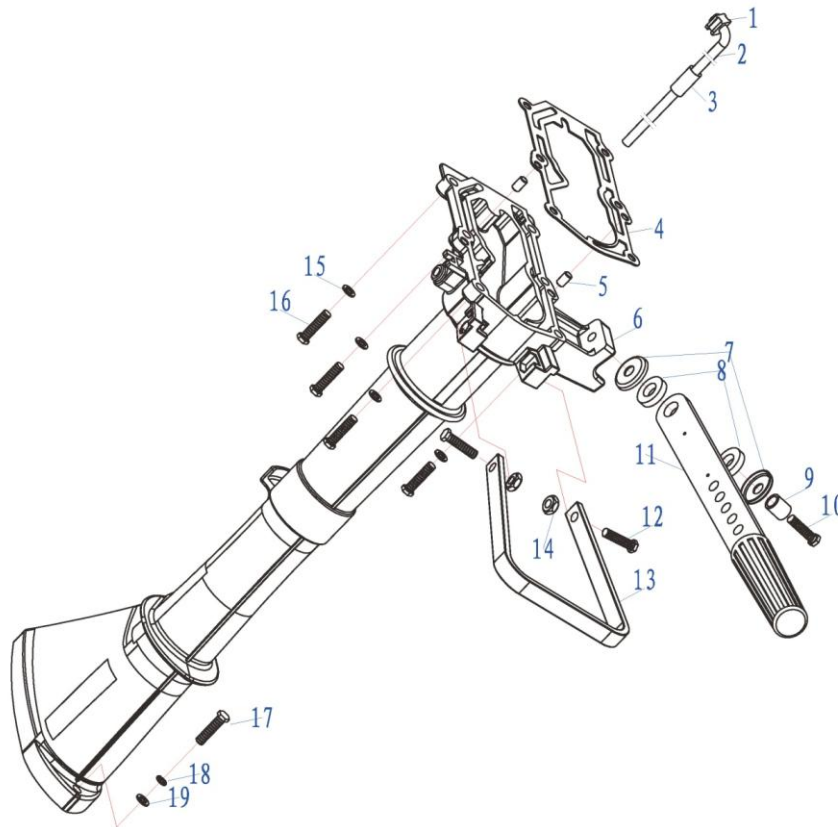
REF NO	物料代码	PART CODE	DESCRIPTION (EN)	DESCRIPTION (CN)	QTY
1	N/A	3.5F-01.01.01.01	Crankcase assy.	箱体组件	1
2	01020110	15F-01.06.20	Dowel pin	定位销(6*12)	2
3	01080904	3.5F-01.01.10	U shape block ring	U 型限位环	1
4	01080903	3.5F-01.01.09	U shape block ring	U 型限位环	1
5	01020111	15F-01.06.2 1	Round joint B	气管圆接头 B	1
6	01060901	3.5F-01.01.01.0 4	Tube	水管	1
7	01050909	3.5F-01.01.11.05	Piston ring	活塞环	1
8	01050905	3.5F-01.01.11.01	Piston	活塞	1
9	01050908	3.5F-01.01.11.0 4	Snap ring	活塞销卡簧	2
10	01050907	3.5F-01.01.11.0 3	Needle bearing	滚针轴承	1
11	01050906	3.5F-01.01.11.02	Piston pin	活塞销	1
12	01050904	3.5F-01.01.11.0 0	Crankshaft & linkage Assy.	曲轴连杆组件	1
13	01050903	3.5F-01.01.0 8	Crankshaft lower oil seal	曲轴下油封	1
14	01050902	3.5F-01.01.07	Crankshaft upper oil seal	曲轴上油封	1
15	01010904	3.5F-01.01.18	Oil seal housing	油封壳体	1
16	0104159	GB848 M8	Plane washer	平垫 6	2
17	0104011	GB933 M6*18	Bolt	六角头螺栓M* 1 8	2
18	01100904	3.5F-01.03.01.07	Woodruff key	半圆键	1
19	01030901	3.5F-01.03.01.00	Flywheel assy	飞轮总成	1
20	01020305	F4-01.06.37	Flywheel nut	飞轮螺母M10	1
21	01080910	3.5F-01.02.13	Starter pulley	起动轆	1
22	0104008	GB933 M6*12	Bolt	六角头螺栓M6*12	3
23	01080905	3.5F-01.02.01.00	Recoil starter	启动罩组件	1

24	0104008	GB933 M6*12	Bolt	六角头螺栓M6*12	2
25	01070905	3.5F-01.07.01.00	Fuel Tank	燃油箱组件	1
26	01020901	3.5F-01.07.04	Cushing tube A	垫管A	1
27	01020902	3.5F-01.07.05	Cushing tube B	垫管B	1
28	0104159	GB848 M8	Plane washer	平垫6	2
29	0104154	GB933 M6	Spring washer	弹垫6	2
30	0104012	GB933 M6*20	Bolt	六角头螺栓M6*20	1
31	01060904	3.5F-01.07.03	Fuel filler damper	油箱口减震圈	1
32	01070906	3.5F-01.07.02.00	Fuel tank cap assy.	油箱盖总成	1
33	01070904	3.5F-01.04.03.00	Fuel cock	油开关总成	1
34	01060903	3.5F-01.04.06	Fuel line	燃油管	2
35	01090139	N/A	Hose clip	管夹10	4
36	01080901	3.5F-01.01.03	Intake valve	进气阀片	1
37	01080902	3.5F-01.01.04	Intake valve seat	进气阀座	1
38	0104156	GB848 M4	Plane washer	平垫4	2
39	0104152	GB933 M4	Spring washer	弹垫4	2
40	0104073	GB818 M4*12	Screw	十字槽盘头螺钉M4*12	2
41	01010902	3.5F-01.01.02	Crankcase cover	箱盖	1
42	01080210	F15-01.03.00.42	Air breather hose clip	通气管固定夹B	1
43	0104014	GB933 M6*30	Bolt	六角头螺栓M6*30	2
44	0104020	GB933 M6*30	Bolt	六角头螺栓M6*65	4
45	01030905	3.5F-01.03.05	Charging Coil	充电线圈	1
46	0104153	GB933 M5	Spring washer	弹垫5	2
47	0104080	GB818 M5*20	Screw	十字槽盘头螺钉M5*20	2
48	01030907	3.5F-01.03.06	Line clip	线卡	
49	01040760	GB818 M5*10	Screw	十字槽盘头螺钉M5*10	1
50	01050910	3.5F-01.04.01.00	Carburetor assembly	化油器总成	1
51	01100112	15F-04.07.03	Engine shut-off switch	急停开关总成	1
52	01070903	3.5F-01.03.09.00	Air intake hood	进气罩	1
53	01041290	GB823 M4*35	Screw	十字槽盘头螺钉M4*35	2
54	01030903	3.5F-01.03.03	Ignition coil	高压包	1
55	0104171	GB97 M6	Plane washer	平垫6	1
56	0104012	GB933 M6*20	Bolt	六角头螺栓M6*20	2
57	01030902	3.5F-01.03.02	CDI	点火控制器	1
58	0104171	GB97 M6	Plane washer	平垫6	1
59	0104009	GB933 M6*12	Bolt	六角头螺栓M6*16	1
60	01050901	3.5F-01.01.06	Cylinder head gasket	汽缸垫	1
61	01010903	3.5F-01.01.05	Cylinder cover	汽缸盖	1
62	0104159	GB848 M8	Plane washer	平垫6	4
63	0104014	GB933 M6*30	Bolt	六角头螺栓M6*30	4
64	01030904	3.5F-01.03.04	Spark plug	火花塞	1
65	01060902	3.5F-01.04.04	Fuel line connector	连接油管	1
66	01080911	3.5F-01.04.05.00	Clamp assy.	夹箍组件	1
67	01050333	F4-01.07.08.00	Fuel filter	燃油滤清器组件(C1)	1

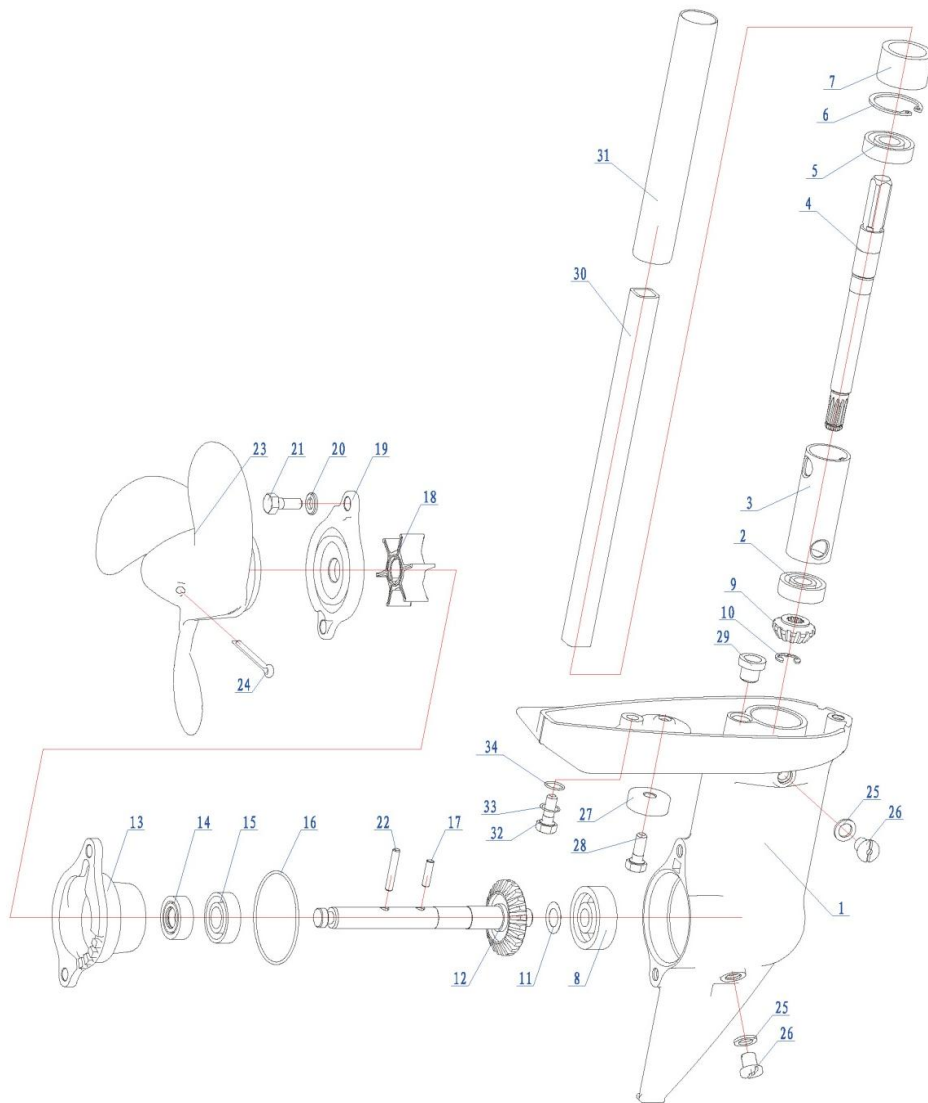


REF NO	物料代码	PART CODE	DESCRIPTION (EN)	DESCRIPTION (CN)	Q'TY
1	01010906	3.5F-03.03.01	Swivel bracket	旋转托架	1
2	01010905	3.5F-03.01.01	Bracket	托架	2
3	01080635	9.8F-0.3.05.10	P lane washer	大平垫8(8.6*27.7*1)	2
4	01040480	M8*125	Bolt	六角头螺栓M8*125	1
5	0104147	GB985 M8	Nut	六角尼龙锁紧螺母M8	1
6	01080118	3.5F-0.3.01.03	Clamp plate	夹紧盘	2
7	01020311	F4-03.01.03	Transom clamp bolt	舰板夹紧螺栓	2
8	01070140	15F-03.05.02.04	Lock handle	夹紧手柄	2
9	0104199	GB/T1015-1986	Rivet	铆钉	2
10	01020903	3.5F-03.02.01.01	Spacing shaft	限位轴	10
11	01070907	3.5F-03.02.01.02	Spacing shaft handle	限位轴手柄	
12	01041940	GB/T879.2-2000	Spring cylindrical pin	弹性圆柱销3*12	
13	01010907	3.5F-03.03.02	Swivel bracket cover	旋转托架盖	
14	0104014	GB933 M6*30	Bolt	六角头螺栓M6*30	
15	01010908	3.5F-03.03.04	Lock plate	锁紧压板	
16	0104158	GB848 M6	Plane washer	平垫6	
17	01090401	F2.5-03.01.00.02	Spring	压簧	
18	0104157	GB848 M5	Plane washer	平垫5	
19	01070432	F2.5-03.01.00.01	Locker bolt	锁紧螺杆	
20	01070327	F4-03.05.06.01	Locker handle	锁紧手柄	
21	0104200	GB/T875-1986	River	扁平头半空心铆钉4*10	
22	01020904	3.5F-03.05	Bolt	双头螺栓	
23	0104158	GB848 M6	Plane washer	平垫6	
24	0104138	GB934 M6	Nut	六角螺母M6	
25	01070909	3.5F-03.04	Bracket cover	托架盖	

26	01070910	3.5F-03.06.00	Trim rod	角度定位件组件	
27	01070908	3.5F-03.03.05	Antifriction circle	减磨圈	



REF NO	物料代码	PART CODE	DESCRIPTION (EN)	DESCRIPTION (CN)	QTY
1	01060907	3.5F-05.02.02	Rubber ring	工型橡胶圈	1
2	01100901	3.5F-05.02.01	Water pipe	水管	1
3	01060908	3.5F-05.02.03	Rubber pipe	橡胶管	1
4	01050911	3.5F-05.04	Engine gasket	机体密封垫	1
5	01020110	15F-01.06.20	Dowel pin	定位销	1
6	01010909	3.5F-05.01	Waterborne casing	水上装置壳体	1
7	01080914	3.5F-04.03	Plate	盖板	2
8	01060906	3.5F-04.02	Damper	减震圈	2
9	01020906	3.5F-04.04	Collar	衬管	1
10	0104037	M8*30	Bolt	六角头螺栓M8*30	1
11	01080913	3.5F-04.01.00	Steering handle assy.	操舵手柄总成	1
12	0104013	GB933 M6*25	Bolt	六角头螺栓M6*25	1
13	01080915	3.5F-05.06	Carrying handle	提手	1
14	0104138	GB934 M6	Nut	六角螺母M6	1
15	0104158	GB848 M6	Plane washer	平垫6	1
16	0104013	GB933 M6*25	Bolt	六角头螺栓M6*25	1
17	0104014	GB933 M6*30	Bolt	六角头螺栓M6*30	1
18	0104154	GB933 M6	Spring washer	弹垫6	1
19	0104158	GB848 M6	Plane washer	平垫6	1



REF NO	物料代码	PART CODE	DESCRIPTION (EN)	DESCRIPTION (CN)	Q'TY
1	01010910	3.5F-06.01.01	Lower casing	水下壳体	1
2	01050915	3.5F-06.01.06	Bearing	轴承6000	1
3	01050921	3.5F-06.01.18	Sleeve	衬管	1
4	01050918	3.5F-06.01.12	Drive shaft	驱动轴	1
5	01050913	3.5F-06.01.05	Bearing	轴承6001	1
6	01042061	3.5F-06.01.08	Hole collar	孔用挡圈28	1
7	01050916	3.5F-06.01.07	Oil seal	油封	1
8	01050912	3.5F-06.01.04	Bearings	轴承6300	1
9	01050917	3.5F-06.01.11	Pignion gear	主动轮	1
10	0104180	3.5F-06.01.10	Circlip	开口挡圈7	1
11	01080636	3.5F-06.01.17	Forward gear shim	正档齿轮填隙片	1
12	01050922	3.5F-06.06.00	Propeller shaft assy	螺旋桨轴组件	1
13	01010914	3.5F-06.04.01	Water pump housing	水泵壳体	1
14	01050637	9.8F-06.21	Oil seal	双唇口油封	1
15	01050913	3.5F-06.01.05	Bearing	轴承6001	1
16	01060910	3.5F-06.04.04	O - Ring	O型圈	1
17	01020908	3.5F-06.05.01	Impeller pin	叶轮销	1
18	01060911	3.5F-06.05.02.00	Water pump impeller assy.	水泵叶轮组件	1
19	01010913	3.5F-06.03.01	Water pump housing cover	水泵壳体盖	1

20	0104158	GB848 M6	Plane washer	平垫6	2
21	0104012	GB933 M6*20	Bolt	六角头螺栓M6*20	2
22	01020907	3.5F-06.02.02	Spacing pin	限位销4*24	1
23	01010912	3.5F-06.02.01	Propeller shaft assy	螺旋桨	1
24	01041890	3.5F-06.02.03	Cotter pin	开口销3.6*43	1
25	01080139	15F-06.01.04	Washer	螺塞密封垫	2
26	01020128	15F-06.01.03	Oil filling plug	注油口螺塞	2
27	01010911	3.5F-06.01.09	Anode	阳极	1
28	0104009	GB933 M6*16	Bolt	六角头螺栓M6*16	1
29	01060909	3.5F-06.01.15	Water pipe lower seal ring	水管下密封圈	1
30	01050919	3.5F-06.01.13	Rectangular drive shaft	矩形驱动轴	1
31	01100902	3.5F-06.01.14	Sleeve	护套	1
32	0104014	GB933 M6*30	Bolt	六角头螺栓 M6*30	1
33	0104154	GB933 M6	Spring washer	弹垫6	1
34	0104158	GB848 M6	Plane washer	平垫6	1