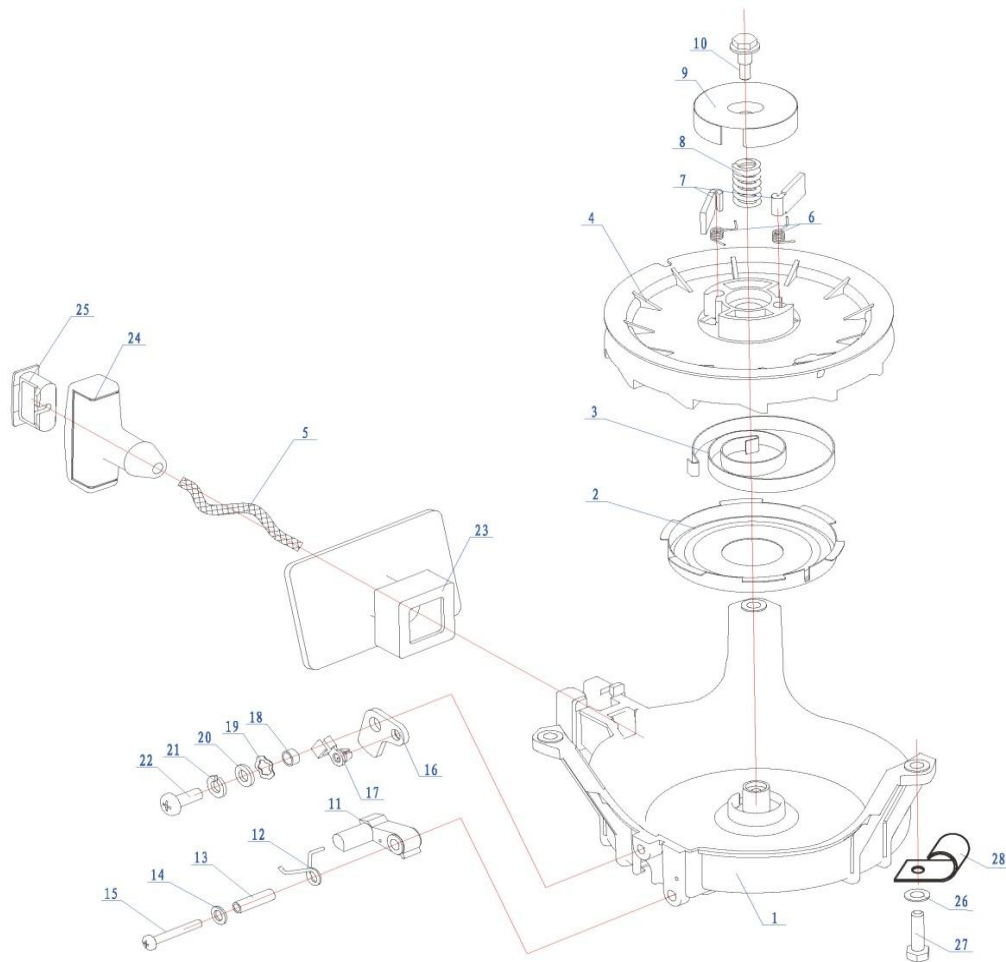
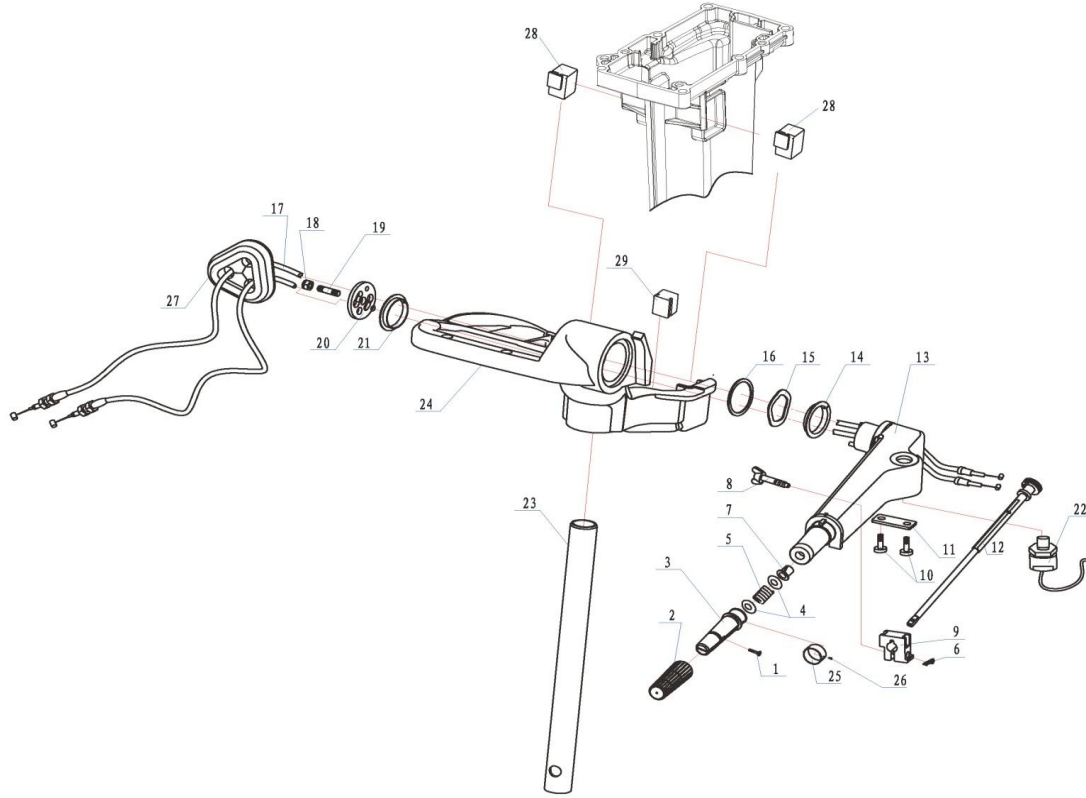


REF NO	物料代码	PART CODE	DESCRIPTION (EN)	DESCRIPTION (CN)	Q'TY
1					
2					
3					
4					
5					
6					
7					
8					
9					
10					



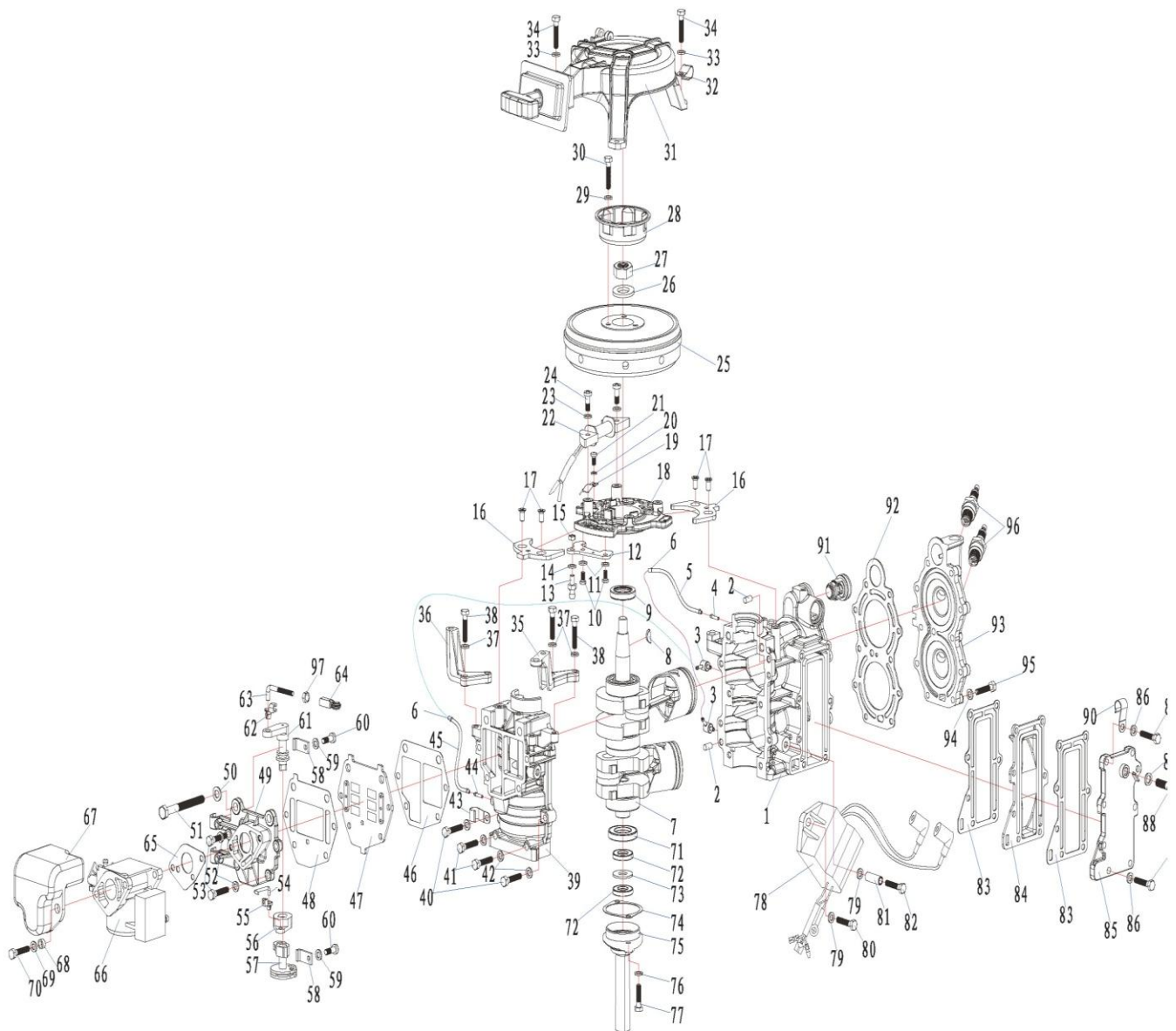
REF NO	物料代码	PART CODE	DESCRIPTION (EN)	DESCRIPTION (CN)	Q'TY
1	01010602	9.8F-01.01.19	Starter cover	启动罩	1
2	01080602	9.8F-01.01.10	Spiral spring plate	涡型弹簧盘	1
3	01090603	9.8F-01.01.09	Spiral spring	涡型弹簧	1
4	01070601	9.8F-01.01.07	Sheave drum	启动轮	1
5	01100301	9.8F-01.01.08	Starter rope	启动绳	1
6	01090602	9.8F-01-01.06	Drive pawl torsion spring	拨爪扭簧	2
7	01070626	9.8F-01.01.04	Drive pawl	启动拨爪	2
8	01090601	9.8F-01.01.05	Plate spring	压盘弹簧	1
9	01080601	9.8F-01.01.02	Starter plate	启动压盘	1
10	01020601	9.8F-01.01.03	Plate bolt	压盘螺栓	1
11	01070604	9.8F-01.01.16	Stopper arm	制动器	1
12	01090604	9.8F-01.01.18	Stopper arm spring	制动器扭簧	1
13	01020604	9.8F-01.01.17	Copper bushing	铜衬套	1
14	0104169	GB/T97.1	Plane washer	平垫4	1
15	0104102	GB/T818	Bolt	十字槽盘头螺栓4*30	1
16	01070602	9.8F-01.01.12	Stopper guide	制动器导向块	1
17	01070603	9.8F-01.01.13	Linkage connector	连杆接头	1
18	01020602	9.8F-01.01.14	Cushion tube	垫管	1
19	01080604	9.8F-01.01.15	Waveform washer	波垫	1
20	0104158	GB/T848	Plane washer	平垫6	1
21	0104154	GB/T93	Spring washer	弹垫6	1

22	01040831	GB/T818	Bolt	十字槽盘头螺栓6*16	1
23	01060601	9.8F-01.01.11.00	Rubber bracket assy.	橡胶托架组件	1
24	01060103	15F-01.01.08	Starter handle	起动手柄	1
25	01070110	15F-01.01.10	Handle cover	手柄盖	1
26	0104158	GB/T93	Plane washer	平垫6	3
27	0104012	GB/T5783	Bolt	六角头螺栓M6*20	3



REF NO	物料代码	PART CODE	DESCRIPTION (EN)	DESCRIPTION (CN)	Q'TY
1	0104117	GB/T820	Cross recessed head screws	十字槽半沉头螺钉M5x 2 5	1
2	01060124	FR15FH-04.07.14	Rubber handle sleeve	手柄橡胶套	1
3	01070154	FR15FH-04.07.13	Handle	手柄	1
4	0104160	GB/T848	Washer	平垫10	2
5	01090124	FR15FH-04.07.11	Spring	弹簧	1
6	0104187	GB/T91	Cotter pin	开口销	1
7	01070153	FR15FH-04.07.12	Bushing	衬套	1
8	01020126	FR15FH-04.07.09	Friction adjusting screw	阻力调整旋钮	1
9	01070152	FR15FH-04.07.08	Lock block	锁紧块	1
10	0104077	GB/T818	Screw	十字盘头螺钉M5x12	2
11	01080131	FR15FH-04.07.07	Throttle lever plate	节气门杆压板	1
12	01070151	FR15FH-04.07.05	Throttle lever	节气门杆	1
13	01010114	FR15FH-04.07.01	Steering handle	操舵手柄	1
14	01070150	FR15FH-04.06	Nylon bushing (long)	开口尼龙衬套 (长)	1

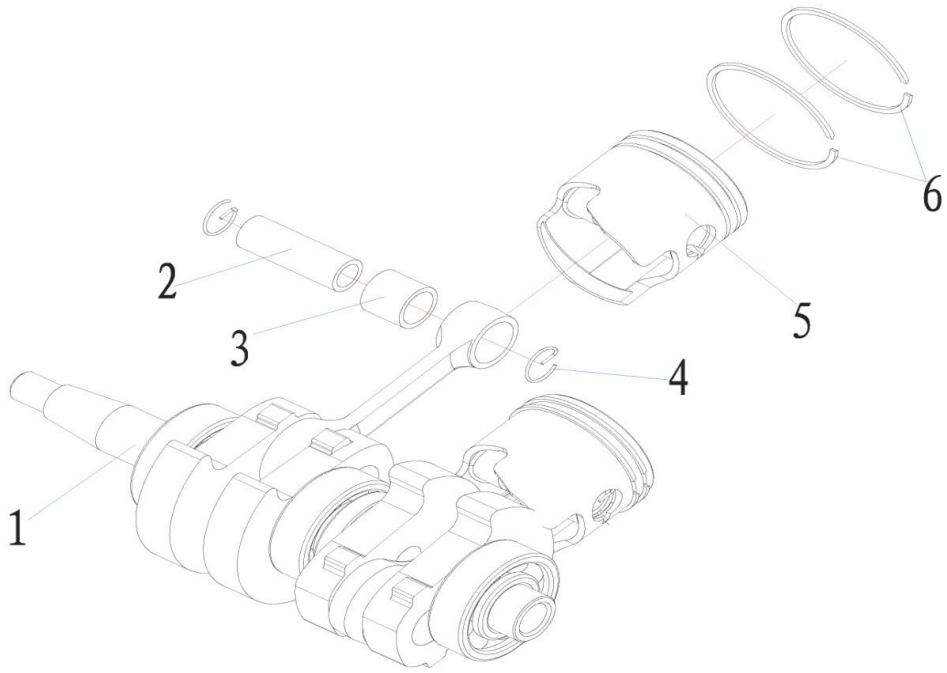
15	01080130	FR15FH-04.05	Waveform washer	波形垫圈	1
16	01070148	FR15FH-04.03	Nylon washers	尼龙垫圈	1
17	01100603	9.8F-04.13	Throttle cable	油门控制钢索	2
18	0104145	DIN985	Nut	六角头尼龙锁紧螺母M5	1
19	01020125	FR15FH-04.07.02	Bolt	双头螺柱	1
20	01080129	FR15FH-04.02	Steering handle plate	操舵手柄压板	1
21	01070149	FR15FH-04.04	Nylon bushing(short)	开口尼龙衬套 (短)	1
22	01100112	FR15FH-04.07.03	Engine shut-off switch	急停开关总成	1
23	01080625	9.8F-04.15.02	Bracket Inserts	托架镶件	1
24	01010619	9.8F-04.15.01	Steering bracket	操舵托架	1
25	01100111	FR15FH-04.07.15	Throttle indicator	油门标牌	1
26	0104089	GB827-86	Screw	十字槽盘头自攻ST2.2*5	1
27	01060615	9.8F-04.14	Cables fixer	钢索固定套	1
28	01060619	9.8F-05.09	Damper D	减震块D	1
29	01060618	9.8F-05.08	Damper C	减震块C	1



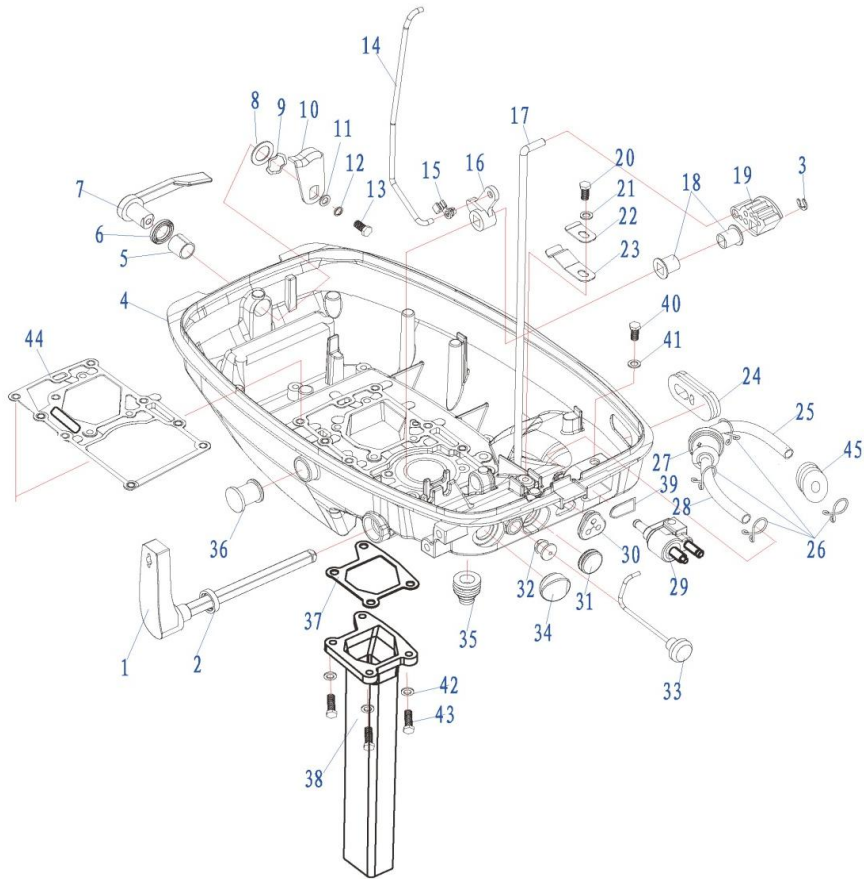
REF NO	物料代码	PART CODE	DESCRIPTION (EN)	DESCRIPTION (CN)	QTY
1	01010613	9.8 F-01.06.1 8.00	Crankcase assy.	箱体组件	1
2	01020110	15F-01.06.20	Dowel pin	定位销	2
3	01020108	15F-01.06.0 3	Round joint A	气管圆接头 A	2
4	01020111	15F-01.06.2 1	Round joint B	气管圆接头 B	2
5	01060602	9.8F-01.06.15	Air breather tube(long)	气管 (长)	1
6	01090138		Tube clip	管夹	
7	01050648	9.8F-01.06.20.00	Crankshaft & linkage assy.	曲轴连杆组件	4
8	01100602	9.8F-01.06.27	Woodruff key	半圆键	1
9	01050628	9.8F-01.06.28	Oil seal	油封35*20*7	1
10	01040760	GB/T818-2000	Screw	十字槽盘头螺钉5*10	1
11	0104153	GB/T93-1987	Spring washer	弹垫5	2
12	01080611	9.8F-01.03.10	Timing controller connecting plate	正时连接板	2
13	01020606	9.8F-01.03.11	Timing controller connecting bolt	正时连接螺栓	1

14	0104154	GB/T93-1987	Spring washer	弹垫6	1
15	0104138	GB/T6170-2000	Nut	六角头螺母M6	1
16	01070606	9.8F-01.03.09	Timing angle blocker	正时限位块	2
17	01041120	GB/T 822-2000	Screw	十字槽沉头螺钉6*12	4
18	01010604	9.8F-01.03.08	Timing controller	正时控制器	1
19	01080610	9.8F-01.03.07	Coil plate	线圈压板	1
20	0104152	GB/T 93-1987	Spring washer	弹垫4	1
21	0104072	GB/T818-2000	Screw	十字槽盘头螺钉4*6	1
22	01030603	9.8F-01.03.06.00	Charging coil	充电线圈组件	1
23	0104154	GB/T 93-1987	Spring washer	弹垫6	2
24	0104128	GB/T818-2000	Screw	十字槽盘头螺钉6*25	2
25	01030901	9.8F-01.03.06.00	Flywheel	飞轮组件	1
26	01080107	15F-01.03.20	Plane washer	飞轮平垫	1
27	01080106	15F-01.03.19	Flywheel nut	飞轮螺母	1
28	01080605	9.8F-01.01.20	Starter pulley	启动毂	1
29	0104154	GB/T 93-1987	Spring washer	弹垫6	3
30	0104008	GB/T5783-2000	Bolt	六角头螺栓M6*12	3
31	01010602	9.8F-01.01.00.00	Recoil starter	启动罩组件	1
32	01080210	F15-01.03.00.42	Air breather tube clip	通气管固定夹	1
33	0104154	GB/T 93-1987	Spring washer	弹垫6	3
34	0104012	GB/T5783-86	Bolt	六角头螺栓M6*20	3
35	01010605	9.8F-01.06.01	Starter case left bracket	启动罩支撑架左	1
36	01010606	9.8F-01.06.02	Starter case right bracket	启动罩支撑架右	1
37	0104154	GB/T 93-1987	Spring washer	弹垫6	4
38	0104013	GB/T5783-2000	Bolt	六角头螺栓M6*25	4
39	01010612	9.8F-01.06.12	Crankcase cover	箱盖	1
40	0104014	GB/T 5782-2000	Bolt	六角头螺栓M6*30	2
41	01040170	GB/T 5782-2000	Bolt	六角头螺栓M6*50	2
42	0104158	GB/T848-85	Plane washer	平垫6	4
43	01080210	F15-01.03.00.42	Air breather tube clip B	通气管固定夹B	1
44	01020111	15F-01.06.21	Air breather tube round joint B	气管圆接头B	1
45	01060603	9.8F-01.06.16	Breather (short)	气管(短)	1
46	01050607	9.8F-01.02.04	Gasket(outlet)	密封垫(出)	1
47	01080606	9.8F-01.02.03.00	Air intake valve assy	进气阀组件	1
48	01050606	9.8F-01.02.02	Gasket(inlet)	密封垫(进)	1
49	01010603	9.8F-01.02.01	Air intake valve cover	进气阀盖	1
50	0104159	GB/T848-85	Plane washer	平垫B	2
51	01040440	GB/T5782-2000	Bolt	六角头螺栓M8*80	2
52	0104158	GB.T848-85	Plane washer	平垫6	4
53	0104022	GB/T5782-2000	Bolt	六角头螺栓M6*75	4
54	01090605	9.8F-01.04.02	Throttle rod	油门连杆	1
55	01070116	15F-01.02.07	Choke lever joint	阻风门连杆接头	1
56	01070607	9.8F-01.04.03	Throttle connection pad	油门连接块	1
57	01070608	9.8F-01.04.04	Throttle cable connecting plate	钢索连接盘	1
58	01080612	9.8F-01.04.01	Controlled bracket clamp	控制架压板	2
59	0104153	GB/T 93-1987	Spring washer	弹垫5	2
60	0104080	GB/T818-2000	Screw	十字槽盘头螺钉5*20	2
61	01070609	9.8F-01.04.05	Timing inserting arm	正时插臂	1

62	01070610	9.8F-01.04.07	Rod joint	连杆接头	1
63	01090606	9.8F-01.04.06	"L " bolt	L件螺栓	1
64	01070117	15F-01.03.12	Rod joint	连杆接头	1
65	01050630	9.8F-01.07.02	Carburetor washer	化油器垫片	1
66	01050629	9.8F-01.07.01	Carburetor assy	化油器组件	1
67	01070605	9.8F-01.02.05.00	Air intake silencer	进气消音器组件	1
68	01020607	9.8F-01.07.03	Pipe	垫管	2
69	0104158	GB/T848-85	Plane washer	平垫6	2
70	0104023	GB/T5782-2000	Bolt	六角头螺栓M6*85	2
71	01050611	9.8F*01.06.04.02	Oil seal	油封 (20*40*7)	1
72	01050612	9.8F-01.06.04.03	Oil seal	油封 (12*28*5)	2
73	01080616	9.8F-01.06.04.04	Oil seal washer	油封垫片	1
74	01050649	9.8F-01.06.03	Gasket	密封垫	1
75	01010607	9.8F-01.06.04.01	Oil seal housing	油封壳体	1
76	0104154	GB/T 93-1987	Spring washer	弹垫6	2
77	0104012	GB/T5783-86	Bolt	六角头螺栓M6*20	2
78	01030601	9.8F-01.03.01.00	CDI	点火器组件	1
79	0104023	GB/T848-85	Plane washer	平垫6	2
80	0104012	GB/T5783-2000	Bolt	六角头螺栓M6*20	1
81	01020605	9.8F-01.03.02	Cushing tube	垫管	1
82	0104017	GB/T5783-2000	Bolt	六角头螺栓M6*45	1
83	01050613	9.8F-01.06.08	Gasket(Exhaust cap)	密封垫 (排气盖)	2
84	01010609	9.8F-01.06.07	Exhaust inside cap	排气内盖	1
85	01010608	9.8F-01.06.06	Exhaust side cap	排气侧盖	1
86	0104023	GB/T848-85	Plane washer	平垫6	7
87	0104013	GB/T5783-2000	Bolt	六角头螺栓M6*25	7
88	01040311	GB/T5783-2000	Bolt	六角头螺栓M8*8	1
89	01080401	F2.5-01.01.00.04	Washer	钢垫片	1
90	01080210	F15-01.03.00.42	Air breather tube clip	通气管固定夹B	1
91	01050104	15F-01.06.14	Thermostat	节温器 52摄氏度	1
92	01050614	9.8F-01.06.10	Cylinder gasket	汽缸垫	1
93	01010610	9.8F-01.06.09.00	Cylinder cover assy.	汽缸盖组件	1
94	0104023	GB/T848-85	Plane washer	平垫6	11
95	0104014	GB/T5782-2000	Bolt	六角头螺栓M6*30	7
96	01050608	9.8F-01.03.03	Spark plug	火花塞 BPR7HS10	2

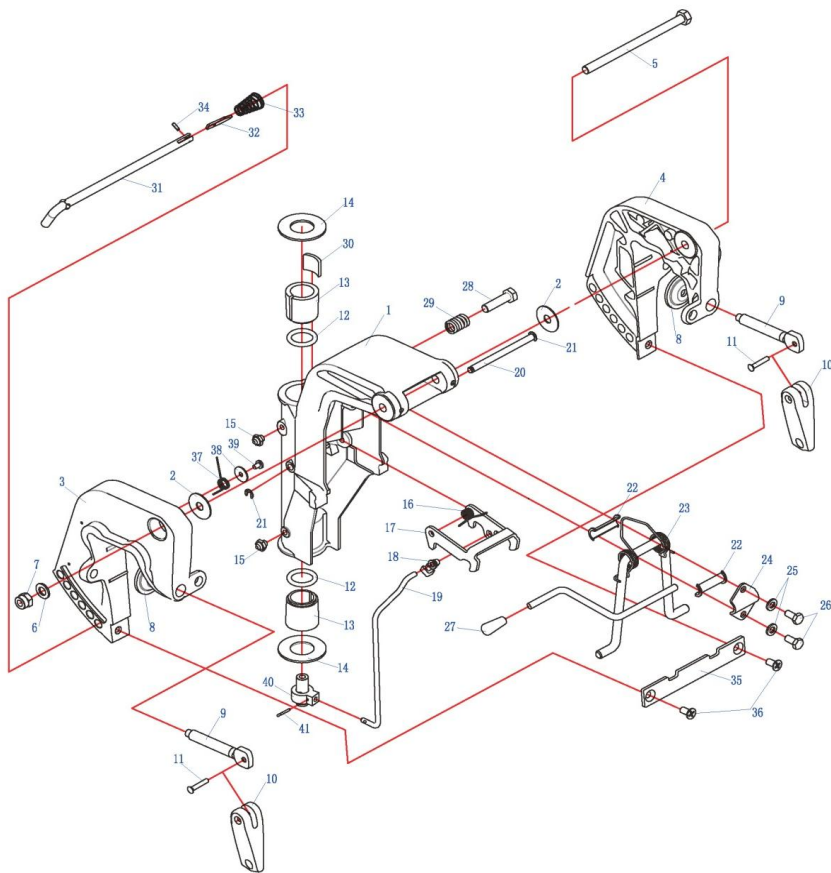


REF NO	物料代码	PART CODE	DESCRIPTION (EN)	DESCRIPTION (CN)	Q'TY
1	01050648	9.8F-01.06.20.00	Crankshaft and link assy.	曲轴连杆组件	1
2	01050625	9.8F-01.06.24	Piston pin	活塞销	1
3	01050627	9.8F-01.06.20.09	Needle bearing	液针轴承	1
4	01050626	9.8F-01.06.2 5	Piston napring	活塞卡簧	4
5	01050601	9.8F-01.06.2 1	Piston	活塞	2
6	01050602	9.8F-01.06.22	Piston ring	活塞环	2



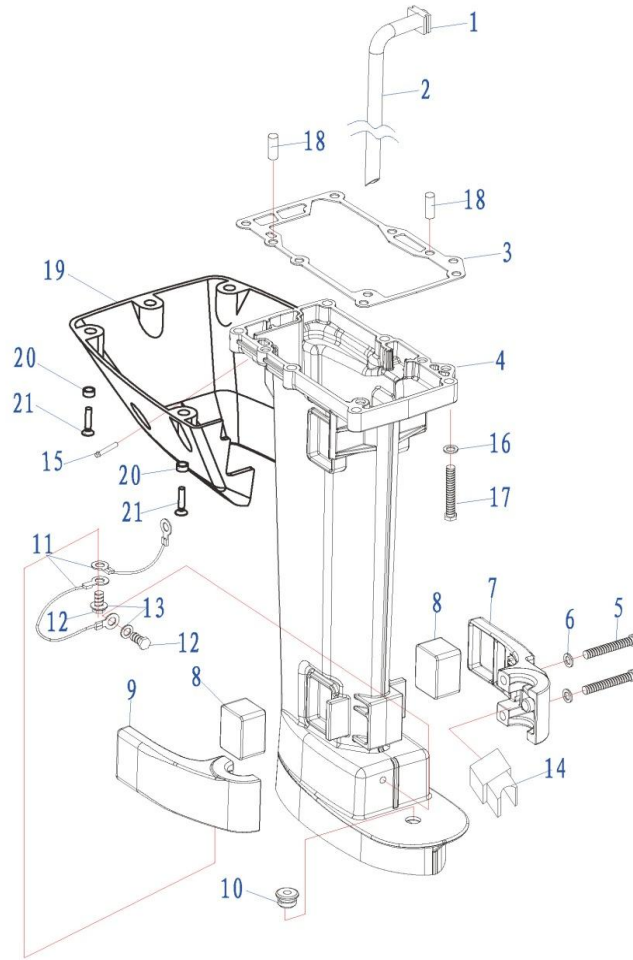
REF NO	物料代码	PART CODE	DESCRIPTION (EN)	DESCRIPTION (CN)	Q'TY
1	01070627	9.8F-01.05.03.00	Shift level assy.	变档杠杆器组件	1
2	01060626	9.8F-01.05.09	Rubber seal	橡胶密封圈	1
3	0104180	GB/T896	Circlip	开口挡圈7	1
4	01010614	9.8F-02.10	Bottom cowling	底罩	1
5	01070616	9.8F-02.11.03	Bushing	衬套	1
6	01060612	9.8F-02.11.02	Rubber ring	橡胶圈	1
7	01010615	9.8F-02.11.01	Front lock handle	前锁紧手柄	1
8	01070617	9.8F-02.11.04	Washer	垫片	1
9	01080617	9.8F-02.11.05	Wave washer	波形垫圈	1
10	01080618	9.8F-02.11.06	Lock plate	锁紧片	1
11	0104158	GB/T848-85	Plane washer	平垫6	1
12	0104154	GB/T93-1987	Spring washer	弹垫6	1
13	0104008	GB/T5783-2000	Bolt	六角头螺栓M6*12	1
14	01090607	9.8F-01.05.05	Stopper arm rod	制动器连杆	1
15	01070603	9.8F-01.01.13	Rod connector	连杆接头	1
16	01070612	9.8F-01.05.04	Rod joint	连杆连接头	1
17	01090608	9.8F-01.05.10	Upper shift lever	上变档杆	1
18	01070613	9.8F-01.05.06	Bushing	衬套	2
19	01070614	9.8F-01.05.07	Shift fixer	变档定位块	1
20	0104007	GB/T5783-2000	Bolt	六角头螺栓M6*10	1
21	0104158	GB/T848-85	Plane washer	平垫6	1
22	01080614	9.8F-01.05.02	Plate	压板	1
23	01080613	9.8F-01.05.01	Blocker plate	限位弹簧板	1

24	01060609	9.8F-02.05	Plug	闷头A	1
25	01060604	9.8F-01.07.04	Curved fuel line	折弯型油管	1
26	01090138	F4-01.06.11	Tube clip	管夹	4
27	01050333	F4-01.07.08	Fuel filter assy.	燃油滤清器组件	1
28	01060606	9.8F-01.07.07	Fuel line	油管	1
29	01100106	15F-01.07.01.00	Fuel connector assy.	燃油管插头组件	1
30	01060615	9.8F-04.14	Cable fixer	钢索固定架	1
31	01060610	9.8F-02.06	Plug	闷头B	1
32	01060608	9.8F-02.04	Choke lever sleeve	阻风门拉杆护套	1
33	01090609	9.8F-02.03.01	Choke handle	阻风门拉杆组件	1
34	01060613	9.8F-02.12	Rubber plug	底罩橡胶塞	1
35	01060611	9.8F-02.09	Sleeve	护套	1
36	01060607	9.8F-02.02	Plug	堵塞	1
37	01050633	9.8F-05.01	Gasket (exhaust)	密封垫 (排气管)	1
38	01010620	9.8F-05.02	Exhaust pipe	排气管	1
39	01060517	F9.9-01.04.00.13	Fuel connector washer	燃油管插头垫片	1
40	0104013	GB/T5783-2000	Bolt	六角头螺栓M6*25	1
41	0104158	GB/T848-85	Plane washer	平垫6	1
42	0104011	GB/T5783-2000	Bolt	六角头螺栓M6*18	4
43	0104158	GB/T848-85	Plane washer	平垫6	4

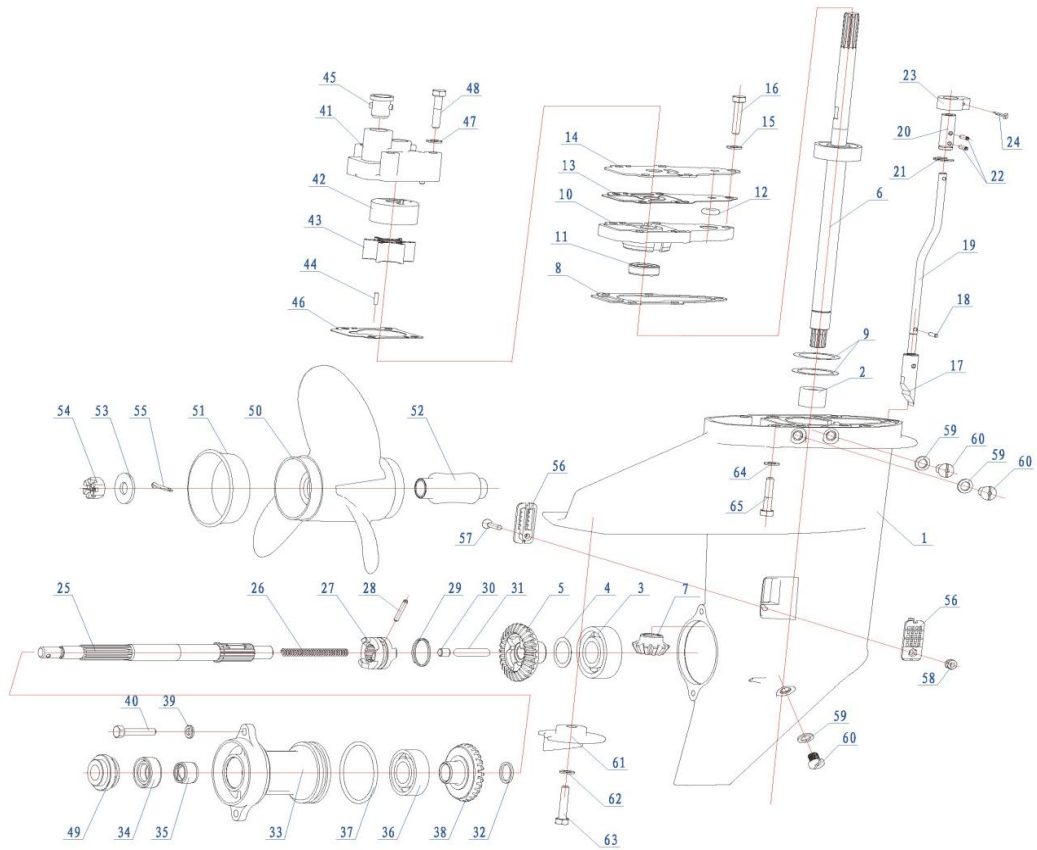


REF NO	物料代码	PART CODE	DESCRIPTION (EN)	DESCRIPTION (CN)	Q'TY
1	01010616	9.8F-03.05.01	Swivel bracket	旋转托架	1
2	01080635	9.8F-03.05.1 0	Washer	大垫片	2

3	01010617	9.8F-03.05.14.01	Clamp bracket (left)	夹紧托架 (左)	1
4	01010618	9.8F-03.05.14.02	Clamp bracket (right)	夹紧托架 (右)	1
5	01040480	GB/T5782-2000	Bolt	六角头螺栓 M8*125	1
6	0104159	GB/T95	Plane washer	平垫8	1
7	0104147	GB/T889.1-2000	Nut	非金属嵌件六角锁紧螺母M8	1
8	01080118	15F-03.05.02.03	Clamp plate	夹紧盘	2
9	01020609	9.8F-03.05.14.03	Transom clamp bolt	艉板夹紧螺杆	2
10	01070140	15F-03.05.02.04	Clamp handle	夹紧手柄	2
11	0104199	GB/T1015	Rivet	半沉头半空心铆钉4*22	2
12	01060627	9.8F-03.02	Gasket	O型密封胶垫20*4*28	2
13	01070618	9.8F-03.01	Bushing	衬套	2
14	01070619	9.8F-03.03	Washer	垫片	2
15	01100109	JB/T7940.1-95	Grease filling nipple	直通式压注油杯 M6	2
16	01090613	9.8F-03.05.08	Torsion spring	扭簧	2
17	01080621	9.8F-03.05.06	Lock hook	锁紧钩	1
18	01070603	9.8F-01.01.13	Rod joint	连杆接头	1
19	01090612	9.8F-03.05.07	Lock rod	锁紧连接杆	1
20	01020608	9.8F-03.05.05	Pin	销轴	1
21	0104178	GB/T896	Circlip	开口挡圈5	1
22	01070620	9.8F-03.05.04	Antifriction pad	减磨垫	2
23	01080634	9.8F-03.05.02.00	Tilt angle bracket	角度调整支架组件	1
24	01080620	9.8F-03.05.03	Plate	调整支架压板	1
25	0104158	GB/T848-85	Plane washer	平垫6	2
26	0104008	GB/T5783-2000	Bolt	六角头螺栓 M6*12	2
27	01060322	F4-03.05.02.02	Rubber sleeve	支架手柄橡胶套	1
28	0104037	GB/T5783-2000	Bolt	六角头螺栓 M8*30	1
29	01090614	9.8F-03.05.09	Spring	弹簧	1
30	01080619	9.8F-03.04.01	Friction plate	摩擦片	1
31	01080622	9.8F-03.05.11.01	Latch	插销	1
32		9.8F-03.05.11.02	Spacer	限位片	1
33		9.8F-03.05.11.03	Spring	塔形弹簧	1
34		GB/T879.2-2000	Spring cylindrical pin	弹性圆柱销3*8	1
35	01080623	9.8F-03.05.12	Connecting plate	夹紧托架连接板	1
36	01041120	GB/T819.1-2000	Screw	十字槽沉头螺钉M6*12	1
37	01090617	9.8F-03.05.13	Torsion spring	扭簧	2
38	01080624	9.8F-03.05.14	Large washer	大垫圈	1
39	0104072	GB/T818-2000	Screw	十字槽盘头螺钉M4*6	1
40	01070621	9.8F-06.02	Plastic sleeve	塑料滑套	1
41	0104186	GB/T91-2000	Cotter pin	开口销	1

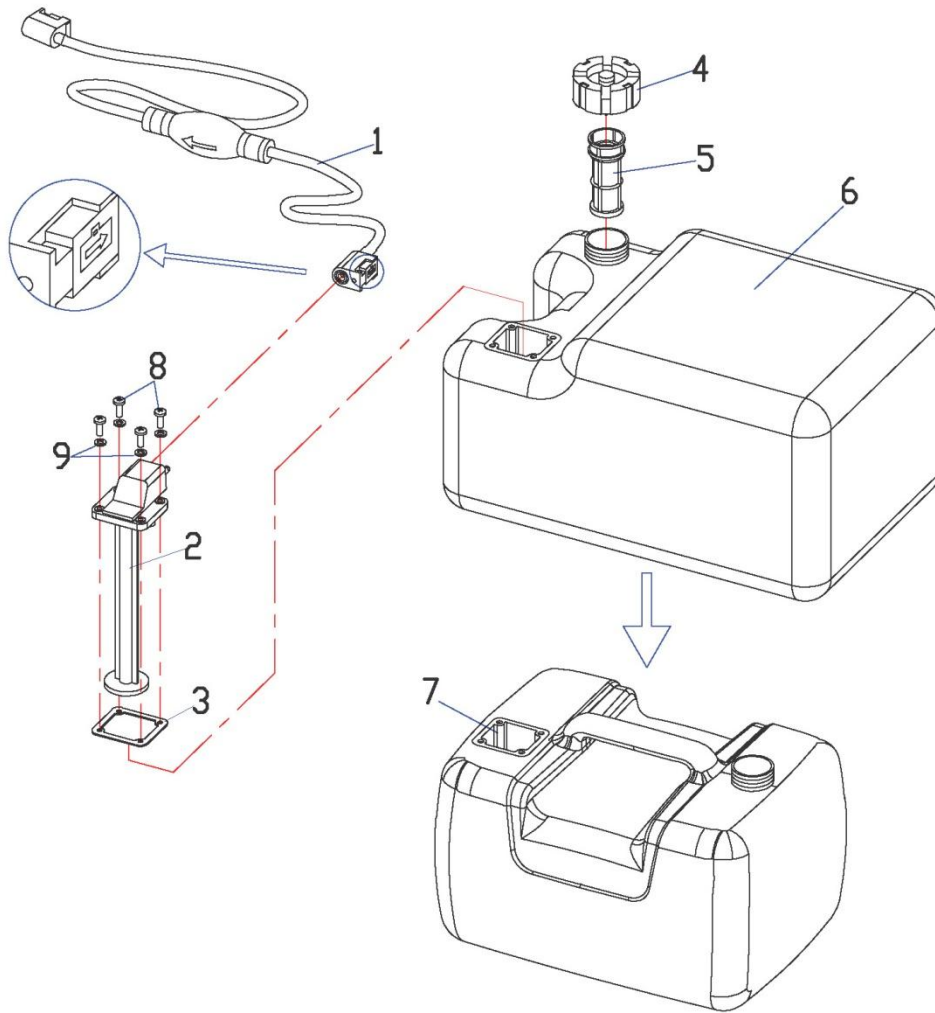


REF NO	物料代码	PART CODE	DESCRIPTION (EN)	DESCRIPTION (CN)	Q'TY
1	01060620	9.8F-05.01	Water pipe sealing ring	水管密封圈	1
2	01100605	9.8F-05.10	Water pipe	水管	1
3	01050632	9.8F-0 2.0 8	Gasket	密封垫	1
4	01010623	9.8F-05.12	Waterborne parts	水上装置	1
5	0104016	GB/T5783-2000	Bolt	六角头螺栓 M6*40	2
6	0104158	GB/T848-85	Plane washer	平垫6	2
7	01010622	9.8F-05.04	Damper B	减震块外壳B	1
8	01060616	9.8F-05.05	Damper A	减震块A	2
9	01010621	9.8F-05.03	Damper housing A	减震块外壳A	1
10	01060621	9.8F-05.13	Shift Cam lever sealing ring	变档凸轮杆密封圈	1
11	01100604	9.8F-05.07	Cable connector	钢索连接线	1
12	0104008	GB/T5783-2000	Bolt	六角头螺栓 M6*12	1
13	0104158	GB/T848-85	Plane washer	平垫6	2
14	01060617	9.8F-05.06	Damper B	减震块B	1
15	01070615	9.8F-01.08.00.00	Decoration cover	装饰罩	1
16	0104009	GB/T5783-2000	Bolt	六角头螺栓 M6*15	5



REF NO	物料代码	PART CODE	DESCRIPTION (EN)	DESCRIPTION (CN)	Q'TY
1	01010601	9.8F-06.31	Lower casing	水下壳体	1
2	01050645	9.8F-06.3 0	Needle Bearing	滚针轴承	1
3	01050643	9.8F-06. 2 8	Ball bearing	深沟球轴承	1
4	01080518	F9.9-06.02.00.02	Forward gear washer	正档齿轮调整片	1
5	01050642	9.8F-06.27	Forward gear	正档齿轮	1
6	01050638	9.8F-06.23.00	Drive shaft	驱动轴组件	1
7	01050644	9.8F-06.29	Pignion gear	小齿轮	1
8	01050636	9.8F-06.20	Gasket	密封垫	1
9	01080637	9.8F-06.22	Shim	填隙片	2
10	01010627	9.8F-06.19	Water pump seat	水泵座	1
11	01050637	9.8F-06.21	Oil seal	双唇口油封	1
12	01060135	15F-06.03.03	Shift lever O ring	变档杆O型圈	1
13	01010626	9.8F-06.08	Trim tab	航向调整片	1
13	01050635	9.8F-06.14	Gasket	密封垫	1
14	01070622	9.8F-06.07	Water inlet cap	进水口盖	2
14	01080627	9.8F-06.13	Water pump outer plate	水泵垫板	1
15	0104158	GB/T848	Plane washer	平垫6	1
16	0104013	GB/T5783	Bolt	六角头螺栓M6*25	1
17	01090621	9.8F-06.24.02	Shift cam	变档凸轮	1
19	01090618	9.8F-06.24.01	Shift cam lever	变档凸轮杆	1
18	0104015	GB/T5782	Bolt	六角头螺栓M6*35	4
18	0104194	GB/T879.2	Spring cylindrical pin	弹性圆柱销3*10	1
20	01020610	9.8F-06.01	Connecting shaft	连接轴	1
21	0104183	GB/T896	Circlip	开口挡圈10	1
22	0104194	GB/T874.2	Spring cylindrical pin	弹性圆柱销3*10	2

23	01070621	9.8F-06.02	Plastic bushing	塑料衬套	1
24	0104187	GB/T91	Cotter pin	开口销1.8*26	1
25	01050603	9.8F-06.26.02	Propeller shaft	螺旋桨轴	1
26	01090619	9.8F-06.26.05	Tension spring	压缩弹簧	1
27	01050604	9.8F-06.26.03	Dog clutch	离合器	1
28	01020506	F9.9-06.00.00.19	Pin	销	1
29	01090508	F9.9-06.00.00.20	Grommet	环簧	1
30	01080139	15F-06.01.04	Plug washer	螺塞密封垫	3
30	01020615	9.8F-06.26.07	Adjustment plunger	调整柱塞	1
31	01020614	9.8F-06.26.06	Shift plunger	变档柱塞	1
32	01080629	9.8F-06.26.01	Washer	垫圈	1
33	01010628	9.8F-06.25.01	Lower casing cover	水下壳体盖	1
34	01050641	9.8F-06.25.06	Oil seal	双唇口油封	1
35	01050540	F9.9-06.02.00.03	Oil Bearing	含油轴承	1
36	01050640	9.8F-06.25.04	Ball bearing	深沟球轴承	1
37	01060536	F9.9-06.02.00.05	O ring(small)	O型圈(小)	1
38	01050639	9.8F-06.25.03	Reverse gear	倒档齿轮	1
39	0104158	GB/T848	Plane washer	平垫6	2
40	0104012	GB/T5783	Bolt	六角头螺栓M6*20	2
41	01070623	9.8F-06.09.01	Water pump housing	水泵壳体	1
42	0104012	GB/T5783	Bolt	六角头螺栓M6*20	1
42	01080626	9.8F-06.09.02	Water pump insert cartridge	水泵内壳	1
43	01060630	9.8F-06.10.00	Water pump impeller	水泵叶轮组件	1
44	01020613	9.8F-06.12	Water pump impeller pin	水泵叶轮销	1
45	01060622	9.8F-06.15	Water pipe lower seal ring	水管下密封圈	1
46	01050634	9.8F-06.11	Gasket	密封垫	4
47	0104158	GB/T848	Plane washer	平垫6	4
48	01040170	GB/T5782	Bolt	六角头螺栓M6*50	1
49	0104158	GB/T848	Plane washer	平垫6	1
49	01020611	9.8F-06.03	Propeller block	螺旋桨垫块	1
50	0104158	GB/T848	Plane washer	平垫6	4
50	01010624	9.8F-06.06.01	Propeller	螺旋桨	1
51	01010625	9.8F-06.06.02	Propeller mouth	喇叭口	1
52	01060625	9.8F-06.06.03.00	Propeller shaft teeth	内花键组件	1
53	01080635	9.8F-03.05.10	Washer	大垫片	1
54	01020134	15F-06.14.06	Nut	开槽六角螺母	1
55	0104189	15F-06.14.07	Cotter pin	开口销	1
56	01070622	9.8F-06.07	Water inlet cap	进水口盖	2
57	01040749	GB/T822	Screw	十字槽盘头螺钉4*30	1
58	0104144	GB/T889.1	Bolt	六角尼龙锁紧螺母M4	1
59	01080139	15F-06.01.04	Plug washer	螺塞密封垫	3
60	01020128	15F-06.01.03	Oil filling plug	注油口螺塞	3
61	01010626	9.8F-06.08	Trim tab	航向调整片	1
62	0104158	GB/T848	Plane washer	平垫6	1
63	0104012	GB/T5783	Bolt	六角头螺栓M6*20	1
64	0104158	GB/T848	Plane washer	平垫6	1
65	0104015	GB/T5782	Bolt	六角头螺栓M6*35	1



REF NO	物料代码	PART CODE	DESCRIPTION (EN)	DESCRIPTION (CN)	Q'TY
1		15F-08.01.06.00	Squeezing bulb & fuel line assy.	燃油管单向阀组件	1
2		15F-08.01.05.00	Fuel gauge assy.	油量表座组件	1
3		15F-08.01.04	Gasket	油量表垫	1
4		15F-08.01.03.00	Fuel tank cap assy.	燃油箱箱盖组件	1
5		15F-08.01.02	Fuel filter	滤油网	1
6		15F-08.01.01	Fuel tank casing (24L)	燃油箱箱体 2 4 升	1
7		F15-08.00.00.01	Fuel tank casing (12L)	燃油箱箱体 1 2 升	1
8		GB/T818	Screw	十字槽盘头螺钉M5*16	4
9		GB/T848	Plane washer	平垫 5	4