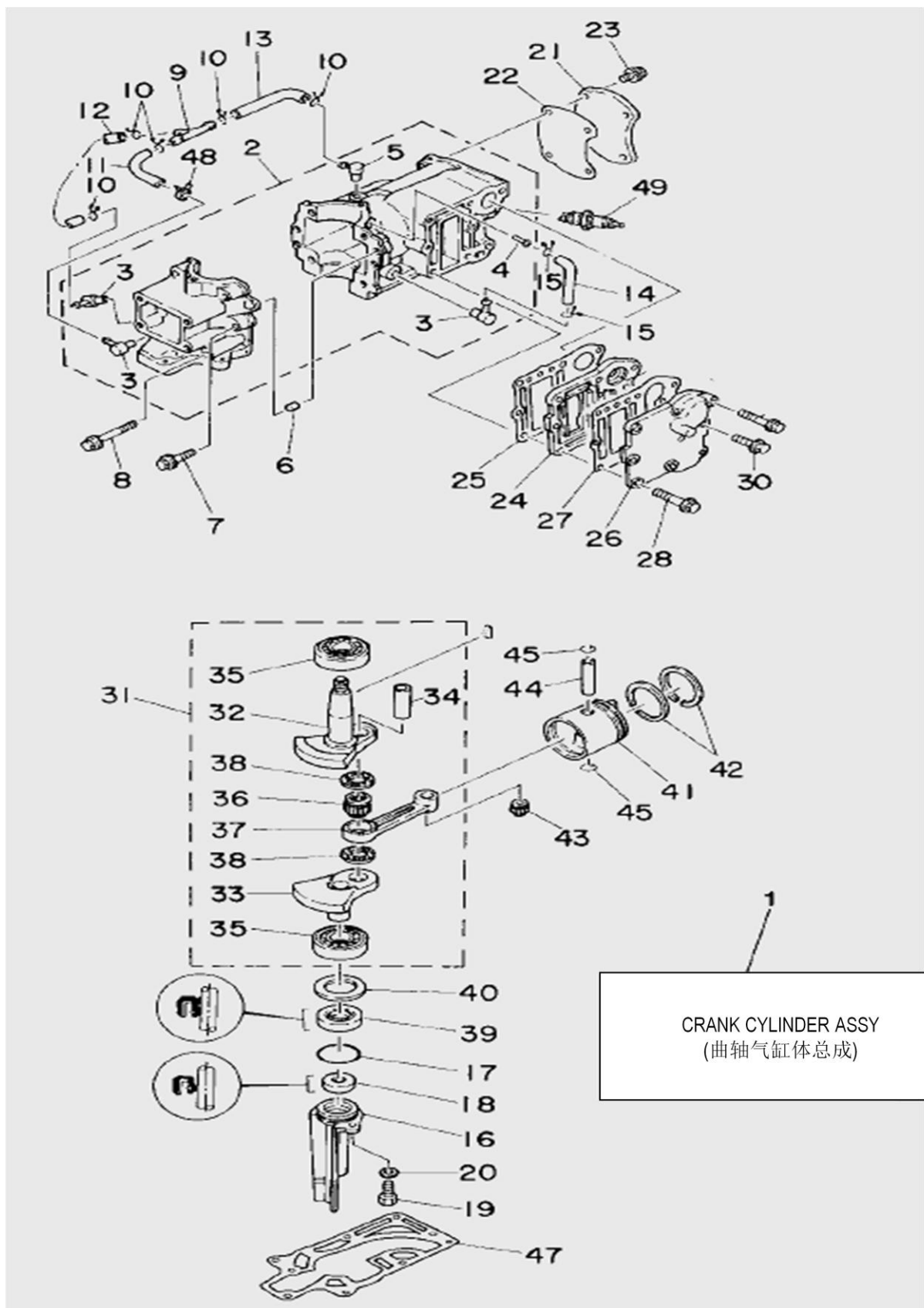
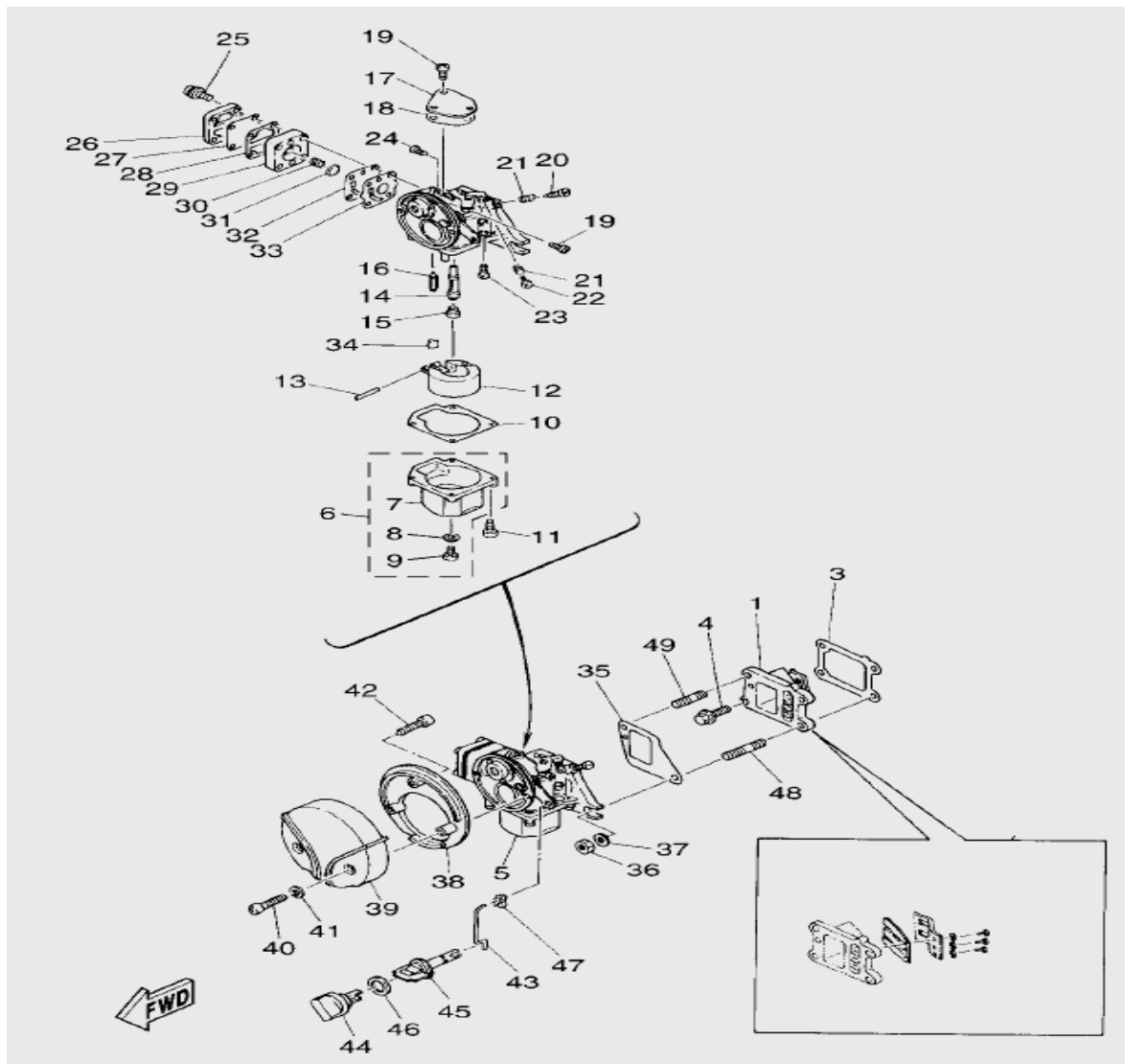


1	<b>5MHS-01001</b>	6E3-42610-40-4D	TOP COWLING ASSY 5 PTO	1
1			TOP COWLING ASSY 6 PTO	1
1			TOP COWLING ASSY 5.5 TIT	1
2	<b>5MHS-01002</b>	6E0-42615-00	SEAL	1
3	<b>15FMH-01005</b>	6E0-42647-01	HOLDER, CLAMP BAND	1
4	<b>15FMH-01003</b>	6E0-42651-02	HOOK	1
5	<b>15FMH-01004-1</b>	90266-04M00	RIVET	4
6	<b>5MHS-01006</b>	6E0-W0070-14	GRAPHIC, SIDES	1
7	<b>5MHS-01007</b>	6E3-42677-20	GRAPHIC, FRONT	1
8	<b>5MHS-01008</b>	6E3-42678-12	GRAPHIC, REAR	1
9	<b>15FMH-11030</b>	6E0-44191-11	INDICATOR, SHIFT	1
12	<b>5MHS-01012</b>		TOP COWLING CASTING	1
*			GRAPHIC SET 5 PTO	1
*			GRAPHIC SET 6 PTO	1
*			GRAPHIC SET 5.5 TIT	1

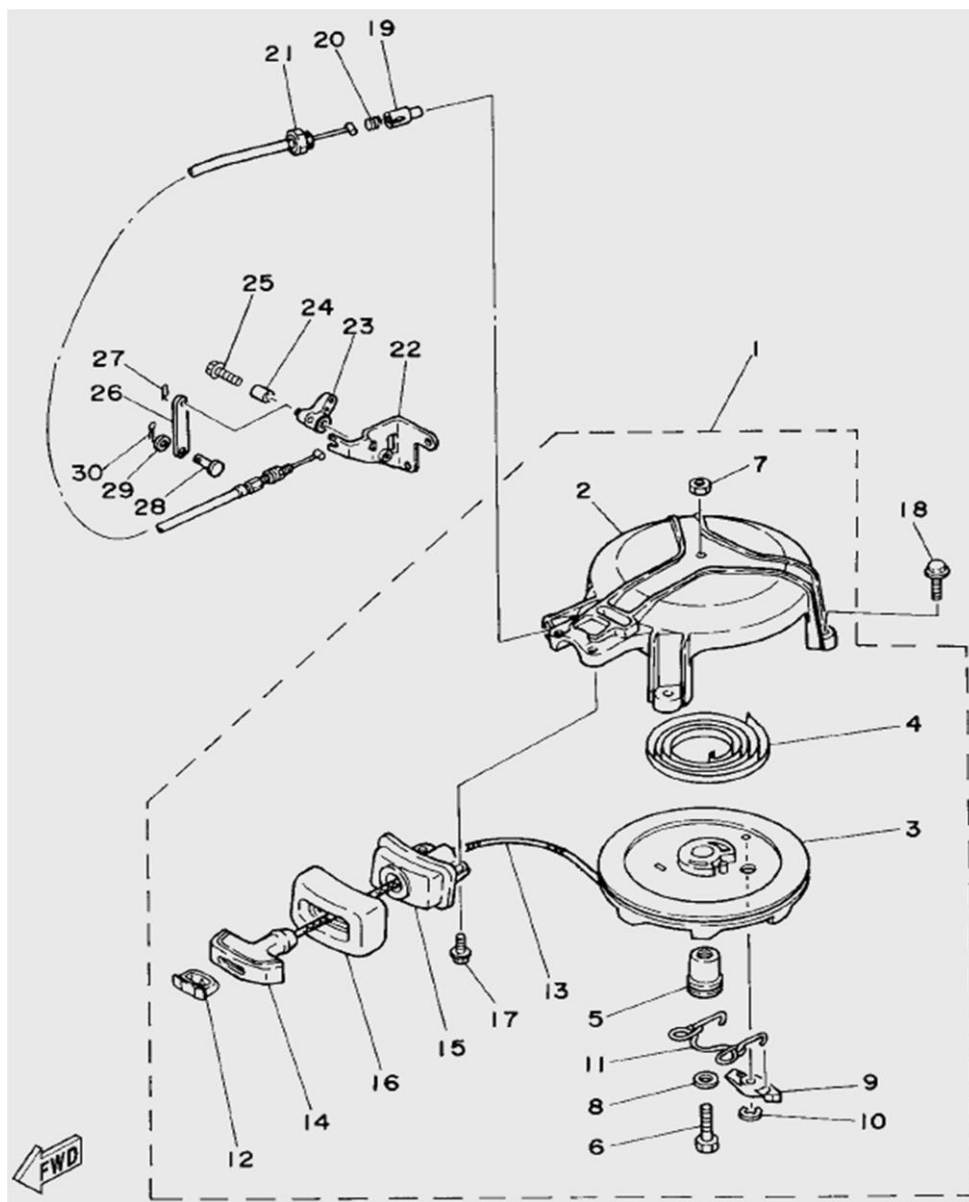


1	5MHS-02001	6E3-W0090-04-1S	CRANK CYLINDER ASSY	1
2	5MHS-02002	6E3-15100-02-1S	CRANKCASE ASSY	1
3	PNFM40E-04004	650-11370-01	CHECK VALVE ASSY	3
4	15FMH-02004	624-14485-00	PIPE, JOINT	1
5	PNFM40E-02003	6E5-11372-01	NIPPLE, HOSE	1
6	15FMH-02011	93606-12019	PIN, DOWEL	2
7	5MHS-02007	90105-06M16	BOLT, FLANGE	4
8	5MHS-02008	90105-06M17	BOLT, FLANGE	2

9	<b>5MHS-02009</b>	6E0-24378-00	PIPE, JOINT 4	1
10	<b>15FMH-02008</b>	90467-06016	CLIP	5
11	<b>5MHS-02011</b>	90445-07M00	HOSE (L100)	1
12	<b>5MHS-02012</b>	90445-07M28	HOSE (L70)	1
13	<b>5MHS-02013</b>	90445-07M32	HOSE (L120)	1
14	<b>5MHS-02014</b>	90445-07M28	HOSE (L70)	1
15	<b>15FMH-02008</b>	90467-06016	CLIP	2
16	<b>5MHS-02016</b>	6E0-15396-03-5B	HOUSING, OIL SEAL	1
17	<b>5MHS-02017</b>	93210-31MJ5	O-RING	1
18	<b>5MHS-02018</b>	93101-10M25	OIL SEAL 10.8*21*7	1
19	<b>15FMH-01008</b>	97095-06016	BOLT, WITH WASHER	1
20	<b>5MHS-02020</b>	92995-06600	WASHER	1
21	<b>5MHS-02021</b>	6E3-11191-01-1S	COVER, CYLINDER HEAD 1	1
22	<b>5MHS-02022</b>	6E3-11193-A1	GASKET, HEAD COVER 1	1
23	<b>5MHS-02023</b>	90105-06039	BOLT, FLANGE	4
24	<b>5MHS-02024</b>	6E3-41111-01-1S	INNER COVER, EXHAUST	1
25	<b>5MHS-02025</b>	6E3-41112-A1	GASKET, EXHAUST INNER COVER	1
26	<b>5MHS-02026</b>	6E3-41113-01-1S	OUTER COVER, EXHAUST	1
27	<b>5MHS-02027</b>	6E3-41114-A1	GASKET, EXHAUST OUTER COVER	1
28	<b>5MHS-02028</b>	90105-06037	BOLT, FLANGE	8
30	<b>5MHS-02023</b>	90105-06039	BOLT, FLANGE	1
31	<b>5MHS-02031</b>	6E3-11400-00	CRANKSHAFT ASSY	1
39	<b>5MHS-02039</b>	93101-20M29	OIL SEAL 20*36*7	1
40	<b>5MHS-02040</b>	90201-32M48	WASHER, PLATE	1
41	<b>5MHS-02041</b>	6E3-11631-00-98	PISTON (STD)	1
42	<b>5MHS-02042</b>	6J1-11610-00	PISTON RING SET (STD)	1
43	<b>5MHS-02043</b>	93310-112V0	BEARING	1
44	<b>5MHS-02044</b>	6G1-11633-00	PIN, PISTON	1
45	<b>5MHS-02045</b>	93450-13022	CIRCLIP	2
47	<b>5MHS-02047</b>	6E0-45113-A1	GASKET, UPPER CASING	1
48	<b>15FMH-02008</b>	90468-07M02	CLIP	1
49	<b>PNFM40E-02036</b>	94702-00040	PLUG, SPARK (NGK B7HS)	1

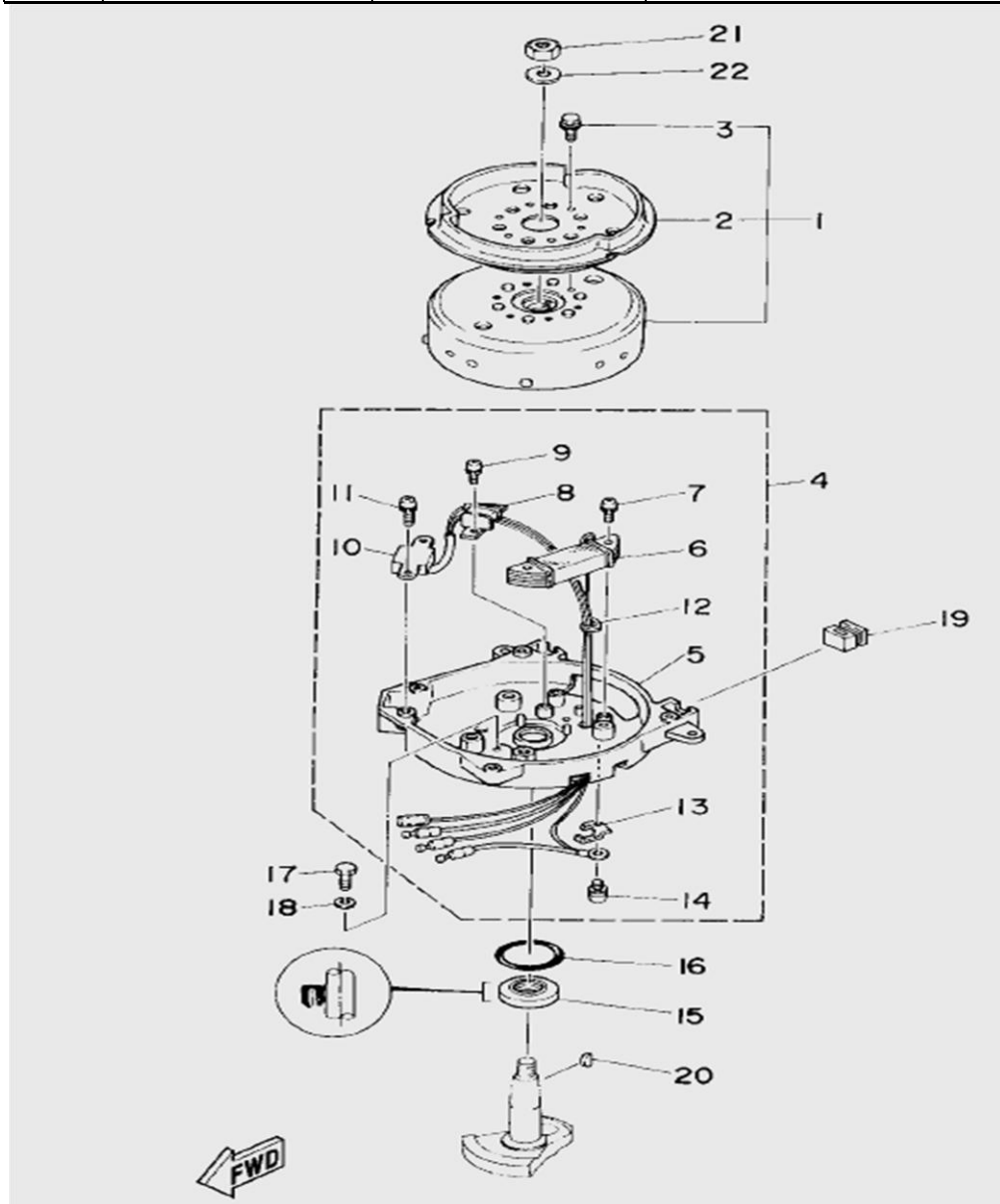


1	5MHS-03001	6J1-13610-00	REED VALVE ASSY	1
3	5MHS-03003	6E0-13621-A2	GASKET, VALVE SEAT	1
4	5MHS-02023	95895-06016	BOLT, FLANGE	2
5	5MHS-03005	6E3-14301-05	CARBURETOR ASSY 1	1
35	5MHS-03035	6E0-14198-A0	GASKET	1
36	15FMH-12033	95380-06700	NUT	2
37	5MHS-02020	92995-06600	WASHER	2
38	5MHS-03038	6E0-14417-00	COVER 1	1
39	5MHS-03039	6E0-14418-00	COVER 2	1
40	5MHS-03040	97880-05025	SCREW, PAN HEAD	2
41	5MHS-03041	92990-05600	WASHER, PLATE	2
42	5MHS-03042	97780-40720	SCREW, TAPPING	1
43	5MHS-03043	6E0-41256-00	ROD, CHOKE 1	1
44	5MHS-03044	6E0-41271-00	KNOB, CHOKE	1
45	5MHS-03045	6E0-41272-00	KNOB, CHOKE	1
46	5MHS-03046	90202-12M16	WASHER, PLATE	1
47	15FMH-12040	661-41262-02	JOINT, CHOKE LEVER	1
48	5MHS-03048	95627-06325	BOLT, STUD	1
49	5MHS-03049	90116-06M08	BOLT, STUD	1



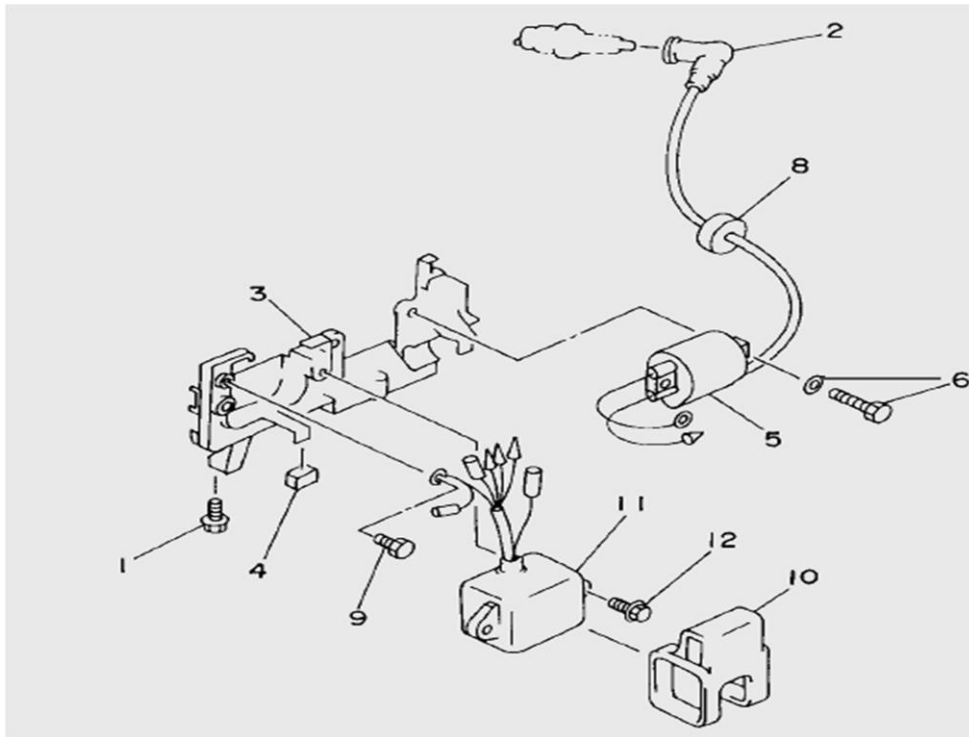
1	5MHS-04001	6E4-15710-73-94	STARTER ASSY	1
2	5MHS-04002	6E4-15711-71-94	CASE, STARTER	1
3	5MHS-04003	6E0-15714-01	DRUM, SHEAVE	1
4	5MHS-04004	90510-08M03	SPRING, SPIRAL	1
5	5MHS-04005	6E0-15717-00	SHAFT, STARTER	1
6	15FMH-08009	97313-06035	BOLT	1
7	15FMH-10014	95303-06600	NUT	1
9	5MHS-04009	677-15741-01	PAWL, DRIVE	1
10	5MHS-11038	93430-06M02	CIRCLIP	1
11	5MHS-04011	6E0-15705-00	SPRING, DRIVE PAWL	2
12	15FMH-07020	6G1-15779-00	COVER	1
13	5MHS-04013	*	WIRE, STARTER (L:1850mm)	1
14	15FMH-07018	6G1-15755-00	HANDLE, STARTER	1
15	5MHS-04015	6E3-15758-01	GUIDE, ROPE	1
16	5MHS-04016	6E0-15761-00	SEAL, RUBBER 1	1
17	5MHS-02023	90105-06M14	BOLT FLANGE	2
18	15FMH-14004	95895-06020	BOLT, FLANGE	3
19	5MHS-04019	656-15748-00	PLUNGER, STARTER STOP	1
20	5MHS-04020	90501-10227	SPRING, COMPRESSION	1

21	5MHS-04021	6E4-15770-70	CABLE COMP., STARTER STOP	1
22	5MHS-04022	6E4-15772-71	STAY 2	1
23	5MHS-04023	6E4-15746-70	ARM	1
24	5MHS-04024	90387-06504	COLLAR	1
25	5MHS-04025	90119-06M18	BOLT, WITH WASHER	1
26	5MHS-04026	6E4-15747-70	LINK	1
27	15FMH-12013	90468-10005	CLIP	1
28	5MHS-04028	91790-05010	PIN, CLEVIS	1
29	5MHS-04029	90202-05088	WASHER, PLATE	1
30	15FMH-11012	91490-16010	PIN, COTTER	1

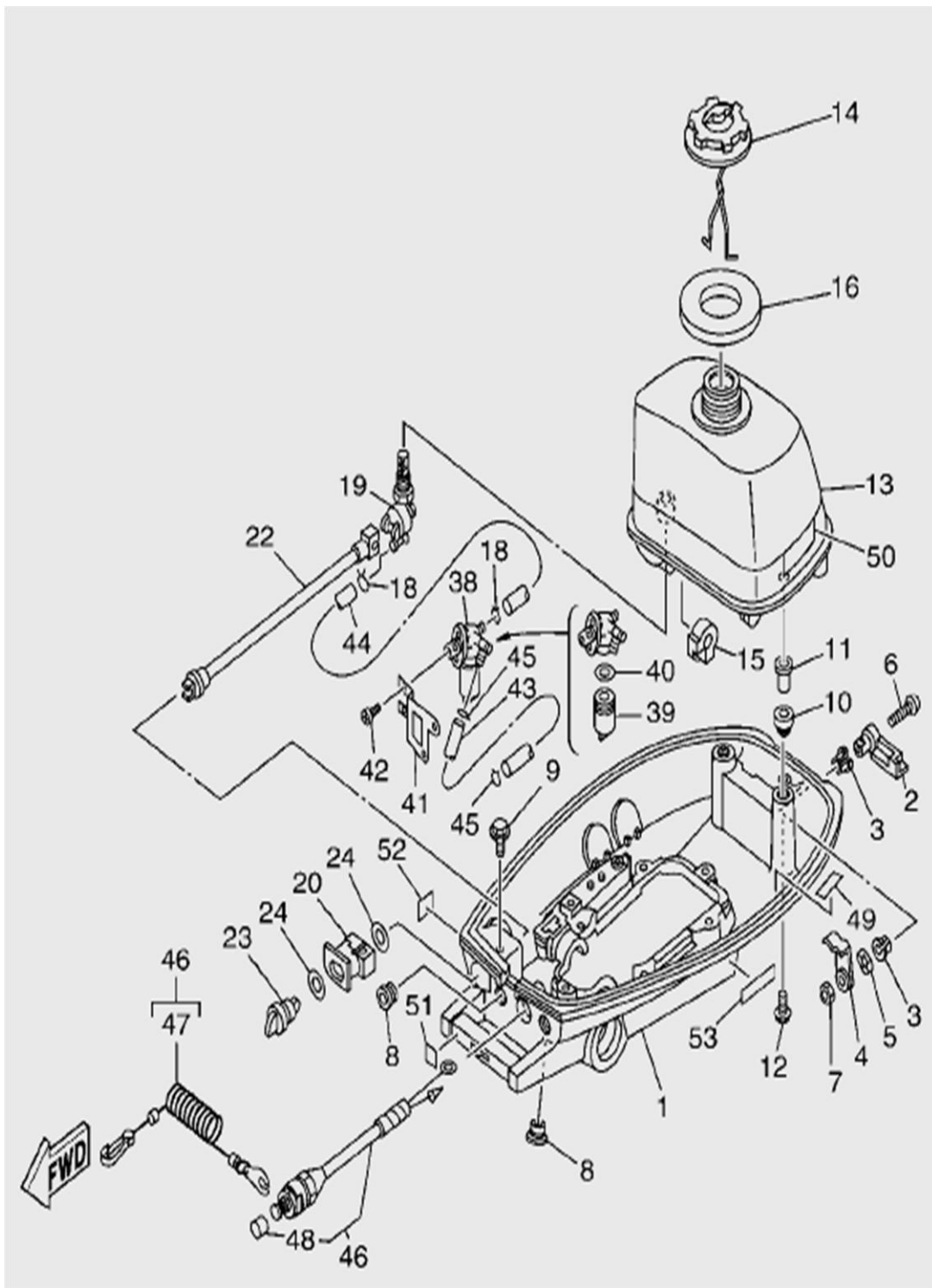


1	5MHS-05001	6E0-85550-71	ROTOR ASSY	1
2	5MHS-05002	6E0-15723-00-94	PULLEY, STARTER	1
3	5MHS-02023	90105-06M14	BOLT FLANGE	3
4	5MHS-05004	6E0-85560-71	BASE ASSY	1
5	5MHS-05005	6E0-15359-01-94	HOUSING, OIL SEAL	1
6	5MHS-05006	6E0-85520-70	COIL, CHARGE	1
7	5MHS-05007	90159-05038	SCREW, WITH WASHER	2
8	5MHS-05008	6E0-85595-70	COIL, PULSER	1
9	5MHS-05009	90159-04036	SCREW, WITH WASHER	2

10	<b>5MHS-05010</b>	6E0-85592-70	PULSER COIL ASSY	1
11	<b>5MHS-05011</b>	90159-05037	SCREW, WITH WASHER	2
12	<b>5MHS-05012</b>	6E0-81336-70	GROMMET	1
13	<b>3MHS-08007</b>	6E0-81328-70	CLAMP	1
14	<b>5MHS-05014</b>	90159-04035	SCREW, WITH WASHER	1
15	<b>5MHS-05015</b>	93102-20M25	OIL SEAL 20*36*7	1
16	<b>5MHS-05016</b>	93210-42159	O-RING	1
17	<b>5MHS-05017</b>	97095-06016	BOLT	2
18	<b>5MHS-05018</b>	92995-06100	WASHER, SPRING	2
19	<b>5MHS-05019</b>	6E0-24183-00	DAMPER, LOCATING 3	2
20	<b>5MHS-05020</b>	90280-04M06	KEY, WOODRUFF	1
21	<b>5MHS-05021</b>	90170-10113	NUT	1
22	<b>5MHS-05022</b>	90201-10126	WASHER, PLATE	1



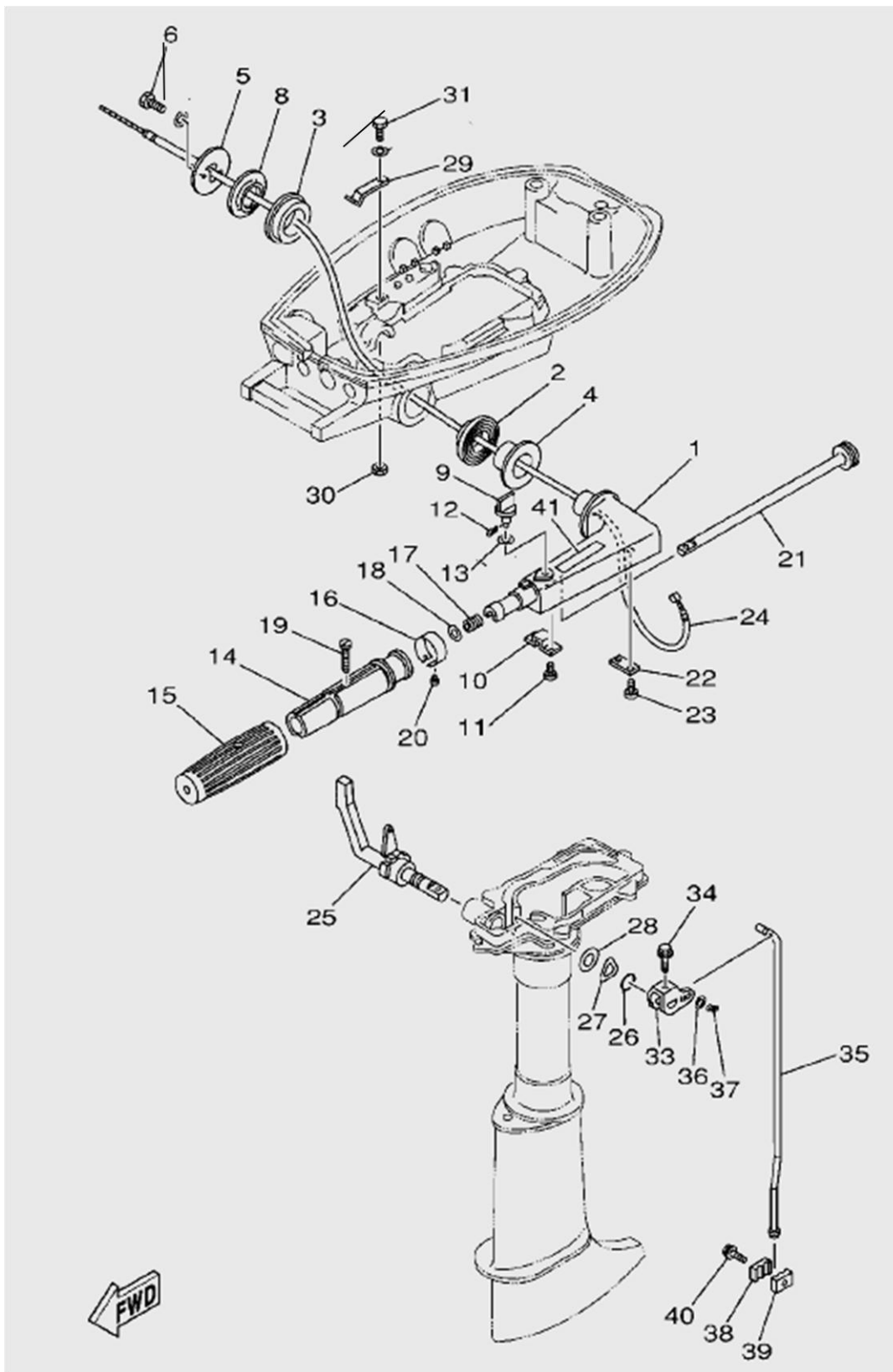
1	<b>5MHS-02023</b>	95895-06016	BOLT, FLANGE	2
2	<b>5MHS-06002</b>	663-82370-01	PLUG CAP ASSY	1
3	<b>5MHS-06003</b>	6E0-82316-01-94	BRACKET, IGNITION COIL	1
4	<b>5MHS-06004</b>	6E0-82317-00	DAMPER, IGNITION COIL	2
5	<b>5MHS-06005</b>	6E0-85570-00	IGNITION COIL ASSY	1
6	<b>15FMH-01008</b>	97095-06016	BOLT	2
8	<b>5MHS-06008</b>	90480-25161	GROMMET	1
9	<b>15FMH-06018</b>	97080-06010	BOLT	1
10	<b>5MHS-06010</b>	6E0-85548-00	HOLDER	1
11	<b>5MHS-06011</b>	6E0-85540-71	C.D.I. UNIT ASSY	1
12	<b>15FMH-14004</b>	95895-06020	BOLT, FLANGE	2



1	<b>5MHS-07001</b>	6E0-42711-05-4D	COWLING, BOTTOM 1	1
2	<b>5MHS-07002</b>	6E0-42815-00-4D	LEVER, CLAMP	1
3	<b>5MHS-07003</b>	90386-12069	BUSH	2
4	<b>5MHS-07004</b>	6E0-42816-00	LEVER, CLAMP	1
5	<b>15FMH-10011</b>	90206-12052	WASHER, WAVE	1
6	<b>15FMH-12006</b>	97885-06030	SCREW, PAN HEAD	1
7	<b>15FMH-10014</b>	95380-06700	NUT	1
8	<b>5MHS-07008</b>	90480-14M14	GROMMET	2
9	<b>15FMH-14004</b>	95895-06020	BOLT, FLANGE	1
10	<b>5MHS-07010</b>	6E3-24182-00	DAMPER, LOCATING 2	2
11	<b>5MHS-07011</b>	6E0-42542-00	PIPE	2
12	<b>5MHS-02028</b>	95895-06025	BOLT, FLANGE	2

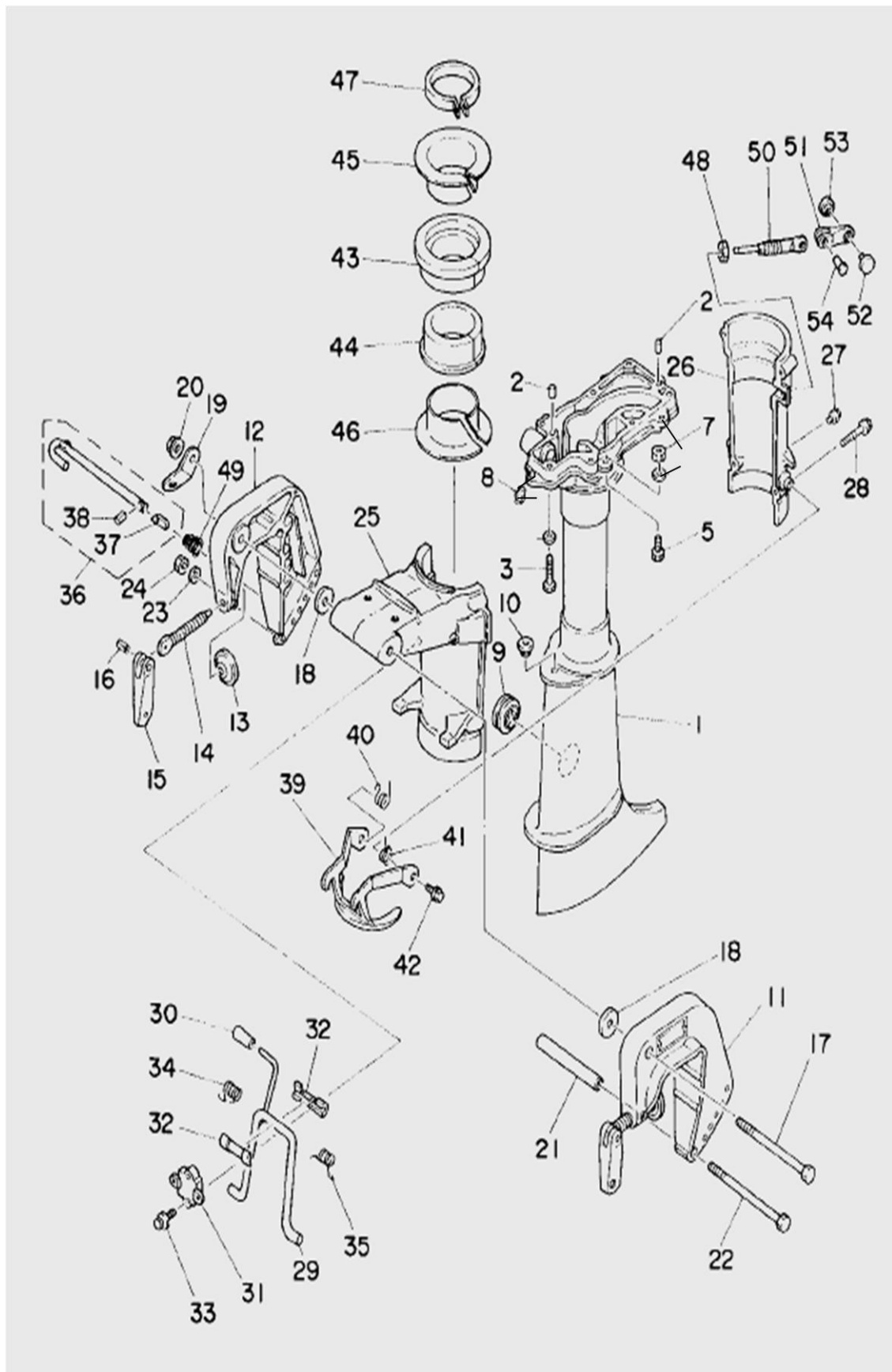


13	<b>5MHS-07013</b>	6E0-24110-01-4D	FUEL TANK COMP	1
14	<b>5MHS-07014</b>	6E0-24610-02	CAP ASSY	1
15	<b>5MHS-07015</b>	6E0-24181-00	DAMPER, LOCATING 1	2
16	<b>5MHS-07016</b>	6E3-24641-00	GASKET, CAP 1	1
18	<b>15FMH-06016</b>	90467-08004	CLIP	2
19	<b>5MHS-07019</b>	6E0-24500-01	FUEL COCK ASSY 1	1
20	<b>5MHS-07020</b>	6E0-24571-00	BUSHING	1
22	<b>5MHS-07022</b>	6E0-24572-00	SHAFT, FUEL CHANGE	1
23	<b>5MHS-07023</b>	6E0-24575-01	LEVER, FUEL CHANGE	1
24	<b>5MHS-07024</b>	90202-12M17	WASHER, PLATE	2
38	<b>5MHS-07038</b>	6E0-24500-60	FUEL COCK ASSY 1	1
39	<b>5MHS-07039</b>	624-24521-01	CUP, FILTER	1
40	<b>5MHS-07040</b>	102-24522-01	GASKET	1
41	<b>5MHS-07041</b>	6E3-24566-61	BRACKET, FILTER	1
42	<b>5MHS-07042</b>	97885-04010	SCREW, PAN HEAD	2
43	<b>5MHS-07043</b>	90445-09072	HOSE (L120)	1
44	<b>5MHS-07044</b>	90445-09082	HOSE (L150)	1
45	<b>15FMH-06016</b>	90467-08004	CLIP	2
46	<b>5MHS-07046</b>	6E0-82575-00	ENGINE STOP SWITCH ASSY	1
47	<b>15FMH-11035</b>	682-82556-00	LANYARD, STOP SWITCH	1
48	<b>15FMH-11036</b>	689-8257Y-00	CAP	1
49	<b>5MHS-07049</b>	664-42791-00	MARK 1	1
50	<b>15FMH-07028</b>	6A1-83625-41	MARK 5	1
*	<b>15FMH-06001</b>	6G1-24304-02	FUEL PIPE JOINT COMP. 1	1



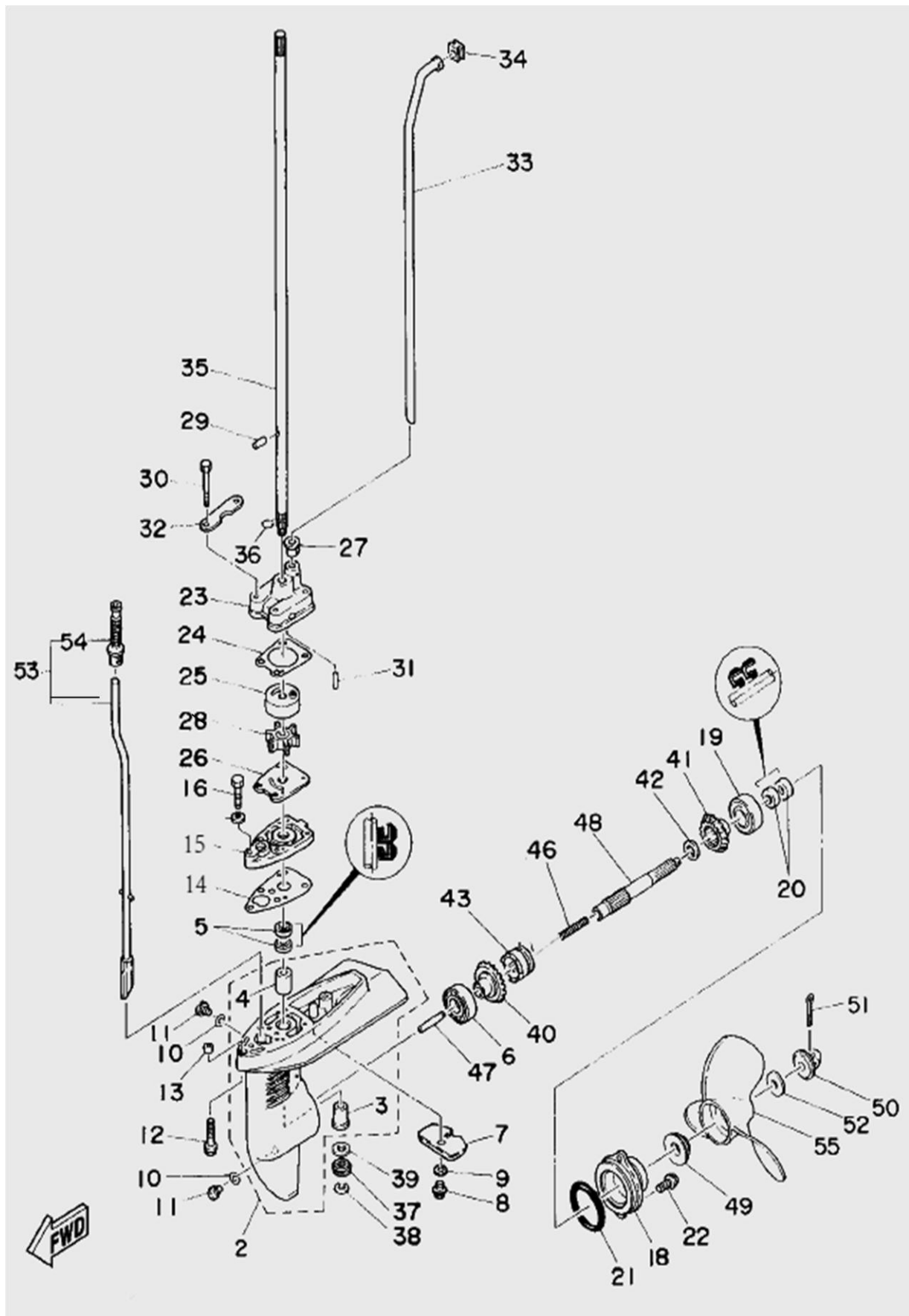
1	5MHS-09001	6E0-42111-02-4D	HANDLE, STEERING	1
2	5MHS-09002	6E0-42129-02	BUSHING, RUBBER	1
3	5MHS-09003	6E4-42129-00	BUSHING, RUBBER	1
4	5MHS-09004	90386-26M30	BUSH	1
5	5MHS-09005	6E0-42131-02-94	COVER, HANDLE STEERING	1
6	5MHS-09006	97013-05020	BOLT	2
8	5MHS-09008	90386-26M33	BUSH	1
9	5MHS-09009	6E0-42125-00	BOLT, FRICTION ADJUSTING	1
10	5MHS-09010	6E0-42134-02	COVER, THROTTLE LEVER	1

11	<b>5MHS-09011</b>	97885-05012	SCREW, PAN HEAD	2
12	<b>5MHS-09012</b>	91490-12010	PIN, COTTER	1
13	<b>5MHS-09013</b>	90202-07M22	WASHER, PLATE	1
14	<b>5MHS-09014</b>	6E0-42119-00	GRIP, STEERING HANDLE	1
15	<b>5MHS-09015</b>	6E0-42177-00	RUBBER, HANDLE	1
16	<b>5MHS-09016</b>	6E0-42137-10	INDICATOR, THROTTLE	1
17	<b>15FMH-11019</b>	90501-23215	SPRING, COMPRESSION	1
18	<b>15FMH-11018</b>	90201-10119	WASHER, PLATE	1
19	<b>15FMH-11017</b>	90149-05M13	SCREW	1
20	<b>15FMH-11015</b>	90269-02M09	RIVET	1
21	<b>5MHS-09021</b>	6E0-42138-01	LEVER, THROTTLE	1
22	<b>15FMH-11023</b>	6E0-42159-02	STAY	1
23	<b>5MHS-09011</b>	97885-05012	SCREW, PAN HEAD	2
24	<b>5MHS-09024</b>	6E0-26301-01	THROTTLE CABLE ASSY	1
25	<b>5MHS-09025</b>	6E4-44111-72-4D	HANDLE, GEAR SHIFT	1
26	<b>5MHS-09026</b>	93210-12327	O-RING	1
27	<b>5MHS-09027</b>	90206-16M06	WASHER, WAVE	1
28	<b>5MHS-09028</b>	90202-16061	WASHER, PLATE	1
29	<b>PNFM40E-12019</b>	6E0-44116-00	SPRING	1
30	<b>15FMH-12033</b>	95380-06700	NUT	1
31	<b>15FMH-09010</b>	97095-06012	BOLT	1
33	<b>5MHS-09033</b>	6E0-44121-00	LEVER, SHIFT ROD	1
34	<b>5MHS-02028</b>	95895-06025	BOLT, FLANGE	1
35	<b>5MHS-09035</b>	6E0-44143-00	ROD, SHIFT	1
36	<b>5MHS-03041</b>	92990-05600	WASHER, PLATE	1
37	<b>15FMH-11012</b>	91490-16010	PIN, COTTER	1
38	<b>5MHS-09038</b>	6E0-44145-00	CONNECTOR, SHIFT ROD	1
39	<b>5MHS-09039</b>	6E0-44146-00	CONNECTOR, SHIFT ROD	1
40	<b>15FMH-14004</b>	95895-06020	BOLT, FLANGE	1
41	<b>15FMH-11037</b>	6E0-83627-41	LABEL, CAUTION 7	1



1	5MHS-10001	6E0-45111-02-4D	CASING, UPPER	1
2	15FMH-02011	93606-12019	PIN, DOWEL	2
3	15FMH-02018	97095-06030	BOLT	7
5	15FMH-01008	97095-06016	BOLT	4
7	15FMH-12033	95380-06700	NUT	4
8	15FMH-14001	93700-06M03	NIPPLE, GREASE	1
9	5MHS-10009	647-45151-01	COVER, UPPER CASING	1

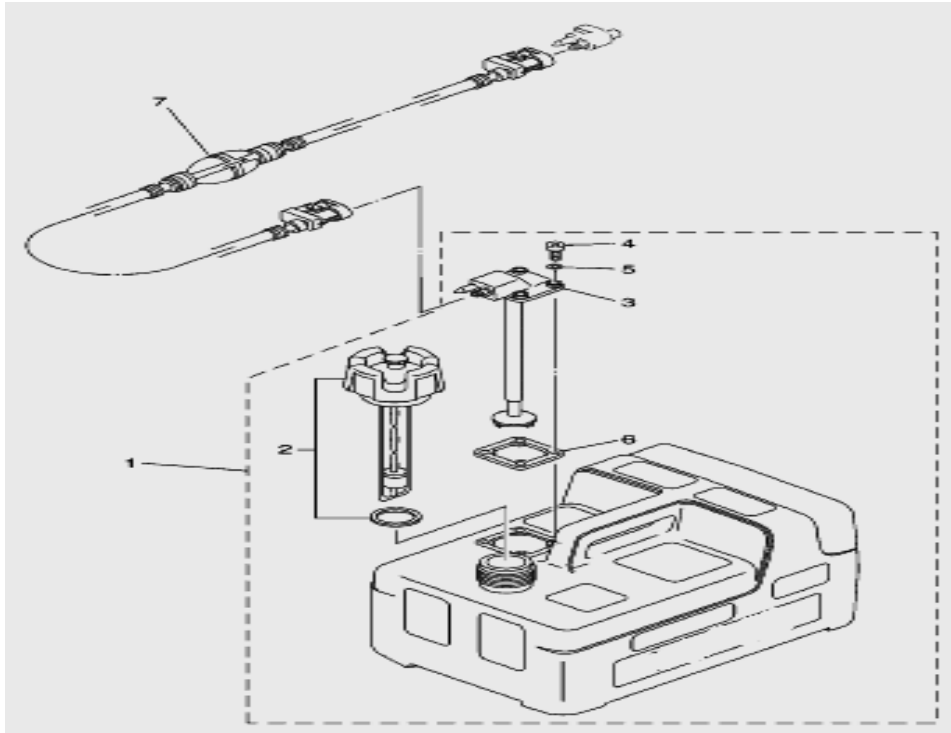
10	<b>5MHS-10010</b>	90480-10M13	GROMMET	1
11	<b>5MHS-10011</b>	6E0-43111-02-4D	BRACKET, CLAMP 1	1
12	<b>5MHS-10012</b>	6E0-43112-01-4D	BRACKET, CLAMP 2	1
13	<b>15FMH-13012</b>	620-43114-00	PAD, TRANSOM CLAMP	2
14	<b>3MHS-15013</b>	6E0-43116-01	SCREW, TRANSOM CLAMP	2
15	<b>15FMH-13009</b>	6E0-43118-01	HANDLE, TRANSOM CLAMP	2
16	<b>15FMH-13010</b>	90243-04M01	PIN	2
17	<b>5MHS-10017</b>	90101-08M07	BOLT	1
18	<b>PNFM40E-13025</b>	90201-08M03	WASHER, PLATE	2
19	<b>5MHS-10019</b>	6A1-43113-01	PLATE, CLAMP BRACKET	1
20	<b>15FMH-11008</b>	90185-08057	NUT, SELF-LOCKING	1
21	<b>5MHS-10021</b>	90387-06M11	COLLAR	1
22	<b>5MHS-10022</b>	90101-06335	BOLT	1
23	<b>5MHS-02020</b>	92990-06600	WASHER, PLATE	1
24	<b>15FMH-10014</b>	95380-06600	NUT, HEXAGON	1
25	<b>5MHS-10025</b>	6E0-43311-04-4D	BRACKET, SWIVEL 1	1
26	<b>5MHS-10026</b>	6E0-43312-02-4D	BRACKET, SWIVEL 2	1
27	<b>15FMH-14001</b>	93700-06M03	NIPPLE, GREASE	1
28	<b>15FMH-08007</b>	95895-06035	BOLT, FLANGE	4
29	<b>5MHS-10029</b>	6E0-43181-00	LEVER, TILT STOP	1
30	<b>5MHS-10030</b>	6E0-43632-00	KNOB, TILT	1
31	<b>5MHS-10031</b>	6E0-43313-00-94	BRACKET, SWIVEL 3	1
32	<b>5MHS-10032</b>	620-43189-00	BUSHING	2
33	<b>15FMH-14004</b>	95895-06020	BOLT, FLANGE	2
34	<b>5MHS-10034</b>	90508-16020	SPRING, TORSION	1
35	<b>5MHS-10035</b>	90508-16021	SPRING, TORSION	1
36	<b>5MHS-10036</b>	6E0-43160-01	TILT ROD ASSY	1
37	<b>15FMH-13026</b>	689-43165-00	PLATE, TILT LOCK	1
38	<b>15FMH-13028</b>	91690-30008	PIN, SPRING	1
39	<b>5MHS-10039</b>	6E0-43614-00-5B	PLATE, TILT LOCK	1
40	<b>5MHS-10040</b>	90508-14M10	SPRING, TORSION	1
41	<b>5MHS-10041</b>	90508-14M11	SPRING, TORSION	1
42	<b>5MHS-10042</b>	95895-06010	BOLT, FLANGE	2
43	<b>5MHS-10043</b>	6E0-42537-02	BUSHING, PIVOT SHAFT	1
44	<b>5MHS-10044</b>	6E0-42538-02	BUSHING, PIVOT SHAFT	1
45	<b>5MHS-10045</b>	6E0-42539-00	BUSHING, PIVOT SHAFT	1
46	<b>5MHS-10046</b>	6E0-42549-00	BUSHING, PIVOT SHAFT	1
47	<b>5MHS-10047</b>	6E0-42528-03	PLATE, FRICTION	1
48	<b>5MHS-10048</b>	95380-08600	NUT	1
49	<b>5MHS-10049</b>	90502-08M05	SPRING, CONICAL	1
50	<b>3MHS-15050</b>	6L5-42529-01	SCREW, FRICTION PIECE	1
51	<b>5MHS-10051</b>	6L5-42561-00	KNOB, STEERING LOCK	1
52	<b>3MHS-01026</b>	6L5-44196-00	INDICATOR 3	1
53	<b>3MHS-01027</b>	6L5-44197-00	INDICATOR 4	1
54	<b>15FMH-01004-2</b>	90266-04M05	RIVET	1



1	5MHS-11001	6E0-45300-03-4D	LOWER UNIT ASSY	1
2	5MHS-11002	6E0-45311-02-4D	CASING, LOWER	1
3	5MHS-11003	6E0-45317-09	BUSHING, DRIVE SHAFT	1
4	5MHS-11004	6E0-45316-09	BUSHING, DRIVE SHAFT	1
5	5MHS-11005	93101-10M14	OIL SEAL 10.8*21*7	2
6	5MHS-11006	93306-004U0	BEARING 6004/P5	1

7	5MHS-11007	6L5-45251-03	ANODE	1
8	15FMH-12028	95895-06012	BOLT, FLANGE	1
9	15FMH-17012	92990-06300	WASHER, INTERNAL TOOTH	1
10	15FMH-16009	90430-08020	GASKET	3
11	15FMH-16008	90340-08002	PLUG, STRAIGHT SCREW	3
12	15FMH-11027	90119-06M40	BOLT, WITH WASHER	2
13	5MHS-11013	90387-06M14	COLLAR	2
14	5MHS-11014	6E0-45321-01-5B	PLATE	1
15	5MHS-11015	6E0-45315-A0	PACKING, LOWER CASING	1
16	15FMH-10015	97095-06025	BOLT	1
18	5MHS-11018	6E0-45361-01-4D	CAP, LOWER CASING	1
19	5MHS-11019	93306-004U0	BEARING 6004/P6	1
20	5MHS-11020	93101-13M12	OIL SEAL 13*22*7	2
21	5MHS-11021	93210-48214	O-RING	1
22	5MHS-02023	95895-06016	BOLT, FLANGE	2
23	5MHS-11023	6E0-44311-00	HOUSING, WATER PUMP	1
24	5MHS-11024	6E0-44315-A0	GASKET, WATER PUMP	1
25	5MHS-11025	6E0-44322-02	INSERT, CARTRIDGE	1
26	5MHS-11026	6E0-44323-00	OUTER PLATE, CARTRIDGE	1
27	3MHS-16028	6E0-44366-00	DAMPER, WATER SEAL	1
28	5MHS-11028	6E0-44352-00	IMPELLER	1
29	5MHS-11029	93604-09066	PIN, DOWEL	1
30	5MHS-11030	97095-06045	BOLT	4
31	5MHS-11031	93604-18080	PIN, DOWEL	2
32	5MHS-11032	6E0-44328-00	PLATE	2
33	5MHS-11033	6E0-44361-00	TUBE, WATER	1
34	5MHS-11034	646-44365-00	DAMPER, WATER SEAL	1
35	5MHS-11035	6E0-45511-01	SHAFT, DRIVE	1
36	5MHS-11036	90467-08M01	CLIP	1
37	5MHS-11037	6E0-45551-00	PINION (13T)	1
38	5MHS-11038	99001-06600	CIRCLIP	1
39	5MHS-11039	90201-11M49	WASHER, PLATE	1
40	5MHS-11040	6E0-45560-00	GEAR 1 (27T)	1
41	5MHS-11041	6E0-45570-00	GEAR 2 (27T)	1
42	5MHS-11042	90201-13M50	WASHER, PLATE	1
43	5MHS-11043	6E0-45631-00	CLUTCH, DOG	1
46	5MHS-11046	90501-10064	SPRING, COMPRESSION	1
47	5MHS-11047	654-45635-00	PLUNGER, SHIFT	1
48	5MHS-11048	6E0-45611-01	SHAFT, PROPELLER	1
49	5MHS-11049	6L5-45987-01	SPACER	1
50	5MHS-11050	6L5-45616-00	NUT, PROPELLER	1
51	5MHS-11051	91490-25030	PIN, COTTER	1
52	PNFM40E-12011	90201-08M54	WASHER, PLATE	1
53	5MHS-11053	6E0-44150-00	SHIFT CAM ASSY	1
54	5MHS-11054	6G1-44147-00	BOOT, SHIFT ROD	1
55	5MHS-11055	6E0-45943-01-EL	PROPELLER (3x7-1/2"x7"-BA)	1

55		6E0-45941-01-EL	PROPELLER (3x7-1/2"x8"-BA)	1
----	--	-----------------	----------------------------	---



1	<b>5MHS-12000</b>	6YL-24201-02	FUEL TANK ASSY	1
2	<b>5MHS-12002</b>	6YL-24610-01	CAP ASSY	1
3	<b>5MHS-12003</b>	6YL-24260-01	FUEL METER ASSY	1
4	<b>15FMH-18024</b>	90157-05016	SCREW, PAN HEAD	4
5	<b>15FMH-18025</b>	6Y1-24329-00	SEAL	4
6	<b>15FMH-18026</b>	6Y1-24268-01	GASKET, FUEL METER	1
7	<b>15FMH-18028</b>	6YL-24306-53	FUEL PIPE COMP. 1	1